



Application Catalogue

Number 61 | January 2025

OME Features

NITROCHARGER SPORT SHOCK ABSORBERS

LARGE BORE 35MM TWIN TUBE DESIGN

Allows greater oil volume for cooling and sustained valving performance and strong 1.6mm outer tube construction protects the vital internal components from damage.

LARGE 18MM HARDENED CHROME PISTON ROD

Strong enough to handle any load or harsh conditions expected from your 4x4.

TRIPLE LIP CHECK VALVE OIL SEAL – MK2

The latest technology in oil seal design – physically larger with quantum improvements in durability, oil and gas retention with much greater resistance to heat so it keeps working under the harshest conditions.

TEFLON-IMPREGNATED LOW FRICTION ROD GUIDE

The latest refinement in rod guide design further reduces heat build-up and maintains performance.

TEFLON-INFUSED BRONZE ROD GUIDE SLIP RING

A new component that maintains consistent and uniform performance by providing a tight and uniform fit between the piston rod and rod guide.

MULTI DEFLECTIVE DISC VALVING SYSTEM

A unique and new valving system that features multiple disc valving control at the base of the shock and on both sides of the piston rod. This allows the OME engineers more valving options for better ride quality and handling control.

35MM HIGH FLOW TEFLON-BANDED PISTON

New low friction design has less restrictive oil flow through the piston, reduces heat build-up and aeration of the oil that leads to fade.

VEHICLE-SPECIFIC VALVING

OME shock absorbers performance stand head and shoulders over its competitors because many hours of OME engineering valving work have been put into each and every shock absorber to ensure our customers get the best ride and handling their vehicle can have.

POLYETHYLENE DIRT SHIELD

Impact-resistant, polyethylene dirt shield provides additional protection from stone chips and off road debris.

NITROGEN GAS

Increases the temperature operating range and improves oil flow through the valving, ensuring optimum performance.

SUPPLEMENTARY WELDS

For strength and reliability, all mounts have supplementary welds.

NITROCHARGER SHOCK ABSORBERS

GIANT 18MM CHROMED SHAFT

Indestructible for Australia's rugged off roading. Induction hardened then hard chromed to a superfine finish.

NITROGEN GAS

The gas pressure keeps the oil cohesive under all situations.

TWIN TUBE DESIGN

33% thicker outer tube insures that rocks do not damage internal operating components. This design also allows for a greater volume of oil, which keeps the shock cooler.

35MM SEVEN STAGE COMPRESSION VALVE

Delivers all the subtleties of compression rates for the best ride and handling.

CHECK VALVE SEAL

The latest in seal technology, this shaft seal significantly improves gas retention whilst offering excellent longevity.

GLACIER BUSH

A Teflon-coated rod guide bush significantly reduces heat build-up in the rod guide area, developed from the Emu's off road racing program.

GIANT 35MM TEFLON-BANDED PISTON

A new four-stage coil-sprung rebound valve system to control vehicle bounce.

SUPPLEMENTARY WELDS

On all mounting eyes and pins for maximum shock absorber mount strength.

STONEGUARD

Protects oil seal and piston rod against stone and dirt damage.

X5K MICRO-ALLOYED SPRING STEEL

New generation high strength spring steel grade designed to withstand higher operating stresses with superior resistance to sag and improved toughness and corrosion fatigue properties.

COIL SPRINGS

SHOT-PEENED

To reduce stress, which greatly enhances spring life.

DOUBLE-SCRAGGED

To eliminate spring sag.

VARIABLE AND CONSTANT RATE

Designs used to obtain optimum ride comfort and load-carrying capabilities.

COIL SPRUNG 9 STAGE VALVING

For optimum performance.

STEERING STABILISERS

35MM PISTON & BORE

Greater oil volume giving better damper performance.

TWIN TUBE DESIGN

Protects the internal components against stone damage.

STEEL STONEGUARD

Protects the piston rod against stone damage.

FOAM CELL

Keeps the oil at the valving to prevent fade.

ORIGINAL MOUNTS

All mounts are of similar design to original stabilisers for ease of fitment.

LEAF SPRINGS

FLAT AXLE SEAT AREA

Lowers spring stress whilst retaining spring-free camber height. Unique to most OME springs.

ANTI-FRICTION INTERLEAF LINERS

Used where applicable to reduce friction between spring leaves, giving better ride comfort and increased spring life.

SHOT-PEENED

On the tension side of all leaves to double spring life.

DRAW-TAPERED & DIAMOND CUT LEAVES

For reduced interleaf friction and improved load distribution in the load-bearing area.

GRAPHITE-COATED

For further reduced friction.

MILITARY-WRAPPED

For extra safety (where fitment permits).

LOOSE-CLAMPED

For smooth and quiet operation.

URETHANE BUSHES - LEAF SPRING

PREMIUM GRADE

Not all bushes are the same - OME bushes are precision moulded in captive moulds to ensure exact tolerances for long bush life.

SPLINES

Ensures the best fit by taking up irregularities in spring eyes.

UNIQUE OME DESIGN

Clever lip seal and shoulder design prevents dirt penetrating between bush shoulder and shackle face.

GREASEABLE SHACKLES

REDUCED WEAR

Greasable shackles reduce shackle pin deterioration, increase bush life, enable easy maintenance and improve ride and handling.

ANTI-INVERSION FACILITY

Built-in feature on all LandCruiser greaseable shackles.

SERVICING

Simple and effective.

WARRANTY

For a copy of ARB's Warranty Policy, ARB Products: Warranty Against Defects, please visit the ARB website.

www.arb.com.au

CONTENTS

	PAGE
GUIDE TO SELECTION	3
GVM UPGRADES.....	4
GVM UPGRADES - HISTORICAL REFERENCE.....	26
SUSPENSION APPLICATIONS	
ARMOURED APPLICATIONS	60
CHRYSLER / JEEP	61
FORD	82
HOLDEN / ISUZU / GM / GMC / CHEVROLET	103
GREAT WALL MOTOR.....	114
HUMMER	115
HYUNDAI	116
KIA	117
LADA.....	118
LAND ROVER	119
MAZDA	127
MERCEDES-BENZ	132
MITSUBISHI	133
NISSAN	149
SSANGYONG	173
SUZUKI	174
TOYOTA	184
VOLKSWAGEN	252
TECHNICAL SPECIFICATIONS	
SUSPENSION BUSH KIT SELECTION	255
DIAGRAM REFERENCE FOR SUSPENSION BUSH KITS	261
NUMERICAL SPRING & SHOCK / STRUT BUSH APPLICATIONS	263
OLD MAN EMU POLYURETHANE SPRING BUSH DIMENSIONS	268
SUSPENSION FITTING KITS	270
LEAF SPRING SERVICE PARTS	278
REPLACEMENT MAIN OR SECOND LEAF	283
U BOLTS	284
REPLACEMENT CENTRE BOLTS	286
LEAF SPRING SPECIFICATIONS	287
COIL SPRING SPECIFICATIONS	291
BP-51 SPECIFICATIONS	301
BP-51 SPARE PARTS	303
MT-64 SPECIFICATIONS.....	305
NITROCHARGER PLUS SPECIFICATIONS	306
CONTROL ARMS.....	311
STEERING STABILISER SPECIFICATIONS	312
AIR BAGS.....	313
RECOMMENDED FITTING TIMES	314
FIT TIMES BY VEHICLE	315

Terminologies & Explanations

Please note most suspension development has been carried out on Australian specification models. Therefore, some differences may exist between the same model in another country. Overseas customers will need to make allowances for these possible differences.

Supplying all items shown on suspension selection charts will ensure the system can be fitted, however, there will be vehicles which will not require all items, eg. trimming kits, caster kits, all U bolts shown, etc. Actual, individual vehicle requirements can only be determined when the suspension system is fitted.

Vehicle Region:

Domestic (AUS)	Indicates the suspension system was developed in Australia on an Australian vehicle, compatibility outside of Australia will need to be confirmed.
International (USA)	Indicates the suspension was developed in the USA on a USA vehicle, compatibility outside the USA will need to be confirmed.
Global	Indicates the suspension was developed in Australia on a Global platform, it is still recommended to confirm compatibility outside of Australia due to the variance of vehicles around the globe.

GVM - GROSS VEHICLE MASS: Set by the vehicle manufacturer and is determined by brake, axle, differential and tyre specifications. Exceeding GVM ratings can have legal and safety implications and is not recommended.

LOAD RATING:

FRONT: Weights shown are maximum permissible loads with regard to accessories fitted, eg. Bull bar, winch, dual battery, etc.

REAR: The explanations below indicates the passenger and load weights that will provide optimum ride and handling.

LIGHT LOAD: Full passenger load with luggage weights up to 150kg.

MEDIUM LOAD: Full passenger load with luggage weight varying from 200kg to 350kg.

HEAVY LOAD: Full passenger load with luggage weight varying from 350kg to 500kg.

CONSTANT LOAD: The minimum constant load shown on selection chart is required for optimum spring performance.

Please note: These loads are approximate only. Refer to individual vehicle selection for load specifications.

LIFT HEIGHT: Is shown as a guide only and equates to the amount of lift over the vehicle's original ride height. This amount can vary from vehicle to vehicle.

OE: Original Equipment, as supplied by the manufacturer of the vehicle.

***SHOCK ABSORBERS*:** Where two part numbers are given for the same application the part with the asterisk (*) indicates the shock absorber with the firmer ride.

SPRING BUSH: OME polyurethane spring eye bushes on installation must only be greased in the bore and on the flange area and regularly thereafter with OME polyurethane grease.

STEERING STABILISER: Designed as a larger capacity replacement for the OE part and incorporates 50/50 neutral valving.

CASTER KIT: The OMECA77B, CALR1 and CALR2 kits consist of 4 eccentric bushes which are pressed into the leading arms of the vehicle. This will induce positive caster into the front geometry.

LEAF SPRINGS: A & B springs can be used to compensate for uneven vehicle weight distribution. Springs marked "A" have a greater camber height than springs marked "B". 'A' type springs are generally fitted to the driver's side and 'B' springs to the passenger side. Where two spring rates are listed for one spring the spring is progressive.

COIL SPRINGS: A & B springs are used to compensate for uneven vehicle weight distribution. 'A' type springs are generally higher in free high than the 'B' spring. Individual coil specifications are listed in the back of this publication. Where two spring rates are listed for one spring the spring is progressive.

GEARBOX PACKER KIT: Designed to space down the gearbox cross member from the chassis to reduce tail shaft flange angle thereby reducing driveline vibration.

GREASABLE SHACKLES: Replacement for original shackles allow easy regular greasing of polyurethane spring eye bushes.

TRIM PACKERS: The prime purpose of a trim packer is to correct slight vehicle leaning.

VEHICLES WITH LEAF SPRINGS UNDER SLUNG: Trim packer when fitted will reduce suspension height.

VEHICLES WITH LEAF SPRINGS OVER SLUNG: Trim packer when fitted will increase suspension height.

VEHICLES WITH COIL SPRINGS: Polyurethane trim packer main purpose is to correct slight vehicle trimming problems and will increase ride height when fitted.

GVM UPGRADE - FORD

RANGER PY 2022 ON

AUSTRALIA ONLY

OE GVM		3190kg to 3350kg	FOR PRE REGISTERED VEHICLES ONLY		
Upgraded GVM		3650kg	SEATING CAPACITY: 2, 4, 5		
RVSA Approval Number		VTA-060700 (NB1)	*SPECIAL REQUIREMENTS*		
Compliance Kit Number		RAN3650	NOTE: Warning Labels part numbers 215738/215739/215776, Tyre placard part number 215973, are supplied with compliance kits.		
Axle Loads	Front OE	1450kg - 1490kg	Front Upgraded	1640kg	
	Rear OE	1959kg	Rear Upgraded	2100kg	
VEHICLE VARIANTS 4X4 & 4X2 HI-RIDER					
DESCRIPTION	BODY STYLE	ENGINE	TRANSMISSION	TYRE DESIGNATION	RIM SIZE
Dual Cab	Utility	2.0 Diesel	Automatic	255/70R16	16x7J
		3.0 Diesel		255/70R17	17X7.5J
				255/65R18	18X7.5J
				255/55R20	20x8.0J
Dual Cab / Super Cab / Single Cab	Cab Chassis	2.0 Diesel	Automatic	255/70R16	16x7J
		3.0 Diesel		255/70R17	17X7.5J
				255/65R18	18X7.5J
Super Cab	Utility	2.0 Diesel	Automatic	255/70R16	16x7J
				255/70R17	17X7.5J
				255/65R18	18X7.5J

SUSPENSION SELECTION

CAT6 INDICATORS ARE REQUIRED		
DESCRIPTION	PART NUMBER	QTY
CAT 6 Indicators	OMELT0002	2
Wiring Harness	6821446	1
Fitment time: 1 hour		

FRONT SELECTION	
DESCRIPTION	PART NUMBER
NITROCHARGER SPORT	
NO ACCESSORIES	3207
BAR ONLY	3208
BAR & WINCH	3209
BAR/ WINCH & ACCESSORIES	3210
NO ACCESSORIES - 20mm lift	3211
NITROCHARGER SPORT	*90053 / 90052
NITROCHARGER PLUS / MT64	
SPRING 40mm	4024
SPRING 20mm	4028
STRUT - NITROCHARGER PLUS	*93053 / 93052
STRUT - MT64	MT64902001
STRUT - MT64 HEAVY VALVED	*MT64902002
BP-51	
BP-51 COIL OVER RH	BP5190015R
BP-51 COIL OVER LH	BP5190015L
BP-51 FRONT FIT KIT	VM80010053
FIT KITS & HARDWARE	
UPPER CONTROL ARM (optional)	UCA0009
TRIM PACKER (if required)	FK112

REAR SELECTION	
DESCRIPTION	PART NUMBER
LEAF SPRINGS	
MULTI-LEAF CONSTANT 600kg	EL132R
EXTRA LEAF (if required)	EL48XL + ELSK15
PARABOLIC CONSTANT 600KG	PB013R
AIR BAG KIT (MANDATORY)	OMEAB004
NITROCHARGER SHOCKS	
NITROCHARGER SPORT	*60178 / 60173
NITROCHARGER PLUS	*63178 / 63173
MT64	
SHOCK	MT64602003L/R
SHOCK - HEAVY VALVED	MT64602004L/R
BP-51	
BP-51 SHOCK RH	BP5160055R
BP-51 SHOCK LH	BP5160055L
BP-51 REAR FIT KIT	VM80010052
FIT KITS & HARDWARE	
U BOLTS	OMEU82
	OMEU83
SPRING BUSH KIT	OMESB117
GREASEABLE SHACKLE BUSH KIT (optional)	OMESB118
GREASABLE SHACKLE KIT (optional)	OMEGS20
GREASABLE PIN KIT (optional)	OMEGP10
DRIVELINE SPACER KIT (if required)	FK113
HEADLIGHT SENSOR BRACKET (if required)	FK114
BUMP STOP ADAPTER KIT (if required)	FK115

NOTE: There is a choice of front and rear springs depending on the set up of the particular vehicle. Please read comments relating to fitment of components. For all information refer to the vehicle specific selection page.

GVM UPGRADE - FORD

RANGER PY 2022 ON

AUSTRALIA ONLY

OE GVM		3190kg to 3350kg	FOR PRE REGISTERED VEHICLES ONLY		
Upgraded GVM		3500kg	SEATING CAPACITY: 2, 4, 5		
RVSA Approval Number		VTA-060701 (NA)	*SPECIAL REQUIREMENTS*		
Compliance Kit Number		RAN3500	Minimum of 300kg permanently carried load at all times.		
			NOTE: Axle Upgrade label part number 215781, Tyre Placard part number 215972 are supplied with compliance kits.		
Axle Loads	Front OE	1450kg - 1490kg	Front Upgraded	1640kg	
	Rear OE	1959kg	Rear Upgraded	2020kg	
VEHICLE VARIANTS 4X4 & 4X2 HI-RIDER					
DESCRIPTION	BODY STYLE	ENGINE	TRANSMISSION	TYRE DESIGNATION	RIM SIZE
Dual Cab	Utility	2.0 Diesel	Automatic	255/70R16	16x7J
		3.0 Diesel	Manual	255/70R17	17X7.5J
				255/65R18	18X7.5J
				255/55R20	20x8.0J
Dual Cab / Super Cab / Single Cab	Cab Chassis	2.0 Diesel	Automatic	255/70R16	16x7J
		3.0 Diesel	Manual	255/70R17	17X7.5J
				255/65R18	18X7.5J
Super Cab	Utility	2.0 Diesel	Automatic	255/70R16	16x7J
			Manual	255/70R17	17X7.5J
				255/65R18	18X7.5J

SUSPENSION SELECTION

FRONT SELECTION	
DESCRIPTION	PART NUMBER
NITROCHARGER SPORT	
NO ACCESSORIES	3207
BAR ONLY	3208
BAR & WINCH	3209
BAR/ WINCH & ACCESSORIES	3210
NO ACCESSORIES - 20mm lift	3211
NITROCHARGER SPORT	*90053 / 90052
NITROCHARGER PLUS / MT64	
SPRING 40mm	4024
SPRING 20mm	4028
STRUT - NITROCHARGER PLUS	*93053 / 93052
STRUT - MT64	MT64902001
STRUT - MT64 HEAVY VALVED	*MT64902002
BP-51	
BP-51 COIL OVER RH	BP5190015R
BP-51 COIL OVER LH	BP5190015L
BP-51 FRONT FIT KIT	VM80010053
FIT KITS & HARDWARE	
UPPER CONTROL ARM (optional)	UCA0009
TRIM PACKER (if required)	FK112

REAR SELECTION		
DESCRIPTION	PART NUMBER	
LEAF SPRINGS		
MULTI-LEAF CONSTANT 300kg	EL131R	
MULTI-LEAF CONSTANT 600kg	EL132R	
EXTRA LEAF (if required)	EL48XL+ELSK15	
PARABOLIC CONSTANT 300kg	PB012R	
PARABOLIC CONSTANT 600kg	PB013R	
AIRBAG KIT (MANDATORY)	OMEAB004	
NITROCHARGER SHOCKS	SPORT	PLUS
	60172	63172
	60173	63173
	60178	63178
MT64		
SHOCK	MT64602003L/R	
SHOCK - HEAVY VALVED	MT64602004L/R	
BP-51		
BP-51 SHOCK RH	BP5160055R	
BP-51 SHOCK LH	BP5160055L	
BP-51 REAR FIT KIT	VM80010052	
FIT KITS & HARDWARE		
U BOLTS	OMEU82	
	OMEU83	
SPRING BUSH KIT	OMESB117	
GREASEABLE SHACKLE BUSH KIT (optional)	OMESB118	
GREASABLE SHACKLE KIT (optional)	OMEGS20	
GREASABLE PIN KIT (optional)	OMEGP10	
DRIVELINE SPACER KIT (if required)	FK113	
HEADLIGHT SENSOR BRACKET (if required)	FK114	
BUMP STOP ADAPTER KIT (if required)	FK115	

NOTE: There is a choice of front and rear springs depending on the set up of the particular vehicle. Please read comments relating to fitment of components. For all information refer to the vehicle specific selection page.

GVM UPGRADE - FORD

RANGER PY 2022 ON

AUSTRALIA ONLY

OE GVM		3190kg to 3350kg		FOR PRE REGISTERED VEHICLES ONLY	
Upgraded GVM		3440kg		SEATING CAPACITY: 2, 4, 5	
RVSA Approval Number		VTA-060701 (NA)			
Compliance Kit Number		RAN3440			
Axle Loads	Front OE	1450kg - 1490kg		Front Upgraded	1450kg - 1490kg
	Rear OE	1959kg		Rear Upgraded	1959kg
VEHICLE VARIANTS 4X4 & 4X2 HI-RIDER					
DESCRIPTION	BODY STYLE	ENGINE	TRANSMISSION	TYRE DESIGNATION	RIM SIZE
Dual Cab	Utility	2.0 Diesel	Automatic	255/70R16	16x7J
		3.0 Diesel	Manual	255/70R17	17X7.5J
				255/65R18	18X7.5J
				255/55R20	20x8.0J
Dual Cab / Super Cab / Single Cab	Cab Chassis	2.0 Diesel	Automatic	255/70R16	16x7J
		3.0 Diesel	Manual	255/70R17	17X7.5J
				255/65R18	18X7.5J
Super Cab	Utility	2.0 Diesel	Automatic	255/70R16	16x7J
			Manual	255/70R17	17X7.5J
				255/65R18	18X7.5J

SUSPENSION SELECTION

FRONT SELECTION	
DESCRIPTION	PART NUMBER
NITROCHARGER PLUS / MT64	
SPRING 40mm	4024
SPRING 20mm	4028
STRUT - NITROCHARGER PLUS	*93053 / 93052
STRUT - MT64	MT64902001
STRUT - MT64 HEAVY VALVED	*MT64902002
BP-51	
BP-51 COIL OVER RH	BP5190015R
BP-51 COIL OVER LH	BP5190015L
BP-51 FRONT FIT KIT	VM80010053
FIT KITS & HARDWARE	
UPPER CONTROL ARM (optional)	UCA0009
TRIM PACKER (if required)	FK112

NOTE: There is a choice of front and rear springs depending on the set up of the particular vehicle. Please read comments relating to fitment of components. For all information refer to the vehicle specific selection page.

REAR SELECTION	
DESCRIPTION	PART NUMBER
LEAF SPRINGS	
MULTI-LEAF MEDIUM LOAD	EL130R
MULTI-LEAF CONSTANT 300kg	EL131R
EXTRA LEAF (if required)	EL48XL+ELSK15
PARABOLIC MEDIUM LOAD	PB011R
PARABOLIC CONSTANT 300kg	PB012R
AIR BAG KIT	OMEAB004
NITROCHARGER PLUS	
SHOCK	63172
SHOCK - HEAVY VALVED (300kg +)	63173
MT64	
SHOCK	MT64602003L/R
SHOCK - HEAVY VALVED	MT64602004L/R
BP-51	
BP-51 SHOCK RH	BP5160055R
BP-51 SHOCK LH	BP5160055L
BP-51 REAR FIT KIT	VM80010052
FIT KITS & HARDWARE	
U BOLTS	OMEU82
	OMEU83
SPRING BUSH KIT	OMESB117
GREASEABLE SHACKLE BUSH KIT (optional)	OMESB118
GREASABLE SHACKLE KIT (optional)	OMEGS20
GREASABLE PIN KIT (optional)	OMEGP10
DRIVELINE SPACER KIT (if required)	FK113
HEADLIGHT SENSOR BRACKET (if required)	FK114
BUMP STOP ADAPTER KIT (if required)	FK115

GVM UPGRADE - FORD

RANGER PY 2022 ON

AUSTRALIA ONLY

OE GVM		3190kg to 3350kg	FOR PRE REGISTERED VEHICLES ONLY		
Upgraded GVM		3390kg & 3400kg	SEATING CAPACITY: 2, 4, 5		
RVSA Approval Number		VTA-060701 (NA)	Platinum = 3390kg		
Compliance Kit Number		RAN3400	All other variants = 3400kg		
Axle Loads	Front OE	1450kg - 1490kg	Front Upgraded	1450kg - 1490kg	
	Rear OE	1959kg	Rear Upgraded	1959kg	
VEHICLE VARIANTS 4X4 & 4X2 HI-RIDER					
DESCRIPTION	BODY STYLE	ENGINE	TRANSMISSION	TYRE DESIGNATION	RIM SIZE
Dual Cab	Utility	2.0 Diesel	Automatic	255/70R16	16x7J
		3.0 Diesel	Manual	255/70R17	17X7.5J
				255/65R18	18X7.5J
				255/55R20	20x8.0J
Dual Cab / Super Cab / Single Cab	Cab Chassis	2.0 Diesel	Automatic	255/70R16	16x7J
		3.0 Diesel	Manual	255/70R17	17X7.5J
				255/65R18	18X7.5J
Super Cab	Utility	2.0 Diesel	Automatic	255/70R16	16x7J
			Manual	255/70R17	17X7.5J
				255/65R18	18X7.5J

SUSPENSION SELECTION

FRONT SELECTION	
DESCRIPTION	PART NUMBER
NITROCHARGER PLUS / MT64	
SPRING 40mm	4024
SPRING 20mm	4028
STRUT - NITROCHARGER PLUS	*93053 / 93052
STRUT - MT64	MT64902001
STRUT - MT64 HEAVY VALVED	*MT64902002
BP-51	
BP-51 COIL OVER RH	BP5190015R
BP-51 COIL OVER LH	BP5190015L
BP-51 FRONT FIT KIT	VM80010053
FIT KITS & HARDWARE	
UPPER CONTROL ARM (optional)	UCA0009
TRIM PACKER (if required)	FK112

NOTE: There is a choice of front and rear springs depending on the set up of the particular vehicle. Please read comments relating to fitment of components. For all information refer to the vehicle specific selection page.

REAR SELECTION	
DESCRIPTION	PART NUMBER
LEAF SPRINGS	
MULTI-LEAF MEDIUM LOAD	EL130R
MULTI-LEAF CONSTANT 300kg	EL131R
EXTRA LEAF (if required)	EL48XL+ELSK15
PARABOLIC MEDIUM LOAD	PB011R
PARABOLIC CONSTANT 300kg	PB012R
AIR BAG KIT	OMEAB004
NITROCHARGER PLUS	
SHOCK	63172
SHOCK - HEAVY VALVED (300kg +)	63173
MT64	
SHOCK	MT64602003L/R
SHOCK - HEAVY VALVED	MT64602004L/R
BP-51	
BP-51 SHOCK RH	BP5160055R
BP-51 SHOCK LH	BP5160055L
BP-51 REAR FIT KIT	VM80010052
FIT KITS & HARDWARE	
U BOLTS	OMEU82
	OMEU83
SPRING BUSH KIT	OMESB117
GREASEABLE SHACKLE BUSH KIT (optional)	OMESB118
GREASABLE SHACKLE KIT (optional)	OMEGS20
GREASABLE PIN KIT (optional)	OMEGP10
DRIVELINE SPACER KIT (if required)	FK113
HEADLIGHT SENSOR BRACKET (if required)	FK114
BUMP STOP ADAPTER KIT (if required)	FK115

GVM UPGRADE - FORD

EVEREST NEXT-GEN 2022 ON

AUSTRALIA ONLY

OE GVM		3100kg - 3150kg		FOR PRE REGISTERED VEHICLES ONLY	
Upgraded GVM		3240kg		SEATING CAPACITY: 5 & 7	
RVSA Approval Number		VTA-063415 (MC)			
Compliance Kit Number		EVT3240			
Axle Loads	Front OE	1470kg	Front Upgraded	1470kg	
	Rear OE	1770kg	Rear Upgraded	1770kg	
VEHICLE VARIANTS 4X4					
DESCRIPTION	BODY STYLE	ENGINE	TRANSMISSION	TYRE DESIGNATION	RIM SIZE
All Variants	Wagon	3.0 Diesel	Automatic	255/55R20	20x8.0J
		2.0 Diesel		255/65R18	18x7.5J
				255/70R17	17x7.5J
				275/45R21	21x8.5J

SUSPENSION SELECTION

FRONT SELECTION	
DESCRIPTION	PART NUMBER
NITROCHARGER PLUS & MT64	
SPRING 40mm	4024
SPRING 20mm	4037
STRUT - NITROCHARGER PLUS	*93053 / 93052
STRUT - MT64	MT64902005
STRUT - MT64 Firm	*MT64902006
BP-51	
BP-51 COIL OVER RH	BP5190015R
BP-51 COIL OVER LH	BP5190015L
BP-51 FRONT FIT KIT	VM80010053
FIT KITS & HARDWARE	
UPPER CONTROL ARM (optional)	UCA0009
UPPER CONTROL ARM (optional)	UCA0015
TRIM PACKER (if required)	FK112
REVERSE LIGHT KIT (Ambiente 40mm)	FK129

REAR SELECTION	
DESCRIPTION	PART NUMBER
COIL SPRINGS	
MEDIUM LOAD - 40mm	3212
CONSTANT 200kg - 40mm	3213
CONSTANT 400kg - 40mm	3214
MEDIUM LOAD - 20mm	3232
NITROCHARGER SHOCKS	
NITROCHARGER PLUS	*63175 / 63174
MT64 SHOCKS	
MT64	MT64602007
MT64 Firm	*MT64602008
BP-51 SHOCKS	
BP-51 SHOCK RH	BP5160064R
BP-51 SHOCK LH	BP5160064L
BP-51 REAR FIT KIT	VM80010064

NOTE: There is a choice of front and rear springs depending on the set up of the particular vehicle. Please read comments relating to fitment of components. For all information refer to the vehicle specific selection page.

GVM UPGRADE - FORD

EVEREST NEXT-GEN 2022 ON

AUSTRALIA ONLY

OE GVM		3100kg - 3150kg	FOR PRE REGISTERED VEHICLES ONLY		
Upgraded GVM		3500kg	SEATING CAPACITY: 5 & 7		
RVSA Approval Number		VTA-063415 (MC)	NOTE: Warning Labels part numbers 215738/215739/215988, Tyre placard part number 215989, are supplied with compliance kits.		
Compliance Kit Number		EVT3500			
Axle Loads	Front OE	1470kg	Front Upgraded	1640kg	
	Rear OE	1770kg	Rear Upgraded	2000kg	
VEHICLE VARIANTS 4X4					
DESCRIPTION	BODY STYLE	ENGINE	TRANSMISSION	TYRE DESIGNATION	RIM SIZE
All Variants	Wagon	3.0 Diesel	Automatic	255/55R20	20x8.0J
		2.0 Diesel		255/65R18	18x7.5J
				255/70R17	17x7.5J
				275/45R21	21x8.5J

SUSPENSION SELECTION

FRONT SELECTION	
DESCRIPTION	PART NUMBER
NITROCHARGER PLUS & MT64	
SPRING 40mm	4024
STRUT - NITROCHARGER PLUS	*93053 / 93052
STRUT - MT64	MT64902005
STRUT - MT64 Firm	*MT64902006
BP-51	
BP-51 COIL OVER RH	BP5190015R
BP-51 COIL OVER LH	BP5190015L
BP-51 FRONT FIT KIT	VM80010053
FIT KITS & HARDWARE	
UPPER CONTROL ARM (optional)	UCA0009
UPPER CONTROL ARM (optional)	UCA0015
TRIM PACKER (if required)	FK112
REVERSE LIGHT KIT (Ambiente 40mm)	FK129

REAR SELECTION	
DESCRIPTION	PART NUMBER
COIL SPRINGS	
CONSTANT 200kg	3213
CONSTANT 400kg	3214
NITROCHARGER SHOCKS	
NITROCHARGER PLUS	*63175 / 63174
MT64 SHOCKS	
MT64	MT64602007
MT64 Firm	*MT64602008
BP-51	
BP-51 SHOCK RH	BP5160064R
BP-51 SHOCK LH	BP5160064L
BP-51 REAR FIT KIT	VM80010064

NOTE: There is a choice of front and rear springs depending on the set up of the particular vehicle. Please read comments relating to fitment of components. For all information refer to the vehicle specific selection page.

GVM UPGRADE - FORD

EVEREST NEXT-GEN 2022 ON

AUSTRALIA ONLY

OE GVM		3100kg - 3150kg	FOR PRE REGISTERED VEHICLES ONLY		
Upgraded GVM		3640kg	SEATING CAPACITY: 5 & 7		
RVSA Approval Number		VTA-063415 (MC)	NOTE: Warning Labels part numbers 215738/215739/215990, Tyre placard part number 215989, are supplied with compliance kits.		
Compliance Kit Number		EVT3640			
Axle Loads	Front OE	1470kg	Front Upgraded	1640kg	
	Rear OE	1770kg	Rear Upgraded	2000kg	
VEHICLE VARIANTS 4X4					
DESCRIPTION	BODY STYLE	ENGINE	TRANSMISSION	TYRE DESIGNATION	RIM SIZE
All Variants	Wagon	3.0 Diesel	Automatic	255/55R20	20x8.0J
		2.0 Diesel		255/65R18	18x7.5J
				255/70R17	17x7.5J
				275/45R21	21x8.5J

SUSPENSION SELECTION

FRONT SELECTION	
DESCRIPTION	PART NUMBER
NITROCHARGER PLUS & MT64	
SPRING 40mm	4024
STRUT - NITROCHARGER PLUS	*93053 / 93052
STRUT - MT64	MT64902005
STRUT - MT64 Firm	*MT64902006
BP-51	
BP-51 COIL OVER RH	BP5190015R
BP-51 COIL OVER LH	BP5190015L
BP-51 FRONT FIT KIT	VM80010053
FIT KITS & HARDWARE	
UPPER CONTROL ARM (optional)	UCA0009
UPPER CONTROL ARM (optional)	UCA0015
TRIM PACKER (if required)	FK112
REVERSE LIGHT KIT (Ambiente 40mm)	FK129

REAR SELECTION	
DESCRIPTION	PART NUMBER
COIL SPRINGS	
CONSTANT 200kg	3213
CONSTANT 400kg	3214
NITROCHARGER SHOCKS	
NITROCHARGER PLUS	*63175 / 63174
MT64 SHOCKS	
MT64	MT64602007
MT64 Firm	*MT64602008
BP-51	
BP-51 SHOCK RH	BP5160064R
BP-51 SHOCK LH	BP5160064L
BP-51 REAR FIT KIT	VM80010064

NOTE: There is a choice of front and rear springs depending on the set up of the particular vehicle. Please read comments relating to fitment of components. For all information refer to the vehicle specific selection page.

GVM UPGRADE - ISUZU

DMAX 2021 ON 4X4 AND 4X2 HI-RIDER

AUSTRALIA ONLY

OE GVM		3100kg	FOR PRE REGISTERED VEHICLES ONLY		
Upgraded GVM		3500kg	SEATING CAPACITY: 2, 5		
RVSA Approval Number		VTA-060161 (NA)	*SPECIAL REQUIREMENTS*		
Compliance Kit Number		DM3500	Minimum of 600kg permanently carried load at all times.		
		NOTE: Warning Labels, part numbers 215758/38/39, supplied with compliance kits. For specific placement locations refer to PIB Release No.1587			
Axle Loads	Front OE	1450kg	Front Upgraded	1595kg	
	Rear OE	1910kg	Rear Upgraded	2100kg	
VEHICLE VARIANTS - 4X4 AND 4X2 HI-RIDER					
DESCRIPTION	BODY STYLE	ENGINE	TRANSMISSION	TYRE DESIGNATION	RIM SIZE
Crew Cab	Utility	3.0 Diesel	Manual Automatic	255/65/R17 265/60/R18	17x7J 18x7.5J
Crew Cab	Cab Chassis	3.0 Diesel	Manual Automatic	255/65/R17	17x7J
Space Cab	Utility	3.0 Diesel	Automatic	255/65/R17 265/60/R18	17x7J 18x7.5J
Space Cab	Cab Chassis	3.0 Diesel	Manual Automatic	255/65/R17	17x7J
Single Cab	Cab Chassis	3.0 Diesel	Manual Automatic	255/65/R17	17x7J

SUSPENSION SELECTION

FRONT SELECTION	
DESCRIPTION	PART NUMBER
NITROCHARGER PLUS	
STRUTS	*93046 / 93045
SPRINGS	4001
BP-51	
BP-51 COIL OVER RH	BP5190014R
BP-51 COIL OVER LH	BP5190014L
BP-51 FRONT FIT KIT	VM80010044
FIT KITS & HARDWARE	
UPPER CONTROL ARM (optional)	UCA0007

REAR SELECTION	
DESCRIPTION	PART NUMBER
LEAF SPRINGS	
MULTI LEAF	
CONSTANT 600kg	EL125R
EXTRA LEAF (if required)	EL39XL
SHOCKS	
NITROCHARGER PLUS	63168
BP-51	
BP-51 SHOCK REAR	BP5160050
BP-51 REAR FIT KIT	VM80010045
FIT KITS & HARDWARE	
U BOLTS	OMEU53A OMEU53B
SPRING BUSH KIT	OMESB120
GREASABLE BUSH KIT (optional)	OMESB119
GREASABLE SHACKLE KIT (optional)	OMEGS26
GREASABLE PIN KIT (optional)	OMEGP9
HANDBRAKE CABLE FIT KIT	FK66

NOTE: There is a choice of front and rear springs depending on the set up of the particular vehicle. Please read comments relating to fitment of components. For all information refer to the vehicle specific selection page.

GVM UPGRADE - ISUZU

DMAX 2021 ON 4X4 AND 4X2 HI-RIDER

AUSTRALIA ONLY

OE GVM		3100kg		FOR PRE REGISTERED VEHICLES ONLY	
Upgraded GVM		3360kg			
RVSA Approval Number		VTA-060161 (NA)			
Compliance Kit Number		DM3360			
Axle Loads		Front OE	1450kg	Front Upgraded	1450kg
		Rear OE	1910kg	Rear Upgraded	1910kg
VEHICLE VARIANTS - 4X4 AND 4X2 HI-RIDER					
DESCRIPTION	BODY STYLE	ENGINE	TRANSMISSION	TYRE DESIGNATION	RIM SIZE
Crew Cab	Utility	3.0 Diesel	Manual Automatic	255/65/R17 265/60/R18	17x7J 18x7.5J
Crew Cab	Cab Chassis	3.0 Diesel	Manual Automatic	255/65/R17	17x7J
Space Cab	Utility	3.0 Diesel	Automatic	255/65/R17 265/60/R18	17x7J 18x7.5J
Space Cab	Cab Chassis	3.0 Diesel	Manual Automatic	255/65/R17	17x7J
Single Cab	Cab Chassis	3.0 Diesel	Manual Automatic	255/65/R17	17x7J

SUSPENSION SELECTION

FRONT SELECTION	
DESCRIPTION	PART NUMBER
NITROCHARGER PLUS	
SPRING	4001
STRUTS	*93046 / 93045
BP-51	
BP-51 COIL OVER RH	BP5190014R
BP-51 COIL OVER LH	BP5190014L
BP-51 FRONT FIT KIT	VM80010044
FIT KITS & HARDWARE	
UPPER CONTROL ARM (optional)	UCA0007

REAR SELECTION	
DESCRIPTION	PART NUMBER
LEAF SPRINGS	
MULTI LEAF	
CONSTANT 300kg	EL124R
CONSTANT 600kg	EL125R
EXTRA LEAF (if required)	EL39XL
SHOCKS	
NITROCHARGER SPORT	*60168 / 60167
NITROCHARGER PLUS	*63168 / 63167
BP-51	
BP-51 SHOCK REAR	BP5160050
BP-51 REAR FIT KIT	VM80010045
FIT KITS & HARDWARE	
U BOLTS	OMEU53A OMEU53B
SPRING BUSH KIT	OMESB120
GREASABLE BUSH KIT (optional)	OMESB119
GREASABLE SHACKLE KIT (optional)	OMEGS26
GREASABLE PIN KIT (optional)	OMEGP9
HANDBRAKE CABLE FIT KIT	FK66

NOTE: There is a choice of front and rear springs depending on the set up of the particular vehicle. Please read comments relating to fitment of components. For all information refer to the vehicle specific selection page.

GVM UPGRADE - MAZDA

BT-50 2021 ON 4X4 AND 4X2 HI-RIDER

AUSTRALIA ONLY

OE GVM		3100kg	FOR PRE REGISTERED VEHICLES ONLY		
Upgraded GVM		3500kg	SEATING CAPACITY: 2, 5		
RVSA Approval Number		VTA-060162 (NA)	*SPECIAL REQUIREMENTS*		
Compliance Kit Number		BT50C3500	Minimum of 600kg permanently carried load at all times.		
		NOTE: Warning Labels, part numbers 215759/38/39, supplied with compliance kits. For specific placement locations refer to PIB Release No.1587			
Axle Loads	Front OE	1450kg	Front Upgraded	1595kg	
	Rear OE	1910kg	Rear Upgraded	2100kg	
VEHICLE VARIANTS - 4X4 AND 4X2 HI-RIDER					
DESCRIPTION	BODY STYLE	ENGINE	TRANSMISSION	TYRE DESIGNATION	RIM SIZE
Dual Cab	Utility	1.9 Diesel	Manual	255/65/R17	17x7J
		3.0 Diesel	Automatic	265/60/R18	18x7.5J
Dual Cab	Cab Chassis	3.0 Diesel	Manual	255/65/R17	17x7J
			Automatic		
Freestyle Cab	Utility	3.0 Diesel	Automatic	255/65/R17	17x7J
Freestyle Cab	Cab Chassis	3.0 Diesel	Manual	255/65/R17	17x7J
			Automatic		
Single Cab	Cab Chassis	3.0 Diesel	Manual Automatic	255/65/R17	17x7J

SUSPENSION SELECTION

FRONT SELECTION	
DESCRIPTION	PART NUMBER
NITROCHARGER PLUS	
SPRING	4001
STRUTS	*93046 / 93045
BP-51	
BP-51 COIL OVER RH	BP5190014R
BP-51 COIL OVER LH	BP5190014L
BP-51 FRONT FIT KIT	VM80010044
FIT KITS & HARDWARE	
UPPER CONTROL ARM (optional)	UCA0007

REAR SELECTION	
DESCRIPTION	PART NUMBER
LEAF SPRINGS	
CONSTANT 600kg	EL125R
EXTRA LEAF (if required)	EL39XL
SHOCKS	
NITROCHARGER PLUS	*63167 / 63168
BP-51	
BP-51 SHOCK REAR	BP5160050
BP-51 REAR FIT KIT	VM80010045
FIT KITS & HARDWARE	
U BOLTS	OMEU53A OMEU53B
SPRING BUSH KIT	OMESB120
GREASABLE BUSH KIT (optional)	OMESB119
GREASABLE SHACKLE KIT (optional)	OMEGS26
GREASABLE PIN KIT (optional)	OMEGP9
HANDBRAKE CABLE FIT KIT	FK66

NOTE: There is a choice of front and rear springs depending on the set up of the particular vehicle. Please read comments relating to fitment of components. For all information refer to the vehicle specific selection page.

GVM UPGRADE - MAZDA

BT-50 2021 ON 4X4 AND 4X2 HI-RIDER

AUSTRALIA ONLY

OE GVM		3100kg		FOR PRE REGISTERED VEHICLES ONLY	
Upgraded GVM		3360kg			
RVSA Approval Number		VTA-060162 (NA)			
Compliance Kit Number		BT50C3360			
Axle Loads		Front OE	1450kg	Front Upgraded	1450kg
		Rear OE	1910kg	Rear Upgraded	1910kg
VEHICLE VARIANTS - 4X4 AND 4X2 HI-RIDER					
DESCRIPTION	BODY STYLE	ENGINE	TRANSMISSION	TYRE DESIGNATION	RIM SIZE
Dual Cab	Utility	1.9 Diesel	Manual	255/65/R17	17x7J
		3.0 Diesel	Automatic	265/60/R18	18x7.5J
Dual Cab	Cab Chassis	3.0 Diesel	Manual	255/65/R17	17x7J
			Automatic		
Freestyle Cab	Utility	3.0 Diesel	Automatic	255/65/R17	17x7J
Freestyle Cab	Cab Chassis	3.0 Diesel	Manual	255/65/R17	17x7J
			Automatic		
Single Cab	Cab Chassis	3.0 Diesel	Manual Automatic	255/65/R17	17x7J

SUSPENSION SELECTION

FRONT SELECTION	
DESCRIPTION	PART NUMBER
NITROCHARGER PLUS	
SPRINGS	4001
STRUTS	*93046 / 93045
BP-51	
BP-51 COIL OVER RH	BP5190014R
BP-51 COIL OVER LH	BP5190014L
BP-51 FRONT FIT KIT	VM80010044
FIT KITS & HARDWARE	
UPPER CONTROL ARM (optional)	UCA0007

REAR SELECTION	
DESCRIPTION	PART NUMBER
LEAF SPRINGS	
MULTI LEAF	
CONSTANT 300kg	EL124R
CONSTANT 600kg	EL125R
EXTRA LEAF (if required)	EL39XL
SHOCKS	
NITROCHARGER PLUS	*63168 / 63167
BP-51	
BP-51 SHOCK REAR	BP5160050
BP-51 REAR FIT KIT	VM80010045
FIT KITS & HARDWARE	
U BOLTS	OMEU53A OMEU53B
SPRING BUSH KIT	OMESB120
GREASABLE BUSH KIT (optional)	OMESB119
GREASABLE SHACKLE KIT (optional)	OMEGS26
GREASABLE PIN KIT (optional)	OMEGP9
HANDBRAKE CABLE FIT KIT	FK66

NOTE: There is a choice of front and rear springs depending on the set up of the particular vehicle. Please read comments relating to fitment of components. For all information refer to the vehicle specific selection page.

GVM UPGRADE - TOYOTA

HILUX 2021 ON 4X4 ONLY

AUSTRALIA ONLY

OE GVM		3050kg & 3100kg		FOR PRE REGISTERED VEHICLES ONLY	
Upgraded GVM		3465kg		SEATING CAPACITY: 2, 4, 5	
RVSA Approval Number		VTA-048108 (NA)		*SPECIAL REQUIREMENTS* Minimum of 600kg permanently carried load at all times.	
Compliance Kit Number		HI3465		NOTE: Warning Labels, part numbers 215738/39/29, supplied with compliance kits. For specific placement locations refer to PIB No's. 318 & 1017.	
Axle Loads	Front OE	1450kg		Front Upgraded	1595kg
	Rear OE	1700kg		Rear Upgraded	1870kg
VEHICLE VARIANTS - 4X4 ONLY					
DESCRIPTION	BODY STYLE	ENGINE	TRANSMISSION	TYRE DESIGNATION	RIM SIZE
Double Cab	Utility	2.4/2.8 Diesel	Manual	265/65R17	17x7.5J
			Automatic	265/60R18	18x7.5J
Double Cab	Cab Chassis	2.4/2.8 Diesel	Manual	265/65R17	17x7.5J
			Automatic	265/60R18	18x7.5J
Extra Cab	Utility	2.8 Diesel	Automatic	265/65R17	17x7.5J
				265/60R18	18x7.5J
Extra Cab	Cab Chassis	2.4/2.8 Diesel	Manual	265/65R17	17x7.5J
			Automatic		
Single Cab	Cab Chassis	2.4/2.8 Diesel	Manual Automatic	225/70R17C	17x6J

SUSPENSION SELECTION

FRONT SELECTION	
DESCRIPTION	PART NUMBER
NITROCHARGER PLUS / MT64	
SPRING 40mm	4000
SPRING 20mm	4007
STRUT - NITROCHARGER PLUS	*93029 / 93028
STRUT - MT64	MT64901001
BP-51	
BP-51 COIL OVER RH	BP5190007R
BP-51 COIL OVER LH	BP5190007L
BP-51 FRONT FIT KIT	VM80010018
FIT KITS & HARDWARE	
UPPER CONTROL ARM (optional)	UCA0003

REAR SELECTION		
DESCRIPTION	PART NUMBER	
LEAF SPRINGS		
MULTI-LEAF CONSTANT 600kg	EL107R	
EXTRA LEAF (if required)	EL45XL	
PARABOLIC CONSTANT 600KG	PB006R	
AIRBAG KIT (MANDATORY)	OMEAB001	
SHOCKS		
NITROCHARGER PLUS	63133	
MT64		
SHOCK - MT64	MT64601001L	MT64601001R
SHOCK - MT64 HEAVY	*MT64601002L	*MT64601002R
BP-51		
BP-51 SHOCK	BP5160018L	BP5160018R
BP-51 SHOCK HEAVY	*BP5160051L	*BP5160051R
BP-51 REAR FIT KIT	VM80010019	
FIT KITS & HARDWARE		
U BOLTS	OMEU53B	
SPRING BUSH KIT	OMESB98	
GREASABLE SHACKLE KIT (optional)	OMEGS25	
GREASABLE PIN KIT (optional)	OMEGP9	
HEADLAMP LEVELLING BRACKET	FK86	

NOTE: There is a choice of front and rear springs depending on the set up of the particular vehicle. Please read comments relating to fitment of components. For all information refer to the vehicle specific selection page.

GVM UPGRADE - TOYOTA

HILUX 2021 ON 4X4 ONLY

AUSTRALIA ONLY

OE GVM		3050kg & 3100kg		FOR PRE REGISTERED VEHICLES ONLY	
Upgraded GVM		3180kg			
RVSA Approval Number		VTA-048108 (NA)			
Compliance Kit Number		HI3180			
Axle Loads		Front OE	1450kg	Front Upgraded	1480kg
		Rear OE	1700kg	Rear Upgraded	1700kg
VEHICLE VARIANTS - 4X4 ONLY					
DESCRIPTION	BODY STYLE	ENGINE	TRANSMISSION	TYRE DESIGNATION	RIM SIZE
Double Cab	Utility	2.4/2.8 Diesel	Manual	265/65R17	17x7.5J
			Automatic	265/60R18	18x7.5J
Double Cab	Cab Chassis	2.4/2.8 Diesel	Manual	265/65R17	17x7.5J
			Automatic	265/60R18	18x7.5J
Extra Cab	Utility	2.8 Diesel	Automatic	265/65R17	17x7.5J
				265/60R18	18x7.5J
Extra Cab	Cab Chassis	2.4/2.8 Diesel	Manual	265/65R17	17x7.5J
			Automatic		
Single Cab	Cab Chassis	2.4/2.8 Diesel	Manual Automatic	225/70R17C	17x6J

SUSPENSION SELECTION

FRONT SELECTION	
DESCRIPTION	PART NUMBER
NITROCHARGER PLUS / MT64	
SPRING 40mm	4000
SPRING 20mm	4007
STRUT - NITROCHARGER PLUS	*93029 / 93028
STRUT - MT64	MT64901001
BP-51	
BP-51 COIL OVER RH	BP5190007R
BP-51 COIL OVER LH	BP5190007L
BP-51 FRONT FIT KIT	VM80010018
FIT KITS & HARDWARE	
UPPER CONTROL ARM (optional)	UCA0003

REAR SELECTION		
DESCRIPTION	PART NUMBER	
LEAF SPRINGS		
MULTI-LEAF CONSTANT 300kg	EL106R	
MULTI-LEAF CONSTANT 600kg	EL107R	
EXTRA LEAF (if required)	EL45XL	
PARABOLIC CONSTANT 300kg	PB005R	
PARABOLIC CONSTANT 600kg	PB006R	
AIR BAG KIT (MANDATORY)	OMEAB001	
SHOCKS		
NITROCHARGER PLUS	*63133 / 63132	
MT64		
SHOCK - MT64	MT64601001L	MT64601001R
SHOCK - MT64 HEAVY	*MT64601002L	*MT64601002R
BP-51		
BP-51 SHOCK	BP5160018L	BP5160018R
BP-51 SHOCK HEAVY	*BP5160051L	*BP5160051R
BP-51 REAR FIT KIT	VM80010019	
FIT KITS & HARDWARE		
U BOLTS	OMEU53A	
	OMEU53B	
SPRING BUSH KIT	OMESB98	
GREASABLE SHACKLE KIT (optional)	OMEGS25	
GREASABLE PIN KIT (optional)	OMEGP9	
HEADLAMP LEVELLING BRACKET	FK86	

NOTE: There is a choice of front and rear springs depending on the set up of the particular vehicle. Please read comments relating to fitment of components. For all information refer to the vehicle specific selection page.

GVM UPGRADE - TOYOTA

LANDCRUISER 300 SERIES

AUSTRALIA ONLY

OE GVM		3280kg	FOR PRE REGISTERED VEHICLES ONLY		
Upgraded GVM		3560kg	SEATING CAPACITY: 7 (GX,ZX,GR: 5)		
RVSA Approval Number		VTA-060708 (MC)	*SPECIAL REQUIREMENTS* REVERSE LIGHT KIT IS REQUIRED Reverse Light Kit - FK119 (Pair) Reverse Light Harness - 6821449 (Each)		
Compliance Kit Number		3003560			
Axle Loads	Front OE	1630kg	Front Upgraded	1630kg	
	Rear OE	1930kg	Rear Upgraded	1930kg	
VEHICLE VARIANTS					
DESCRIPTION	BODY STYLE	ENGINE	TRANSMISSION	TYRE DESIGNATION	RIM SIZE
GX	Wagon	3.3 Diesel	Automatic	245/75R17 265/65R18 265/55R20	17x7J 18x7.5J 20x8J
All Others	Wagon	3.3 Diesel	Automatic	265/65R18 265/55R20	18x7.5J 20x8J

SUSPENSION SELECTION

FRONT SELECTION		
DESCRIPTION	PART NUMBER	
NITROCHARGER PLUS		
SPRING	4038	4023
STRUTS	*93055 / 93054	
MT64		
SPRING	4038	4023
STRUTS	MT64901017	
STRUTS - Heavy	*MT64901018	
BP-51		
BP-51 COIL OVER RH	BP5190022R	
BP-51 COIL OVER LH	BP5190022L	
BP-51 FRONT FIT KIT	VM80010066	
FIT KITS & HARDWARE		
UPPER CONTROL ARM (optional)	UCA0006	

REAR SELECTION		
DESCRIPTION	PART NUMBER	
SPRINGS		
	20mm	50mm
MEDIUM LOAD	3311	3219
CONSTANT 200kg	3312	3220
CONSTANT 400kg	3313	3221
CONSTANT 600kg	3314	3222
NITROCHARGER		
NITROCHARGER SPORT	*60177 / 60176	
NITROCHARGER PLUS	*63177 / 63176	
MT64		
MT64	MT64601019	
MT64 HEAVY	*MT64601020	
BP-51		
BP-51	BP5160061	
BP-51 HEAVY	*BP5160062	
BP-51 REAR FIT KIT	VM80010067	
FIT KITS & HARDWARE		
TRIM PACKER (if required)	OME80PR05	
	OME80PR10	
STONE GUARD KIT (recommended)	OME661	
	FK124	
SPRING SEAT REINFORCEMENT KIT (recommended)	FK121	

NOTE: There is a choice of front and rear springs depending on the set up of the particular vehicle. Please read comments relating to fitment of components. For all information refer to the vehicle specific selection page.

GVM UPGRADE - TOYOTA

LANDCRUISER 300 SERIES

AUSTRALIA ONLY

OE GVM		3280kg	FOR PRE REGISTERED VEHICLES ONLY		
Upgraded GVM		3650kg	SEATING CAPACITY: 5 & 7		
RVSA Approval Number		VTA-060708 (MC)	*SPECIAL REQUIREMENTS*		
Compliance Kit Number		3003650	Minimum of 200kg permanently carried load at all times.		
		NOTE: Warning Labels, part numbers 215738/ 215739/ 215975/ 215981/ 215964, supplied with compliance kits.			
Axle Loads	Front OE	1630kg	Front Upgraded	1710kg	
	Rear OE	1930kg	Rear Upgraded	2025kg	
VEHICLE VARIANTS					
DESCRIPTION	BODY STYLE	ENGINE	TRANSMISSION	TYRE DESIGNATION	RIM SIZE
GX	Wagon	3.3 Diesel	Automatic	245/75R17 265/65R18 265/55R20	17x7J 18x7.5J 20x8J
All Others	Wagon	3.3 Diesel	Automatic	265/65R18 265/55R20	18x7.5J 20x8J

SUSPENSION SELECTION

FRONT SELECTION		
DESCRIPTION	PART NUMBER	
NITROCHARGER PLUS		
SPRING	4038	4023
STRUTS	93055	
MT64		
SPRING	4038	4023
STRUTS - Heavy	MT64901018	
BP-51		
BP-51 COIL OVER RH	BP5190022R	
BP-51 COIL OVER LH	BP5190022L	
BP-51 KIT	VM80010066	
FIT KITS & HARDWARE		
UPPER CONTROL ARM (optional)	UCA0006	

REAR SELECTION		
DESCRIPTION	PART NUMBER	
SPRINGS		
	20mm	50mm
CONSTANT 200kg	3312	3220
CONSTANT 400kg	3313	3221
CONSTANT 600kg	3314	3222
NITROCHARGER		
NITROCHARGER PLUS	63177	
MT64		
MT64 HEAVY	MT64601020	
BP-51		
BP-51 SHOCK	BP5160062	
BP-51 REAR FIT KIT	VM80010067	
FIT KITS & HARDWARE		
TRIM PACKER (if required)	OME80PR05 OME80PR10	
STONE GUARD KIT (recommended)	OME661 FK124	

MANDATORY COMPONENTS	
PART NUMBER	QUANTITY
REVERSE LIGHT KIT	
FK119	1
6821449	
SPRING SEAT REINFORCEMENT KIT	
FK121	1

NOTE: There is a choice of front and rear springs depending on the set up of the particular vehicle. Please read comments relating to fitment of components. For all information refer to the vehicle selection page.

GVM UPGRADE - TOYOTA

LANDCRUISER 300 SERIES

AUSTRALIA ONLY

OE GVM		3280kg	FOR PRE REGISTERED VEHICLES ONLY		
Upgraded GVM		3920kg	SEATING CAPACITY: 5 & 7		
RVSA Approval Number		VTA-060708 (MC)	*SPECIAL REQUIREMENTS*		
Compliance Kit Number		3003920	Minimum of 400kg permanently carried load at all times.		
		NOTE: Warning Labels, part numbers 215738/ 215739/ 215976/ 215981/ 215964, supplied with compliance kits.			
Axle Loads	Front OE	1630kg	Front Upgraded	1795kg	
	Rear OE	1930kg	Rear Upgraded	2125kg	
VEHICLE VARIANTS					
DESCRIPTION	BODY STYLE	ENGINE	TRANSMISSION	TYRE DESIGNATION	RIM SIZE
GX	Wagon	3.3 Diesel	Automatic	245/75R17 265/65R18 265/55R20	17x7J 18x7.5J 20x8J
All Others	Wagon	3.3 Diesel	Automatic	265/65R18 265/55R20	18x7.5J 20x8J

SUSPENSION SELECTION

FRONT SELECTION		
DESCRIPTION	PART NUMBER	
NITROCHARGER PLUS		
SPRING	4038	4023
STRUTS	93055	
MT64		
SPRING	4038	4023
STRUTS - Heavy	MT64901018	
BP-51		
BP-51 COIL OVER RH	BP5190022R	
BP-51 COIL OVER LH	BP5190022L	
BP-51 KIT	VM80010066	
FIT KITS & HARDWARE		
UPPER CONTROL ARM (optional)	UCA0006	

REAR SELECTION		
DESCRIPTION	PART NUMBER	
SPRINGS		
	20mm	50mm
CONSTANT 400kg	3313	3221
CONSTANT 600kg	3314	3222
NITROCHARGER		
NITROCHARGER PLUS	63177	
MT64		
MT64 Heavy	MT64601020	
BP-51		
BP-51 SHOCK	BP5160062	
BP-51 REAR FIT KIT	VM80010067	
FIT KITS & HARDWARE		
TRIM PACKER (if required)	OME80PR05	
	OME80PR10	
STONE GUARD KIT (recommended)	OME661	
	FK124	

MANDATORY COMPONENTS	
PART NUMBER	QUANTITY
REVERSE LIGHT KIT	
FK119	1
6821449	
SPRING SEAT REINFORCEMENT KIT	
FK121	1

NOTE: There is a choice of front and rear springs depending on the set up of the particular vehicle. Please read comments relating to fitment of components. For all information refer to the vehicle selection page.

GVM UPGRADE - TOYOTA

LANDCRUISER 79 SERIES DUAL CAB MY24

AUSTRALIA ONLY

OE GVM		3510kg	FOR PRE REGISTERED VEHICLES ONLY		
Upgraded GVM		3950kg	SEATING CAPACITY: 5		
SSM Approval Number		VTA-062507 (NB1)	*SPECIAL REQUIREMENTS* Minimum of 600kg permanently carried load at all times.		
Compliance Kit Number		70MY243950	NOTE: Warning Labels, part numbers 215738/39/87/88, supplied with compliance kits. For specific placement locations refer to GVM fitting instructions supplied in the compliance kit.		
Axle Loads	Front OE	1480kg	Front Upgraded	1540kg	
	Rear OE	2300kg	Rear Upgraded	2410kg	
VEHICLE VARIANTS - DUAL CAB 4 DOOR CAB CHASSIS					
DESCRIPTION	BODY STYLE	ENGINE	TRANSMISSION	TYRE DESIGNATION	RIM SIZE
70 Series Dual Cab	Cab Chassis	4.5 Turbo Diesel	Manual	225/95R16 265/70R16	16x6J 16x7JJ
70 Series Dual Cab	Cab Chassis	2.8 Turbo Diesel	Automatic	225/95R16 265/70R16	16x6J 16x7JJ

SUSPENSION SELECTION

FRONT SELECTION	
DESCRIPTION	PART NUMBER
SPRINGS	
NO ACC or BAR ONLY	2856
BAR/ WINCH & ACC	2859
SHOCKS	
NITROCHARGER PLUS	63008
MT64	MT64601003
BP-51	BP5160042
BP-51 FIT KIT	VM80010006
FIT KITS & HARDWARE	
STEERING DAMPER (optional)	OMESD47
	OMESD24
CASTER KIT (if required)	OMECA77B
SWAY BAR SPACER KIT (if required)	FK19

NOTE: There is a choice of front and rear springs depending on the set up of the particular vehicle. Please read comments relating to fitment of components. For all information refer to the vehicle specific selection page.

REAR SELECTION	
DESCRIPTION	PART NUMBER
LEAF SPRINGS	
MULTI-LEAF CONSTANT 500/600kg	EL115R
MULTI-LEAF CONSTANT 700/800kg	EL116R
EXTRA LEAF (if required)	EL14XL
PARABOLIC CONSTANT 600KG	PB008R
PARABOLIC CONSTANT 800KG	PB009R
PARABOLIC CONSTANT 1000KG	PB010R
AIRBAG KIT (MANDATORY)	OMEAB003
SHOCKS	
NITROCHARGER PLUS	63011
NITROCHARGER PLUS	*63109
NITROCHARGER PLUS	63401
MT64	MT64601005
MT64 Heavy	*MT64601006
MT64 Long	MT64601008
BP-51 SUITS EL115R	BP5160028
BP-51 SUITS EL116R	BP5160052
BP-51 FIT KIT	VM80010007
FIT KITS & HARDWARE	
U BOLTS	OMEU59B/C/D
	OMEU90
SPRING BUSH KIT	OMESB101
GREASABLE BUSH KIT (optional)	OMESB85
GREASABLE SHACKLE KIT (optional)	OMEGS10
GREASABLE SHACKLE END PIN KIT (optional)	OMEGP7
REAR SWAY BAR HD (MANDATORY)	OMESTAB9
SWAY BAR FIT KIT (MANDATORY)	FK76
	FK77

GVM UPGRADE - TOYOTA

LANDCRUISER 79 SERIES DUAL CAB MY24

AUSTRALIA ONLY

OE GVM		3510kg	FOR PRE REGISTERED VEHICLES ONLY		
Upgraded GVM		3780kg	SEATING CAPACITY: 5		
SSM Approval Number		VTA-062507 (NB1)			
Compliance Kit Number		70MY243780			
Axle Loads	Front OE	1480kg	Front Upgraded	1480kg	
	Rear OE	2300kg	Rear Upgraded	2300kg	
VEHICLE VARIANTS - DUAL CAB 4 DOOR CAB CHASSIS					
DESCRIPTION	BODY STYLE	ENGINE	TRANSMISSION	TYRE DESIGNATION	RIM SIZE
70 Series Dual Cab	Cab Chassis	4.5 Turbo Diesel	Manual	225/95R16 265/70R16	16x6J 16x7JJ
70 Series Dual Cab	Cab Chassis	2.8 Turbo Diesel	Automatic	225/95R16 265/70R16	16x6J 16x7JJ

SUSPENSION SELECTION

FRONT SELECTION	
DESCRIPTION	PART NUMBER
SPRINGS	
NO ACC or BAR ONLY	2856
BAR/ WINCH	2859
SHOCKS	
NITROCHARGER PLUS	63008
MT64	MT64601003
BP-51	BP5160042
BP-51 FIT KIT	VM80010006

FIT KITS & HARDWARE FRONT	
STEERING DAMPER (optional)	OMESD47
	OMESD24
CASTER KIT (if required)	OMECA77B
SWAY BAR SPACER KIT (if required)	FK19

NOTE: There is a choice of front and rear springs depending on the set up of the particular vehicle. Please read comments relating to fitment of components. For all information refer to the vehicle specific selection page.

REAR SELECTION	
DESCRIPTION	PART NUMBER
LEAF SPRINGS	
MULTI-LEAF CONSTANT 300kg	EL114R
MULTI-LEAF CONSTANT 500kg	EL115R
MULTI-LEAF CONSTANT 700kg	EL116R
EXTRA LEAF (if required)	EL14XL
PARABOLIC CONSTANT 400kg	PB007R
PARABOLIC CONSTANT 600kg	PB008R
PARABOLIC CONSTANT 800kg	PB009R
PARABOLIC CONSTANT 1000kg	PB010R
AIRBAG KIT (MANDATORY)	OMEAB003
SHOCKS	
NITROCHARGER PLUS	63011
NITROCHARGER PLUS	*63109
NITROCHARGER PLUS	63401
MT64	MT64601005
MT64 Heavy	*MT64601006
MT64 Long	MT64601008
BP-51 SUITS EL114R/ EL115R	BP5160028
BP-51 SUITS EL116R	BP5160052
BP-51 REAR FIT KIT	VM80010007

FIT KITS & HARDWARE REAR	
U BOLTS	OMEU59B/C/D
	OMEU90
SPRING BUSH KIT	OMESB101
GREASABLE BUSH KIT (optional)	OMESB85
GREASABLE SHACKLE KIT (optional)	OMEGS10
GREASABLE SHACKLE END PIN KIT (optional)	OMEGP7
HEAVY DUTY REAR SWAY BAR (optional)	OMESTAB9
	FK76
SWAY BAR FIT KIT (optional)	FK77

GVM UPGRADE - TOYOTA

LANDCRUISER 79 SERIES - SINGLE CAB MY24

AUSTRALIA ONLY

OE GVM		3510kg	FOR PRE REGISTERED VEHICLES ONLY		
Upgraded GVM		3950kg	SEATING CAPACITY: 2		
SSM Approval Number		VTA-062507 (NB1)	*SPECIAL REQUIREMENTS* Minimum of 600kg permanently carried load at all times.		
Compliance Kit Number		79MY243950	NOTE: Warning Labels, part numbers 215738/39/87/88, supplied with compliance kits. For specific placement locations refer to GVM fitting instructions supplied in the compliance kit.		
Axle Loads	Front OE	1480kg	Front Upgraded	1540kg	
	Rear OE	2300kg	Rear Upgraded	2410kg	
VEHICLE VARIANTS - 2 DOOR CAB CHASSIS					
DESCRIPTION	BODY STYLE	ENGINE	TRANSMISSION	TYRE DESIGNATION	RIM SIZE
79 Series Single Cab	Cab Chassis	4.5 Turbo Diesel	Manual	225/95R16 265/70R16	16x6J 16x7JJ
79 Series Single Cab	Cab Chassis	2.8 Turbo Diesel	Automatic	225/95R16 265/70R16	16x6J 16x7JJ

SUSPENSION SELECTION

FRONT SELECTION	
DESCRIPTION	PART NUMBER
SPRINGS	
NO ACC or BAR ONLY	2856
BAR/ WINCH & ACC	2859
SHOCKS	
NITROCHARGER PLUS	63008
MT64	MT64601003
BP-51 SHOCK	BP5160042
BP-51 FIT KIT	VM80010006

FIT KITS & HARDWARE	
STEERING DAMPER (optional)	OMESD47 OMESD24
CASTER KIT (if required)	OMECA77B
SWAY BAR SPACER KIT (if required)	FK19

NOTE: There is a choice of front and rear springs depending on the set up of the particular vehicle. Please read comments relating to fitment of components. For all information refer to the vehicle specific selection page.

REAR SELECTION	
DESCRIPTION	PART NUMBER
LEAF SPRINGS	
MULTI-LEAF CONSTANT 500/600kg	EL115R
MULTI-LEAF CONSTANT 700/800kg	EL116R
EXTRA LEAF (if required)	EL14XL
PARABOLIC CONSTANT 600KG	PB008R
PARABOLIC CONSTANT 800KG	PB009R
PARABOLIC CONSTANT 1000KG	PB010R
AIRBAG KIT (MANDATORY)	OMEAB003
SHOCKS	
NITROCHARGER PLUS	63011
NITROCHARGER PLUS	*63109
NITROCHARGER PLUS	63401
MT64	MT64601005
MT64 Heavy	*MT64601006
MT64 Long	MT64601008
BP-51 SUITS EL114R/ EL115R	BP5160028
BP-51 SUITS EL116R	BP5160052
BP-51 FIT KIT	VM80010007

FIT KITS & HARDWARE	
U BOLTS	OMEU59B/C/D OMEU90
SPRING BUSH KIT	OMESB101
GREASABLE BUSH KIT (optional)	OMESB85
GREASABLE SHACKLE KIT (optional)	OMEGS10
GREASABLE SHACKLE END PIN KIT (optional)	OMEGP7
HEAVY DUTY REAR SWAY BAR (MANDATORY)	OMESTAB9
SWAY BAR FIT KIT (MANDATORY)	FK76
	FK77

GVM UPGRADE - TOYOTA

LANDCRUISER 79 SERIES - SINGLE CAB MY24

AUSTRALIA ONLY

OE GVM		3510kg	FOR PRE REGISTERED VEHICLES ONLY		
Upgraded GVM		3780kg	SEATING CAPACITY: 2		
SSM Approval Number		VTA-062507 (NB1)			
Compliance Kit Number		79MY243780			
Axle Loads	Front OE	1480kg	Front Upgraded	1480kg	
	Rear OE	2300kg	Rear Upgraded	2300kg	
VEHICLE VARIANTS - 2 DOOR CAB CHASSIS					
DESCRIPTION	BODY STYLE	ENGINE	TRANSMISSION	TYRE DESIGNATION	RIM SIZE
79 Series Single Cab	Cab Chassis	4.5 Turbo Diesel	Manual	225/95R16 265/70R16	16x6J 16x7JJ
79 Series Single Cab	Cab Chassis	2.8 Turbo Diesel	Automatic	225/95R16 265/70R16	16x6J 16x7JJ

SUSPENSION SELECTION

FRONT SELECTION	
DESCRIPTION	PART NUMBER
SPRINGS	
NO ACC or BAR ONLY	2856
BAR/ WINCH & ACC	2859
SHOCKS	
NITROCHARGER PLUS	63008
MT64	MT64601003
BP-51	BP5160042
BP-51 FIT KIT	VM80010006

FIT KITS & HARDWARE	
STEERING DAMPER (optional)	OMESD47 OMESD24
CASTER KIT (if required)	OMECA77B
SWAY BAR SPACER KIT (if required)	FK19

NOTE: There is a choice of front and rear springs depending on the set up of the particular vehicle. Please read comments relating to fitment of components. For all information refer to the vehicle specific selection page.

REAR SELECTION	
DESCRIPTION	PART NUMBER
LEAF SPRINGS	
CONSTANT 400kg	EL114R
CONSTANT 600kg	EL115R
CONSTANT 800kg	EL116R
EXTRA LEAF (if required)	EL14XL
PARABOLIC CONSTANT 400kg	PB007R
PARABOLIC CONSTANT 600kg	PB008R
PARABOLIC CONSTANT 800kg	PB009R
PARABOLIC CONSTANT 1000kg	PB010R
AIRBAG KIT (MANDATORY)	OMEAB003
SHOCKS	
NITROCHARGER PLUS	63011
NITROCHARGER PLUS	*63109
NITROCHARGER PLUS	63401
MT64	MT64601005
MT64 Heavy	*MT64601006
MT64 Long	MT64601008
BP-51 SUITS EL114R/ EL115R	BP5160028
BP-51 SUITS EL116R	BP5160052
BP-51 FIT KIT	VM80010007

FIT KITS & HARDWARE	
U BOLTS	OMEU59B/C/D OMEU90
SPRING BUSH KIT	OMESB101
GREASABLE BUSH KIT (optional)	OMESB85
GREASABLE SHACKLE KIT (optional)	OMEGS10
GREASABLE SHACKLE END PIN KIT (optional)	OMEGP7
HEAVY DUTY REAR SWAY BAR (optional)	OMESTAB9
SWAY BAR FIT KIT (optional)	FK76
	FK77

GVM UPGRADE - TOYOTA

LANDCRUISER 76 SERIES MY24

AUSTRALIA ONLY

OE GVM		3510kg	FOR PRE REGISTERED VEHICLES ONLY		
Upgraded GVM		3720kg	SEATING CAPACITY: 5		
SSM Approval Number		VTA-062507 (NB1)			
Compliance Kit Number		76MY243720			
Axle Loads	Front OE	1480kg	Front Upgraded	1540kg	
	Rear OE	2180kg	Rear Upgraded	2180kg	
VEHICLE VARIANTS					
DESCRIPTION	BODY STYLE	ENGINE	TRANSMISSION	TYRE DESIGNATION	RIM SIZE
76 Series	Wagon	4.5 Turbo Diesel	Manual	225/95R16 265/70R16	16x6J 16x7JJ
76 Series	Wagon	2.8 Turbo Diesel	Automatic	225/95R16 265/70R16	16x6J 16x7JJ

SUSPENSION SELECTION

FRONT SELECTION	
DESCRIPTION	PART NUMBER
SPRINGS	
NO ACC or BAR ONLY	2856
BAR/ WINCH & ACC	2859
SHOCKS	
NITROCHARGER PLUS	63008
MT64	MT64601003
BP-51	BP5160042
BP-51 FIT KIT	VM80010006

FIT KITS & HARDWARE	
STEERING DAMPER (optional)	OMESD47
CASTER KIT (if required)	OMECA77B
SWAY BAR SPACER KIT (if required)	FK19
ABS Wire Kit (if required)	FK88

REAR SELECTION	
DESCRIPTION	PART NUMBER
LEAF SPRINGS	
CONSTANT 400KG	CS058R
CONSTANT 800KG	CS070R
EXTRA LEAF (if required)	D35XL
SHOCKS	
NITROCHARGER PLUS	63111
MT64	MT64601005
MT64 Heavy	*MT64601006
BP-51	BP5160028
BP-51 Fit Kit	VM80010007

FIT KITS & HARDWARE	
U BOLT	OMEU59D OMEU59B
SPRING BUSH KIT	OMESB86
GREASABLE SHACKLE KIT (optional)	OMEGS19
GREASABLE FIXED END KIT (optional)	OMEGP7
GREASABLE SHACKLE BUSH KIT (optional)	OMESB85
BRAKE PROPORTIONING BRKT (if required)	FK51 FK58
REAR BRAKE LINE DROP (if required)	FK82
ANTI-INVERSION KIT	FK38

NOTE: There is a choice of front and rear springs depending on the set up of the particular vehicle. Please read comments relating to fitment of components. For all information refer to the vehicle specific selection page.

GVM UPGRADE - TOYOTA

LANDCRUISER 78 SERIES MY24

AUSTRALIA ONLY

OE GVM		3510kg	FOR PRE REGISTERED VEHICLES ONLY		
Upgraded GVM		3780kg	SEATING CAPACITY: 2,5		
SSM Approval Number		VTA-062507 (NB1)	Note: 11 Seater is Not Approved		
Compliance Kit Number		78MY243780			
Axle Loads	Front OE	1480kg	Front Upgraded	1480kg	
	Rear OE	2300kg	Rear Upgraded	2300kg	
VEHICLE VARIANTS					
DESCRIPTION	BODY STYLE	ENGINE	TRANSMISSION	TYRE DESIGNATION	RIM SIZE
78 Series	2 Door Wagon	4.5 Turbo Diesel	Manual	225/95R16 265/70R16	16x6J 16x7JJ
78 Series	2 Door Wagon	2.8 Turbo Diesel	Automatic	225/95R16 265/70R16	16x6J 16x7JJ

SUSPENSION SELECTION

FRONT SELECTION	
DESCRIPTION	PART NUMBER
SPRINGS	
NO ACC or BAR ONLY	2856
BAR/ WINCH & ACC	2859
SHOCKS	
NITROCHARGER PLUS	63008
MT64	MT64601003
BP-51	BP5160042
BP-51 FIT KIT	VM80010006

FIT KITS & HARDWARE	
DESCRIPTION	PART NUMBER
STEERING DAMPER (optional)	OMESD47
CASTER KIT (if required)	OMECA77B
SWAY BAR SPACER KIT (if required)	FK19
ABS Wire Kit (if required)	FK65

NOTE: There is a choice of front and rear springs depending on the set up of the particular vehicle. Please read comments relating to fitment of components. For all information refer to the vehicle specific selection page.

REAR SELECTION	
DESCRIPTION	PART NUMBER
LEAF SPRINGS	
CONSTANT 400KG	EL114R
CONSTANT 600KG	EL115R
CONSTANT 800KG	EL116R
EXTRA LEAF (if required)	EL14XL
PARABOLIC CONSTANT 400kg	PB007R
PARABOLIC CONSTANT 600kg	PB008R
PARABOLIC CONSTANT 800kg	PB009R
PARABOLIC CONSTANT 1000kg	PB010R
AIRBAG KIT (MANDATORY)	OMEAB003
SHOCKS	
NITROCHARGER PLUS	63011
NITROCHARGER PLUS	63109
NITROCHARGER PLUS	63401
MT64	MT64601005
MT64 Heavy	*MT64601006
MT64 Long	MT64601008
BP-51 SUITS EL114R/ EL115R	BP5160028
BP-51 SUITS EL116R	BP5160052
FIT KIT	VM80010007

FIT KITS & HARDWARE	
DESCRIPTION	PART NUMBER
U BOLT	OMEU59B/C/D OMEU90
SPRING BUSH KIT	OMESB86
GREASABLE SHACKLE KIT (optional)	OMEGS19
GREASABLE FIXED END KIT (optional)	OMEGP7
GREASABLE SHACKLE BUSH KIT (optional)	OMESB85
BRAKE PROPORTIONING BRKT (if required)	FK51 FK58
REAR BRAKE LINE DROP (if required)	FK82
SWAY BAR (optional)	OMESTAB9
SWAY BAR FIT KIT (optional)	FK77 FK76
SWAY BAR EXTENSION BRACKET KIT	FK34

HISTORICAL REFERENCE - GVM UPGRADE - FORD

RANGER PXIII 4X4 AND 4X2 HI-RIDER

AUSTRALIA ONLY

OE GVM	3200kg	FOR PRE REGISTERED VEHICLES ONLY			
Upgraded GVM	3500kg	SEATING CAPACITY: 2, 3, 4, 5			
RVSA Approval Number	VTA-044118	*SPECIAL REQUIREMENTS*			
Compliance Kit Number	PX3500	Minimum of 600kg permanently carried load at all times.			
NOTE: Warning Labels, part numbers 215738/215739/215752, supplied with compliance kits.					
VEHICLE VARIANTS 4X4 & 4X2 HI-RIDER					
DESCRIPTION	BODY STYLE	ENGINE	TRANSMISSION	TYRE DESIGNATION	RIM SIZE
Dual Cab	Utility	2.2 Diesel	Manual	255/70R16	16x7J
		3.2 Diesel	Automatic	265/65R17	17x7.5J
		2.0 Diesel		265/60R18	18x8J
Dual Cab	Cab Chassis	2.2 Diesel	Manual	255/70R16	16x7J
		3.2 Diesel	Automatic	265/65R17	17x7.5J
				265/60R18	18x8J
Super Cab	Utility	2.0 Diesel	Manual	255/70R16	16x7J
		2.2 Diesel	Automatic	265/65R17	17x7.5J
		3.2 Diesel			
Super Cab	Cab Chassis	3.2 Diesel	Manual	255/70R16	16x7J
		2.2 Diesel	Automatic	265/65R17	17x7.5J
Single Cab	Cab Chassis	2.2 Diesel	Manual	255/70R16	16x7J
		3.2 Diesel	Automatic	265/65R17	17x7.5J

SUSPENSION SELECTION

FRONT SELECTION	
DESCRIPTION	PART #
SPRINGS	
NO ACCESSORIES	3141
BAR ONLY	3142
BAR & WINCH	3143
NO ACC 30MM LIFT	3140
STRUTS	
NITROCHARGER SPORT	90038
	90039
BP-51	
BP-51 COIL OVER RH	BP5190012R
BP-51 COIL OVER LH	BP5190012L
BP-51 FRONT FIT KIT	VM80010040
FIT KITS & HARDWARE	
UPPER CONTROL ARM (optional)	UCA0002
TRIM PACKER (if required)	FK94

REAR SELECTION	
DESCRIPTION	PART #
LEAF SPRINGS	
CONSTANT 600kg	EL128R
EXTRA LEAF (if required)	EL34XL
SHOCKS	
NITROCHARGER SPORT	60102
BP-51	
BP-51 SHOCK RH	BP5160037R
BP-51 SHOCK LH	BP5160037L
BP-51 REAR FIT KIT	VM80010012
FIT KITS & HARDWARE	
U BOLTS	OMEU66A
	OMEU66B
GREASEABLE SHACKLE BUSH KIT (optional)	OMESB118
SPRING BUSH KIT	OMESB117
GREASABLE SHACKLE KIT (optional)	OMEGS20
GREASABLE PIN KIT (optional)	OMEGP10
DRIVELINE SPACER KIT	FK57
LEAF SPRING F EYE BOLT KIT (optional)	FK95
LEAF SPRING ISOLATOR 2PK (optional)	FK103

HISTORICAL REFERENCE - GVM UPGRADE - FORD

RANGER PXIII 2018 ON 4X4 AND 4X2 HI-RIDER

AUSTRALIA ONLY

OE GVM	3200kg	FOR PRE REGISTERED VEHICLES ONLY			
Upgraded GVM	3330kg				
RVSA Approval Number	VTA-044118	SEATING CAPACITY: 2, 3, 4, 5			
Compliance Kit Number	PX3330				
VEHICLE VARIANTS 4X4 & 4X2 HI-RIDER					
DESCRIPTION	BODY STYLE	ENGINE	TRANSMISSION	TYRE DESIGNATION	RIM SIZE
Dual Cab	Utility	2.2 Diesel	Manual	255/70R16	16x7J
		3.2 Diesel	Automatic	265/65R17	17x7.5J
		2.0 Diesel		265/60R18	18x8J
Dual Cab	Cab Chassis	2.2 Diesel	Manual	255/70R16	16x7J
		3.2 Diesel	Automatic	265/65R17	17x7.5J
				265/60R18	18x8J
Super Cab	Utility	3.2 Diesel	Manual	255/70R16	16x7J
		2.2 Diesel	Automatic	265/65R17	17x7.5J
		2.0 Diesel			
Super Cab	Cab Chassis	3.2 Diesel	Manual	255/70R16	16x7J
		2.2 Diesel	Automatic	265/65R17	17x7.5J
Single Cab	Cab Chassis	2.2 Diesel	Manual	255/70R16	16x7J
		3.2 Diesel	Automatic	265/65R17	17x7.5J

SUSPENSION SELECTION

FRONT SELECTION	
DESCRIPTION	PART #
SPRINGS	
NO ACCESSORIES	3141
BAR ONLY	3142
BAR & WINCH	3143
NO ACC 30MM LIFT	3140
STRUTS	
NITROCHARGER SPORT	90038
	90039
BP-51	
BP-51 COIL OVER RH	BP5190012R
BP-51 COIL OVER LH	BP5190012L
BP-51 FRONT FIT KIT	VM80010040
FIT KITS & HARDWARE	
UPPER CONTROL ARM (optional)	UCA0002
TRIM PACKER (if required)	FK94

REAR SELECTION	
DESCRIPTION	PART #
LEAF SPRINGS	
CONSTANT 300kg	EL127R
CONSTANT 600kg	EL128R
EXTRA LEAF (if required)	EL34XL
SHOCKS	
NITROCHARGER SPORT	60101
	60102
BP-51	
BP-51 SHOCK RH	*BP5160037R
BP-51 SHOCK LH	*BP5160037L
BP-51 REAR FIT KIT	VM80010012
FIT KITS & HARDWARE	
U BOLTS	OMEU66A
	OMEU66B
GREASEABLE SHACKLE BUSH KIT (optional)	OMESB118
SPRING BUSH KIT	OMESB117
GREASABLE SHACKLE KIT (optional)	OMEGS20
GREASABLE PIN KIT (optional)	OMEGP10
DRIVELINE SPACER KIT	FK57
LEAF SPRING F EYE BOLT KIT (optional)	FK95
LEAF SPRING ISOLATOR 2PK (optional)	FK103

HISTORICAL REFERENCE - GVM UPGRADE - FORD

(Catalogue 38 09/2018)

RANGER PX/ II/ III 4X4 AND 4X2 HI-RIDER

AUSTRALIA ONLY

OE GVM	3200kg	FOR PRE REGISTERED VEHICLES ONLY
Upgraded GVM	*3500kg	SEATING CAPACITY: 2, 3, 4, 5
ADR Approval Number	44118	*SPECIAL REQUIREMENTS: Minimum of 600kg permanently carried load.
NOTE: Warning Labels, part numbers 215727 ¹ /8 ¹ /31/8/9, supplied with compliance kits. For specific placement locations refer to PIB No. 318		

VEHICLE VARIANTS 4X4 & 4X2 HI-RIDER

DESCRIPTION	BODY STYLE	ENGINE	TRANSMISSION	TYRE DESIGNATION	RIM SIZE
Dual Cab	Utility	2.2 Diesel	Manual	225/70R16	16x7J
		3.2 Diesel	Automatic	265/65R17 265/60R18	17x7.5J 18x8J
Dual Cab	Cab Chassis	2.2 Diesel	Manual	255/70R16	16x7J
		3.2 Diesel	Automatic	265/65R17 265/60R18	17x7.5J 18x8J
Super Cab	Utility	3.2 Diesel	Manual	255/70R16	16x7J
			Automatic	265/65R17	17x7.5J
Super Cab	Cab Chassis	3.2 Diesel	Manual	255/70R16	16x7J
			Automatic	265/65R17	17x7.5J
Single Cab	Cab Chassis	2.2 Diesel	Manual	255/70R16	16x7J
		3.2 Diesel	Automatic	265/65R17 265/60R18	17x7.5J 18x8J

SUSPENSION SELECTION

DESCRIPTION	PART NUMBER
PXII RANGER COMPLIANCE KIT	PX3500

FRONT COILS	
NO ACCESSORIES	2997
BAR ONLY	2998
BAR & WINCH	2999
NO ACCESSORIES 30MM LIFT	3048
BP-51 COIL OVER RIGHT	BP5190005R
BP-51 COIL OVER LEFT	BP5190005L
BP-51 FRONT FIT KIT	VM80010011
FRONT STRUTS	90019 ¹
	90020 ¹
TRIM PACKER (optional)	FK56

DESCRIPTION	PART NUMBER
REAR LEAF SPRINGS	
CONSTANT 600kg	EL069R ¹
EXTRA LEAF (if required)	EL34XL
BP-51 SHOCK RH	BP5160027R
BP-51 SHOCK LH	BP5160027L
BP-51 REAR FIT KIT	VM80010012
REAR SHOCK	60102 ¹
U BOLTS	OMEU66A
	OMEU66B
GREASEABLE SHACKLE BUSH KIT	OMESB103
GREASABLE SHACKLE KIT (optional)	OMEKS20
DRIVELINE SPACER KIT	FK57

1. When remaining stock of 215727, 215728, 60102, 90019, 90020, EL069R and EL104R is exhausted no further product will be available.

HISTORICAL REFERENCE - GVM UPGRADE - FORD

(Catalogue 28.2 05/2013)

RANGER PX/ II/ III 2011 ON

AUSTRALIA ONLY

OE GVM 3200kg

Upgraded GVM 3330kg

ADR Approval Number 44118

VEHICLE VARIANTS

DESCRIPTION	BODY STYLE	ENGINE	TRANSMISSION	TYRE DESIGNATION	RIM SIZE
Dual Cab	Utility	2.2 Diesel	Manual	225/70R16	16x7J
		3.2 Diesel	Automatic	265/65R17	17x7.5J
				265/60R18	18x8J
Dual Cab	Cab Chassis	2.2 Diesel	Manual	255/70R16	16x7J
		3.2 Diesel	Automatic	265/65R17	17x7.5J
				265/60R18	18x8J
Super Cab	Utility	3.2 Diesel	Manual	255/70R16	16x7J
			Automatic	265/65R17	17x7.5J
Super Cab	Cab Chassis	2.2 Diesel	Manual	255/70R16	16x7J
		3.2 Diesel	Automatic	265/65R17	17x7.5J
				265/60R18	18x8J
Single Cab	Utility	2.2 Diesel	Manual	255/70R16	16x7J
		3.2 Diesel	Automatic	265/65R17	17x7.5J
				265/60R18	18x8J
Single Cab	Cab Chassis	2.2 Diesel	Manual	255/70R16	16x7J
		3.2 Diesel	Automatic	265/65R17	17x7.5J
				265/60R18	18x8J

SUSPENSION SELECTION

DESCRIPTION	PART NUMBER
PX RANGER COMPLIANCE KIT	PX3330

FRONT COILS

BAR ONLY	2998
BAR & WINCH	2999
FRONT STRUT	90019 ¹
	90020 ¹
TRIM PACKER (if required)	FK56

DESCRIPTION	PART NUMBER
REAR LEAF SPRINGS	
CONSTANT 300kg	CS068R ¹ / EL068R ¹
CONSTANT 600kg	CS069R ¹ / EL069R ¹
EXTRA LEAF (if required)	D34XL / EL34XL
REAR SHOCKS	60101 ¹
	60102 ¹
U BOLTS	OMEU66A
	OMEU66B
SPRING BUSH KIT	OMESB102
GREASABLE SHACKLE KIT (optional)	OMEGS20
GREASEABLE SHACKLE BUSH KIT (optional)	OMESB103
DRIVELINE SPACER KIT (optional)	FK57
CENTRE BOLT	UCB19

1. When remaining stock of 60101, 60102, 90019, 90020, CS068R, CS069R EL068R, EL069R, EL103R and EL104R is exhausted no further product will be available.

HISTORICAL REFERENCE - GVM UPGRADE - HOLDEN

COLORADO - ONLY

AUSTRALIA ONLY

OE GVM	3150kg	FOR PRE REGISTERED VEHICLES ONLY SEATING CAPACITY: 2, 4, 5			
Upgraded GVM	3300kg				
RVSA Approval Number	49496				
Compliance Kit Number	HC3300¹				
VEHICLE VARIANTS 4X4 & 4X2 HI-RIDER					
DESCRIPTION	BODY STYLE	ENGINE	TRANSMISSION	TYRE DESIGNATION	RIM SIZE
Crew Cab	Pickup	2.8 Diesel	Manual	245/70R16	16x6.5J
			Automatic	255/65R17 265/60R18	17x7.0J 18x7.5J
Crew Cab	Cab Chassis	2.8 Diesel	Manual	245/70R16	16x6.5J
			Automatic	265/60R18	18x7.5J
Space Cab	Pickup	2.8 Diesel	Manual Automatic	265/60R18	18x7.5J
Super Cab	Cab Chassis	2.8 Diesel	Manual Automatic	245/70R16	16x6.5J
Single Cab	Cab Chassis	2.8 Diesel	Manual	245/70R16	16x6.5J

SUSPENSION SELECTION

FRONT SELECTION	
DESCRIPTION	PART #
SPRINGS	
NO ACCESSORIES	3057
BAR ONLY	2883
BAR & WINCH	2869
BAR/ WINCH & ACC	3114
STRUTS	
NITROCHARGER SPORT	90022 ¹
	90023 ¹
BP-51	
BP-51 COIL OVER RH	BP5190009R
BP-51 COIL OVER LH	BP5190009L
BP-51 FRONT FIT KIT	VM80010030
FIT KITS & HARDWARE	
TRIM PACKER (if required)	OME95PF5

REAR SELECTION	
DESCRIPTION	PART #
LEAF SPRINGS	
CONSTANT 300kg	EL109R
CONSTANT 600kg	EL110R
EXTRA LEAF (if required)	EL39XL
SHOCKS	
NITROCHARGER SPORT	60116 ¹
	60117 ¹
BP-51	
BP-51 SHOCK LH	BP5160016
BP-51 SHOCK RH	BP5160048
BP-51 REAR FIT KIT	VM80010031
FIT KITS & HARDWARE	
U BOLTS	OMEU53A
	OMEU53B
SPRING BUSH KIT	OMESB98
	OMESB107
GREASABLE SHACKLE KIT (optional)	OMEGS14
GREASABLE PIN KIT (optional)	OMEGP9
HANDBRAKE CABLE FIT KIT	FK87

1. When remaining stock of 60116, 60117, 90022, 90023 and HC3300 is exhausted no further product will be available.

HISTORICAL REFERENCE - GVM UPGRADE - HOLDEN

COLORADO 2012 ON (Catalogue 29.1 04/2015)

AUSTRALIA ONLY

OE GVM	3100kg	SEATING CAPACITY: 2, 3, 4, 5
Upgraded GVM	3235kg	
ADR Approval Number		

VEHICLE VARIANTS

DESCRIPTION	BODY STYLE	ENGINE	TRANSMISSION	TYRE DESIGNATION	RIM SIZE
Crew Cab	Pick Up	2.8 Diesel	Manual	255/65R17	17x7J
			Automatic	245/70R16	16x6.5J
Crew Cab	Cab Chassis	2.8 Diesel	Manual	245/70R16	16x6.5J
Space Cab	Pick Up	2.8 Diesel	Manual	255/65R17	17x7J
			Automatic	245/70R16	16x6.5J
Space Cab	Cab Chassis	2.8 Diesel	Manual	245/70R16	16x6.5J
Single Cab	Cab Chassis	2.8 Diesel	Manual	245/70R16	16x6.5J
			Automatic		

SUSPENSION SELECTION

DESCRIPTION	PART NUMBER
COLORADO COMPLIANCE KIT	HC3235

FRONT COILS

BAR ONLY	3057
BAR & WINCH	3058
FRONT STRUT	90022 ¹
	90023 ¹
TRIM PACKER (if required)	OME95PF5

DESCRIPTION	PART NUMBER
REAR LEAF SPRINGS	
CONSTANT 300kg	EL073R ¹
CONSTANT 600kg	EL074R ¹
EXTRA LEAF (if required)	EL39XL
REAR SHOCKS	60116 ¹
	60117 ¹
U BOLTS	OMEU53A
SPRING BUSH KIT	OMESB107
GREASABLE SHACKLE KIT (optional)	OME95S14
GREASEABLE SHACKLE BUSH KIT (optional)	OMESB98

1. When remaining stock of 60116, 60117, 90022, 90023, EL073R and EL074R is exhausted no further product will be available.

HISTORICAL REFERENCE - GVM UPGRADE - ISUZU

DMAX 2012 ON (Catalogue 29.1 04/2015)

AUSTRALIA ONLY

OE GVM	2950kg	SEATING CAPACITY: 2, 4, 5
Upgraded GVM	3220kg	
ADR Approval Number	44897	

VEHICLE VARIANTS

DESCRIPTION	BODY STYLE	ENGINE	TRANSMISSION	TYRE DESIGNATION	RIM SIZE
Crew Cab	Utility	3.0 Diesel	Manual	255/65R17	17x7J
			Automatic	245/70R16	16x7J
Crew Cab	Cab Chassis	3.0 Diesel	Manual	245/70R16	16x7J
			Automatic		
Space Cab	Utility	3.0 Diesel	Manual	255/65R17	17x7J
			Automatic		
Space Cab	Cab Chassis	3.0 Diesel	Manual	245/70R16	16x7J
			Automatic		
Single Cab	Cab Chassis	3.0 Diesel	Manual Automatic	245/70R16	16x7J

SUSPENSION SELECTION

DESCRIPTION	PART NUMBER
DMAX COMPLIANCE KIT	DM3220 ¹

FRONT COILS	
BAR ONLY	3057
BAR & WINCH	3058
FRONT STRUT	90022 ¹
	90023 ¹
TRIM PACKER (if required)	OME95PF5

DESCRIPTION	PART NUMBER
REAR LEAF SPRINGS	
CONSTANT 300kg	EL073R ¹
CONSTANT 600kg	EL074R ¹
EXTRA LEAF (if required)	EL39XL
REAR SHOCKS	60116 ¹
	60117 ¹
U BOLTS	OMEU53A
SPRING BUSH KIT	OMESB107
GREASABLE SHACKLE KIT (optional)	OMEGS14
GREASEABLE SHACKLE BUSH KIT (optional)	OMESB98

1. When remaining stock of 60116, 60117, 90022, 90023, DM3220, EL073R and EL074R is exhausted no further product will be available.

HISTORICAL REFERENCE - GVM UPGRADE - MAZDA

(Catalogue 40 07/2019)

BT-50 2011 ON 4X4 ONLY

AUSTRALIA ONLY

OE GVM	3200kg	FOR PRE REGISTERED VEHICLES ONLY
Upgraded GVM	*3500kg	SEATING CAPACITY: 2, 3, 4, 5
ADR Approval Number	44120	*SPECIAL REQUIREMENTS: Minimum of 600kg permanently carried load. NOTE: Warning Labels, part numbers 215727 ¹ /8 ¹ /32/38/39, supplied with compliance kits. For specific placement locations refer to PIB No. 318

VEHICLE VARIANTS - 4X4 ONLY

DESCRIPTION	BODY STYLE	ENGINE	TRANSMISSION	TYRE DESIGNATION	RIM SIZE
Dual Cab	Utility	3.2 Diesel	Manual	255/70R16	16x7J
			Automatic	265/65R17	17x7.5J
Dual Cab	Cab Chassis	3.2 Diesel	Manual	255/70R16	16x7J
			Automatic	265/65R17	17x7.5J
Freestyle Cab	Utility	3.2 Diesel	Manual	255/70R16	16x7J
			Automatic	265/65R17	17x7.5J
Freestyle Cab	Cab Chassis	3.2 Diesel	Manual	255/70R16	16x7J
			Automatic	265/65R17	17x7.5J
Single Cab	Cab Chassis	3.2 Diesel	Manual	255/70R16	16x7J
			Automatic	265/65R17	17x7.5J

SUSPENSION SELECTION

DESCRIPTION	PART NUMBER
BT-50 COMPLIANCE KIT	BT503500 ¹

FRONT COILS	
NO ACCESSORIES	2997
BAR ONLY	2998
BAR & WINCH	2999
NO ACCESSORIES 30MM LIFT	3048
FRONT STRUTS	90019 ¹
	90020 ¹
BP-51 COIL OVER RH	BP5190005R
BP-51 COIL OVER LH	BP5190005L
BP-51 KIT	VM80010011
TRIM PACKER (if required)	FK56

DESCRIPTION	PART NUMBER
REAR LEAF SPRINGS	
CONSTANT 600kg	EL069R ¹
EXTRA LEAF (if required)	EL34XL
BP-51 SHOCK RH	*BP5160037R / BP5160027R
BP-51 SHOCK LH	*BP5160037L / BP5160027L
BP-51 KIT REAR	VM80010019
REAR SHOCK	60102 ¹
U BOLTS	OMEU66A
	OMEU66B
GREASEABLE SHACKLE BUSH KIT	OMESB103
GREASABLE SHACKLE KIT (optional)	OMEGS20
DRIVELINE SPACER KIT (optional)	FK57

1. When remaining stock of 215727, 215728, 60102, 90019, 90020, BT503500, EL069R and EL104R is exhausted no further product will be available.

HISTORICAL REFERENCE - GVM UPGRADE - MAZDA

(Catalogue 28.2 05/2013)

BT-50 2011 ON

AUSTRALIA ONLY

OE GVM	3200kg
Upgraded GVM	3330kg
ADR Approval Number	44120

VEHICLE VARIANTS

DESCRIPTION	BODY STYLE	ENGINE	TRANSMISSION	TYRE DESIGNATION	RIM SIZE
Dual Cab	Utility	3.2 Diesel	Manual	225/70R16	16x7J
			Automatic	265/65R17	17x7.5J
Dual Cab	Cab Chassis	3.2 Diesel	Manual	255/70R16	16x7J
			Automatic	265/65R17	17x7.5J
Freestyle Cab	Utility	3.2 Diesel	Manual	255/70R16	16x7J
			Automatic	265/65R17	17x7.5J
Freestyle Cab	Cab Chassis	3.2 Diesel	Manual	255/70R16	16x7J
			Automatic	265/65R17	17x7.5J

SUSPENSION SELECTION

DESCRIPTION	PART NUMBER
BT-50 COMPLIANCE KIT	BT503330 ¹

FRONT COILS	
BAR ONLY	2998
BAR & WINCH	2999
FRONT STRUT	90019 ¹
	90020 ¹
TRIM PACKER (if required)	FK56

DESCRIPTION	PART NUMBER
REAR LEAF SPRINGS	
CONSTANT 300kg	CS068R ¹ / EL068R ¹
CONSTANT 600kg	CS069R ¹ / EL069R ¹
EXTRA LEAF (if required)	D34XL / EL34XL
REAR SHOCKS	60101 ¹
	60102 ¹
U BOLTS	OMEU66A OMEU66B
SPRING BUSH KIT	OMESB102
GREASABLE SHACKLE KIT (optional)	OMEGS20
GREASEABLE SHACKLE BUSH KIT (optional)	OMESB103
DRIVELINE SPACER KIT (optional)	FK57
CENTRE BOLT	UCB19

1. When remaining stock of 60101, 60102, 90019, 90020, BT503330, CS068R, CS069R, EL068R, EL069R, EL103R and EL104R is exhausted no further product will be available.

HISTORICAL REFERENCE - GVM UPGRADE - NISSAN

(Catalogue 31 12/2015)

PATROL Y61 CAB CHASSIS LEAF SPRING

AUSTRALIA ONLY

OE GVM	3400kg	
Upgraded GVM	3700kg	
	3900kg	<small>** only applicable for models with 7.5R16LT tyres.</small>
ADR Approval Number	24892	

**Category 6 Side Indicators required for both 3700kg and 3900kg upgrades.

VEHICLE VARIANTS

DESCRIPTION	BODY STYLE	ENGINE	TRANSMISSION	TYRE DESIGNATION	RIM SIZE
DX Leaf	Cab Chassis	3.0 Diesel	Manual	7.5R16LT 265/75R16	5.50x16 16x8JJ

SUSPENSION SELECTION

DESCRIPTION	PART NUMBER
COMPLIANCE KIT 3700KG	GU3700 ¹
COMPLIANCE KIT 3900KG	GU3900
CATEGORY 6 SIDE INDICATORS	13.1049.000 ¹

FRONT COILS

50mm LIFT TO 50KG	2973
50mm LIFT 51 TO 110KG	2970
20mm LIFT TO 50KG	2974
20mm LIFT 51 TO 110KG	2972
FRONT SHOCKS	60055
	N19 ¹
CASTER KIT (if required)	OMECA77B

DESCRIPTION	PART NUMBER
<b style="color: red;">REAR LEAF SPRINGS	
CONSTANT 400KG	CS016RA/B
REAR SHOCKS	60054
	N25 ¹
SPRING BUSH KIT	OMESB64
ANTI INVERSION KIT	FK08
GREASABLE SHACKLE KIT (optional)	OMEGS1
GREASABLE FIXED END KIT (optional)	OMEGP2
BUMP STOP EXTENSION KIT (optional)	FK41
U BOLT	OMEU64
BRAKE PROPORTIONING BRACKET	FK78

1. When remaining stock of GU3700, 13.1049.000, N19 and N25 is exhausted no further product will be available.

GVM UPGRADE - TOYOTA

HILUX 21 TO 23 4X4 ONLY - ONLY For HiLux Rugged X/Rogue AUSTRALIA ONLY

OE GVM	3050kg	FOR PRE REGISTERED VEHICLES ONLY	
Upgraded GVM	3465kg	SEATING CAPACITY: 5	
RVSA Approval Number	VTA-051233	*SPECIAL REQUIREMENTS* Minimum of 600kg permanently carried load at all times.	
Compliance Kit Number	HI3465	NOTE: Warning Labels, part numbers 215738/39/29, supplied with compliance kits.	
Axle Loads	Front OE	1450kg	Front Upgraded
	Rear OE	1700kg	Rear Upgraded
		1595kg	1870kg

VEHICLE VARIANTS - 4X4 ONLY

DESCRIPTION	BODY STYLE	ENGINE	TRANSMISSION	TYRE DESIGNATION	RIM SIZE
Double Cab	Utility	2.8 Diesel	Automatic	265/60R18	18x7.5J
Double Cab Rogue	Utility	2.8 Diesel	Automatic	265/60R18	18x7.5J
Double Cab Rugged X	Utility	2.8 Diesel	Automatic	265/60R18	18x7.5J

SUSPENSION SELECTION

FRONT SELECTION	
DESCRIPTION	PART NUMBER
SPRINGS - 20mm	
NO ACCESSORIES	3114
BAR ONLY	2885
BAR & WINCH	2887
BAR/ WINCH & ACC	2888
SPRINGS - 40mm	
NO ACCESSORIES	2884
BAR ONLY	3176
BAR & WINCH	3190
BAR/ WINCH & ACC	3177
NITROCHARGER SPORT	
STRUTS	90028
	90029
BP-51	
BP-51 COIL OVER RH	BP5190007R
BP-51 COIL OVER LH	BP5190007L
BP-51 FRONT FIT KIT	VM80010018
FIT KITS & HARDWARE	
UPPER CONTROL ARM (optional)	UCA0003
TRIM PACKER (if required)	OME95PF5

REAR SELECTION		
DESCRIPTION	PART NUMBER	
LEAF SPRINGS		
CONSTANT 600kg	EL107R	
EXTRA LEAF (if required)	EL45XL	
NITROCHARGER SPORT		
SHOCKS	60133	
BP-51		
BP-51 SHOCK RH	BP5160018R	*BP5160051R
BP-51 SHOCK LH	BP5160018L	*BP5160051L
BP-51 REAR FIT KIT	VM80010019	VM80010019
FIT KITS & HARDWARE		
U BOLTS	OMEU53B	
SPRING BUSH KIT	OMESB98	
GREASABLE SHACKLE KIT (optional)	OMEGS25	
GREASABLE PIN KIT (optional)	OMEGP9	
HEADLAMP LEVELLING BRACKET	FK86	

HISTORICAL REFERENCE - GVM UPGRADE - TOYOTA

(Catalogue 41 10/2019)

HILUX 2015 ON 4X4 ONLY - Not HiLux Rugged X AUSTRALIA ONLY

OE GVM	3000kg	FOR PRE REGISTERED VEHICLES ONLY
Upgraded GVM	*3465kg	SEATING CAPACITY: 2, 4, 5
ADR Approval Number	48108	<p>*SPECIAL REQUIREMENTS: Minimum of 600kg permanently carried load.</p> <p><small>NOTE: Warning Labels, part numbers 215727¹/38/28¹/39/29, supplied with compliance kits. For specific placement locations refer to PIB No's. 318 & 1017.</small></p>

VEHICLE VARIANTS - 4X4 ONLY

DESCRIPTION	BODY STYLE	ENGINE	TRANSMISSION	TYRE DESIGNATION	RIM SIZE
Double Cab	Utility	2.4/2.8 Diesel	Manual	265/65R17	17x7.5J
		4.0 Petrol	Automatic	265/60R18	18x7.5J
Double Cab	Cab Chassis	2.8 Diesel	Manual	265/65R17	17x7.5J
			Automatic		
Extra Cab	Utility	2.8 Diesel	Manual	265/65R17	17x7.5J
			Automatic	265/60R18	18x7.5J
Extra Cab	Cab Chassis	2.4/2.8 Diesel	Manual	265/65R17	17x7.5J
			Automatic		
Single Cab	Cab Chassis	2.4/2.8 Diesel	Manual Automatic	225/70R17C	17x6J

SUSPENSION SELECTION

DESCRIPTION	PART NUMBER
COMPLIANCE KIT 3465KG	HI3465

FRONT COILS	
NO ACCESSORIES	2869
BAR ONLY	2884
BAR & WINCH	2885
BAR, WINCH & ACCESSORIES	2887
FRONT STRUTS	90028 ¹
	90029 ¹
BP-51 COIL OVER RH	BP5190007R
BP-51 COIL OVER LH	BP5190007L
BP-51 FRONT FIT KIT	VM80010018
TRIM PACKER (optional)	OME95PF5

DESCRIPTION	PART NUMBER
REAR LEAF SPRINGS	
CONSTANT 600KG	EL091R ¹
EXTRA LEAF (if required)	EL45XL
REAR SHOCK	60133 ¹
BP-51 SHOCK RH	BP5160018R
BP-51 SHOCK LH	BP5160018L
BP-51 REAR FIT KIT	VM80010019
UBOLTS	OMEU53B
SPRING BUSH KIT	OMESB98
GREASABLE SHACKLE KIT (optional)	OMEGS25
HEADLAMP LEVELLING BRACKET	FK86

1. When remaining stock of 215727, 215728, 60133, 90028, 90029 and EL091R is exhausted no further product will be available.

HISTORICAL REFERENCE - GVM UPGRADE - TOYOTA

(Catalogue 41 10/2019)

HILUX 2015 ON 4X4 ONLY - Not HiLux Rugged X AUSTRALIA ONLY

OE GVM	3000kg	FOR PRE REGISTERED VEHICLES ONLY			
Upgraded GVM	3150kg	SEATING CAPACITY: 2, 4, 5			
ADR Approval Number	48108				
VEHICLE VARIANTS - 4X4 ONLY					
DESCRIPTION	BODY STYLE	ENGINE	TRANSMISSION	TYRE DESIGNATION	RIM SIZE
Double Cab	Utility	2.4/2.8 Diesel	Manual	265/65R17	17x7.5J
		4.0 Petrol	Automatic	265/60R18	18x7.5J
Double Cab	Cab Chassis	2.8 Diesel	Manual	265/65R17	17x7.5J
			Automatic		
Extra Cab	Utility	2.8 Diesel	Manual	265/65R17	17x7.5J
			Automatic		
Extra Cab	Cab Chassis	2.4/2.8 Diesel	Manual	265/65R17	17x7.5J
			Automatic		
Single Cab	Cab Chassis	2.4/2.8 Diesel	Manual Automatic	225/70R17C	17x6J

SUSPENSION SELECTION

DESCRIPTION	PART NUMBER
COMPLIANCE KIT 3150KG	HI3150 ¹

FRONT COILS	
NO ACCESSORIES	2869
BAR ONLY	2884
BAR & WINCH	2885
BAR, WINCH & ACCESSORIES	2887
FRONT STRUTS	90028 ¹
	90029 ¹
BP-51 COIL OVER RH	BP5190007R
BP-51 COIL OVER LH	BP5190007L
BP-51 FRONT FIT KIT	VM80010018
TRIM PACKER (optional)	OME95PF5

DESCRIPTION	PART NUMBER
REAR LEAF SPRINGS	
CONSTANT 300KG	EL090R ¹
CONSTANT 600KG	EL091R ¹
EXTRA LEAF (if required)	EL45XL
REAR SHOCKS	60132 ¹
	60133 ¹
BP-51 SHOCK RH	BP5160018R
BP-51 SHOCK LH	BP5160018L
BP-51 REAR FIT KIT	VM80010019
UBOLTS	OMEU53A
	OMEU53B
SPRING BUSH KIT	OMESB98
GREASABLE SHACKLE KIT (optional)	OMEGS25
HEADLAMP LEVELLING BRACKET	FK86

1. When remaining stock of 60132, 60133, 90028, 90029, HI3150, EL090R and EL091R is exhausted no further product will be available.

HISTORICAL REFERENCE - GVM UPGRADE - TOYOTA

LANDCRUISER 200 SERIES

AUSTRALIA ONLY

OE GVM	3350kg	FOR PRE REGISTERED VEHICLES ONLY	
Upgraded GVM	3650kg	GX MODEL	
RVSA Approval Number	44363	SEATING CAPACITY: 5	
Compliance Kit Number	GX3650	*CAT6 INDICATORS* (REQUIRED)	*93214*

OE GVM	3350kg	FOR PRE REGISTERED VEHICLES ONLY	
Upgraded GVM	3650kg	GXL, VX, SAHARA MODELS	
RVSA Approval Number	40331	SEATING CAPACITY: 7,8	
Compliance Kit Number	2003650		

VEHICLE VARIANTS - GX Model

DESCRIPTION	BODY STYLE	ENGINE	TRANSMISSION	TYRE DESIGNATION	RIM SIZE
200 Series GX	Wagon	Diesel	Automatic	285/65R17	17x8J

VEHICLE VARIANTS - GXL, VX, SAHARA Models

DESCRIPTION	BODY STYLE	ENGINE	TRANSMISSION	TYRE DESIGNATION	RIM SIZE
200 Series GXL, VX, SAHARA	Wagon	Diesel	Automatic	285/65R17	17x8J
		Petrol		285/60R18	18x8J

Front Upgraded Axle Load: 1700kg

Rear Upgraded Axle Load: 1950kg

SUSPENSION SELECTION

FRONT SELECTION	
DESCRIPTION	PART NUMBER
SPRINGS - 25mm	
NO ACCESSORIES	2700
BAR/ WINCH & ACC	2701
SPRINGS - 50mm	
NO ACCESSORIES	2702
BAR/ WINCH & ACC	2703
STRUTS	
NITROCHARGER SPORT	91005
BP-51	
BP-51 COIL OVER RH	BP5190003R
BP-51 COIL OVER LH	BP5190003L
BP-51 FRONT FIT KIT	VM80010003
FIT KITS & HARDWARE	
UPPER CONTROL ARM (optional)	UCA0001
TRIM PACKER (if required)	OME95PF5

REAR SELECTION	
DESCRIPTION	PART NUMBER
LEAF SPRINGS	
CONSTANT 200kg	2723
CONSTANT 400kg	2724
CONSTANT 600kg	2725
CONSTANT 200kg - KDSS	3186
CONSTANT 400kg - KDSS	3187
CONSTANT 600kg - KDSS	3188
SHOCKS	
NITROCHARGER SPORT	61030
BP-51	
BP-51 SHOCK	BP5160026 *BP5160053
BP-51 REAR FIT KIT	VM80010004
BP-51 REAR FIT KIT KDSS	VM80010005
FIT KITS & HARDWARE	
TRIM PACKERS (if required)	OME80PR05 OME80PR10
STONE GUARD KIT (Nitrocharger Sport)	OME661
HEAVY DUTY REAR SWAY BAR (recommended fit for NON KDSS Models)	OMESTAB5

HISTORICAL REFERENCE - GVM UPGRADE - TOYOTA

LANDCRUISER 200 SERIES

AUSTRALIA ONLY

OE GVM	3350kg	FOR PRE REGISTERED VEHICLES ONLY	
Upgraded GVM	*4015kg	GX MODEL: SEATING CAPACITY 5	
RVSA Approval Number	44363	*CAT6 INDICATORS* (REQUIRED)	*93214*
Compliance Kit Number	GX4015	NOTE: Warning Labels, part numbers 215754/38/39 & 215971 ¹ , supplied with compliance kits.	

OE GVM	3350kg	FOR PRE REGISTERED VEHICLES ONLY	
Upgraded GVM	4015kg	GXL, VX, SAHARA MODELS	
RVSA Approval Number	40331	SEATING CAPACITY: 7,8	
Compliance Kit Number	2004015		

VEHICLE VARIANTS - GX Model

DESCRIPTION	BODY STYLE	ENGINE	TRANSMISSION	TYRE DESIGNATION	RIM SIZE
200 Series GX	Wagon	Diesel	Automatic	285/65R17	17x8J

VEHICLE VARIANTS - GXL, VX, SAHARA Models

DESCRIPTION	BODY STYLE	ENGINE	TRANSMISSION	TYRE DESIGNATION	RIM SIZE
200 Series GXL, VX, SAHARA	Wagon	Diesel	Automatic	285/65R17	17x8J
		Petrol		285/60R18	18x8J

Front Upgraded Axle Load: 1870kg

Rear Upgraded Axle Load: 2145kg

SUSPENSION SELECTION

FRONT SELECTION	
DESCRIPTION	PART NUMBER
SPRINGS - 25mm	
NO ACCESSORIES	2700
BAR/ WINCH & ACC	2701
SPRINGS - 50mm	
NO ACCESSORIES	2702
BAR/ WINCH & ACC	2703
STRUTS	
NITROCHARGER SPORT	91005 ¹
BP-51	
BP-51 COIL OVER RH	BP5190003R
BP-51 COIL OVER LH	BP5190003L
BP-51 FRONT FIT KIT	VM80010003
FIT KITS & HARDWARE	
UPPER CONTROL ARM (optional)	UCA0001
TRIM PACKER (if required)	OME95PF5

REAR SELECTION	
DESCRIPTION	PART NUMBER
LEAF SPRINGS	
CONSTANT 400kg	2724
CONSTANT 600kg	2725
CONSTANT 400kg - KDSS	3187
CONSTANT 600kg - KDSS	3188
SHOCKS	
NITROCHARGER SPORT	61030 ¹
BP-51	
BP-51 SHOCK RH	BP5160026
	*BP5160053
BP-51 REAR FIT KIT	VM80010004
BP-51 REAR FIT KIT KDSS	VM80010005
FIT KITS & HARDWARE	
TRIM PACKERS (if required)	OME80PR05
	OME80PR10
STONE GUARD KIT (Nitrocharger Sport)	OME661
HEAVY DUTY REAR SWAY BAR (recommended fit for NON KDSS Models)	OMESTAB5

1. When remaining stock of 215971, 61030 and 91005 is exhausted no further product will be available.

HISTORICAL REFERENCE - GVM UPGRADE - TOYOTA

(Catalogue 42 12/2019)

LANDCRUISER 200 SERIES

AUSTRALIA ONLY

FOR PRE REGISTERED VEHICLES ONLY		
GX MODEL	GXL, VX, SAHARA MODELS	
SEATING CAPACITY: 5	SEATING CAPACITY: 7, 8	
OE GVM	3350kg	3350kg
Upgraded GVM	3845kg **	3845kg
ADR Approval Number	44363	40331
*SPECIAL REQUIREMENTS: Minimum of 600kg permanently carried load.	*SPECIAL REQUIREMENTS: Minimum of 600kg permanently carried load.	
NOTE: Warning Labels, part numbers 215727 ¹ /38/28 ¹ /39/35, supplied with compliance kits. For specific placement locations refer to PIB No's. 608 & 1017.	NOTE: Warning Labels, part numbers 215727 ¹ /38/28 ¹ /39/35, supplied with compliance kits. For specific placement locations refer to PIB No's. 608 & 1017.	
**Category 6 Side Indicators required ONLY for 3845kg GX model.		

VEHICLE VARIANTS - GX Model

DESCRIPTION	BODY STYLE	ENGINE	TRANSMISSION	TYRE DESIGNATION	RIM SIZE
200 Series GX	Wagon	V8 Diesel	Automatic	285/65R17	17x8J

VEHICLE VARIANTS - GXL, VX, SAHARA Models

DESCRIPTION	BODY STYLE	ENGINE	TRANSMISSION	TYRE DESIGNATION	RIM SIZE
200 Series GXL, VX, SAHARA	Wagon	Diesel	Automatic	285/65R17	17x8J
		Petrol		285/60R18	18x8J

Front Upgraded Axle Load: 1870kg

Rear Upgraded Axle Load: 2145kg

SUSPENSION SELECTION

DESCRIPTION	PART NUMBER
COMPLIANCE KIT 3845KG - GX only	GX3845 ¹
COMPLIANCE KIT 3845KG - GXL/VX/SAHARA only	2003845 ¹
CATEGORY 6 SIDE INDICATORS - GX 3845kg Only	13.1051.000 ¹

FRONT COILS

SPRINGS NO WEIGHT (25mm LIFT)	2700
SPRINGS NO WEIGHT (50mm LIFT)	2702
SPRINGS 100KG (25mm LIFT)	2701
SPRINGS 100KG (50mm LIFT)	2703
FRONT STRUT	91005 ¹
BP-51 COIL OVER RH	BP5190003R
BP-51 COIL OVER LH	BP5190003L
BP-51 FIT KIT	VM80010003
COIL PACKER (if required)	OME95PF5

DESCRIPTION	PART NUMBER
REAR COIL SPRINGS	
CONSTANT 400KG	2724
CONSTANT 600KG	2725
REAR SHOCK	61030 ¹
BP-51 REAR SHOCK	BP5160026
BP-51 FIT KIT	VM80010004
BP-51 FIT KIT KDSS REAR	VM80010005
TRIM PACKERS (if required)	OME80PR05
	OME80PR10
STONE GUARD KIT (recommended)	OME661
HEAVY DUTY REAR SWAY BAR (recommended fit for NON KDSS Models)	OMESTAB5

1. When remaining stock of 13.1051.000, 2003845, 215727, 215728, 61030, 91005 and GX3845 is exhausted no further product will be available.

HISTORICAL REFERENCE - GVM UPGRADE - TOYOTA

(Catalogue 31 12/2015)

LANDCRUISER 200 SERIES

AUSTRALIA ONLY

	GX MODEL	GXL, VX, SAHARA MODELS
OE GVM	3300kg	3300kg
Upgraded GVM	3500kg 3580kg **	3580kg
ADR Approval Number	44136	40331

**Category 6 Side Indicators required ONLY for 3580kg GX model.

VEHICLE VARIANTS - GX Model

DESCRIPTION	BODY STYLE	ENGINE	TRANSMISSION	TYRE DESIGNATION	RIM SIZE
200 Series GX	Wagon	V8 Diesel	Automatic	285/65R17	17x8J

VEHICLE VARIANTS - GXL, VX, SAHARA Models

DESCRIPTION	BODY STYLE	ENGINE	TRANSMISSION	TYRE DESIGNATION	RIM SIZE
200 Series	Wagon	V8 Diesel	Automatic	285/65R17	17x8J
		V8 Petrol (4464)	Manual	285/60R18	18x8J
		V8 Petrol (4608)		285/65R17	17x8J

Front Upgraded Axle Load: 1630kg

Rear Upgraded Axle Load: 1950kg

SUSPENSION SELECTION

DESCRIPTION	PART NUMBER
COMPLIANCE KIT 3500KG - GX only	GX3500 ¹
COMPLIANCE KIT 3580KG - GX only	GX3580 ¹
COMPLIANCE KIT 3580KG	2003580 ¹
CATEGORY 6 SIDE INDICATORS - GX 3580kg Only	13.1049.000 ¹

FRONT COILS

SPRINGS 100KG (25mm LIFT)	2701
SPRINGS 100KG (50mm LIFT)	2703
FRONT STRUT	91005 ¹
BP-51 COIL-OVER	BP5190003L
	BP5190003R
BP-51 FIT KIT	VM80010003
COIL PACKER (if required)	OME95PF5

DESCRIPTION	PART NUMBER
REAR COIL SPRINGS	
CONSTANT 200KG	2723
CONSTANT 400KG	2724
CONSTANT 600KG	2725
REAR SHOCKS	61030 ¹
BP-51 REAR SHOCKS	BP5160003 ¹
BP-51 FIT KIT	VM80010004
BP-51 FIT KIT KDSS REAR	VM80010005
TRIM PACKER (if required)	OME80PR05
	OME80PR10
STONE GUARD KIT (recommended)	OME661

1. When remaining stock of 13.1049.000, 2003580, 61030, 91005, BP5160003, GX3500 and GX3580 is exhausted no further product will be available.

HISTORICAL REFERENCE - GVM UPGRADE - TOYOTA

CAT 56

LANDCRUISER 70 SERIES DUAL CAB - TECH PACK

AUSTRALIA ONLY

OE GVM		3510kg	FOR PRE REGISTERED VEHICLES ONLY		
Upgraded GVM		3950kg	SEATING CAPACITY: 5		
RVSA Approval Number		VTA-062507	*SPECIAL REQUIREMENTS*		
Compliance Kit Number		70T3950	Minimum of 600kg permanently carried load at all times.		
Axle Loads			<small>NOTE: Warning Labels, part numbers 215738/39/87/88, supplied with compliance kits. For specific placement locations refer to PIB No's. 422 & 1017.</small>		
	Front OE	1480kg	Front Upgraded	1540kg	
	Rear OE	2300kg	Rear Upgraded	2410kg	
VEHICLE VARIANTS - DUAL CAB 4 DOOR CAB CHASSIS					
DESCRIPTION	BODY STYLE	ENGINE	TRANSMISSION	TYRE DESIGNATION	RIM SIZE
70 Series Dual Cab	Cab Chassis	4.5 Turbo Diesel	Manual	225/95R16 265/70R16	16x6J 16x7JJ

SUSPENSION SELECTION

FRONT SELECTION	
DESCRIPTION	PART NUMBER
SPRINGS	
NO ACC or BAR ONLY	2856
BAR/ WINCH & ACC	2859
NITROCHARGER	
NITROCHARGER SPORT	60008
NITROCHARGER PLUS	63008
MT64	
SHOCK MT64 FRONT	MT64601003
BP-51	
BP-51 SHOCK FRONT	BP5160042
BP-51 FRONT FIT KIT	VM80010006
FIT KITS & HARDWARE	
STEERING DAMPER (optional)	OMESD47
CASTER KIT (if required)	OMECA77B
SWAY BAR SPACER KIT (if required)	FK19

NOTE: There is a choice of front and rear springs depending on the set up of the particular vehicle. Please read comments relating to fitment of components. For all information refer to the vehicle specific selection page.

REAR SELECTION	
DESCRIPTION	PART NUMBER
MULTI-LEAF SPRINGS	
CONSTANT 500/600kg	EL115R
CONSTANT 700/800kg	EL116R
EXTRA LEAF (if required)	EL14XL
NITROCHARGER	
NITROCHARGER SPORT	*60109 / 60011
NITROCHARGER PLUS	*63109 / 63011
MT64	
SHOCK MT64	MT64601005
SHOCK MT64 Heavy	*MT64601006
SHOCK MT64 Long	MT64601008
BP-51	
BP-51 SHOCK REAR SUITS EL115R	BP5160028
BP-51 SHOCK REAR SUITS EL116R	BP5160052
BP-51 REAR FIT KIT	VM80010007
FIT KITS & HARDWARE	
U BOLTS	OMEU59B OMEU59C
SPRING BUSH KIT	OMESB101
GREASABLE BUSH KIT (optional)	OMESB85
GREASABLE SHACKLE KIT (optional)	OMEGS10
GREASABLE SHACKLE END PIN KIT (optional)	OMEGP7
REAR SWAY BAR HD (MANDATORY)	OMESTAB9
SWAY BAR FIT KIT (MANDATORY)	FK76 FK77

HISTORICAL REFERENCE - GVM UPGRADE - TOYOTA

CAT 56

LANDCRUISER 70 SERIES DUAL CAB - TECH PACK

AUSTRALIA ONLY

OE GVM		3510kg	FOR PRE REGISTERED VEHICLES ONLY		
Upgraded GVM		3780kg	SEATING CAPACITY: 5		
RVSA Approval Number		VTA-062507			
Compliance Kit Number		70T3780			
Axle Loads	Front OE	1480kg	Front Upgraded	1480kg	
	Rear OE	2300kg	Rear Upgraded	2300kg	
VEHICLE VARIANTS - DUAL CAB 4 DOOR CAB CHASSIS					
DESCRIPTION	BODY STYLE	ENGINE	TRANSMISSION	TYRE DESIGNATION	RIM SIZE
70 Series Dual Cab	Cab Chassis	4.5 Turbo Diesel	Manual	7.5R 16 8PR 265/70R16LT 225/95R 16C	16x5.50F 16x7JJ 16x6J

SUSPENSION SELECTION

FRONT SELECTION	
DESCRIPTION	PART NUMBER
SPRINGS	
NO ACC or BAR ONLY	2856
BAR/ WINCH	2859
NITROCHARGER	
NITROCHARGER SPORT	60008
NITROCHARGER PLUS	63008
MT64	
SHOCK MT64 FRONT	MT64601003
BP-51	
BP-51 SHOCK FRONT	BP5160042
BP-51 FRONT FIT KIT	VM80010006
FIT KITS & HARDWARE FRONT	
STEERING DAMPER (optional)	OMESD47
CASTER KIT (if required)	OMECA77B
SWAY BAR SPACER KIT (if required)	FK19

FIT KITS & HARDWARE REAR	
U BOLTS	OMEU59B OMEU59C
SPRING BUSH KIT	OMESB101
GREASABLE BUSH KIT (optional)	OMESB85
GREASABLE SHACKLE KIT (optional)	OMEGS10
GREASABLE SHACKLE END PIN KIT (optional)	OMEGP7
HEAVY DUTY REAR SWAY BAR (optional)	OMESTAB9
SWAY BAR FIT KIT (optional)	FK76
	FK77

REAR SELECTION	
DESCRIPTION	PART NUMBER
MULTI-LEAF SPRINGS	
CONSTANT 300kg	EL114R
CONSTANT 500kg	EL115R
CONSTANT 700kg	EL116R
EXTRA LEAF (if required)	EL14XL
NITROCHARGER	
NITROCHARGER SPORT	*60109 / 60011
NITROCHARGER PLUS	*63109 / 63011
MT64	
SHOCK MT64	MT64601005
SHOCK MT64 Heavy	*MT64601006
SHOCK MT64 Long	MT64601008
BP-51	
BP-51 SHOCK REAR SUITS EL114R/ EL115R	BP5160028
BP-51 SHOCK REAR SUITS EL116R	BP5160052
BP-51 REAR FIT KIT	VM80010007

NOTE: There is a choice of front and rear springs depending on the set up of the particular vehicle. Please read comments relating to fitment of components. For all information refer to the vehicle specific selection page.

HISTORICAL REFERENCE - GVM UPGRADE - TOYOTA

(Catalogue 41 10/2019)

LANDCRUISER 70 SERIES DUAL CAB - 4 DOOR CAB CHASSIS AUSTRALIA ONLY

OE GVM	3300kg	FOR PRE REGISTERED VEHICLES ONLY
Upgraded GVM	*3950kg **	SEATING CAPACITY: 5
ADR Approval Number	12446	*SPECIAL REQUIREMENTS: Minimum of 600kg permanently carried load. <small>NOTE: Warning Labels, part numbers 215727¹/38/28¹/39/3/4¹/4A, supplied with compliance kits. For specific placement locations refer to PIB No's. 422 & 1017.</small>
<small>**Category 6 Side Indicators required.</small>		

VEHICLE VARIANTS - DUAL CAB 4 DOOR CAB CHASSIS

DESCRIPTION	BODY STYLE	ENGINE	TRANSMISSION	TYRE DESIGNATION	RIM SIZE
70 Series Dual Cab	Cab Chassis	4.5 Turbo Diesel	Manual	225/95R16	16x6J
				265/70R16	16x7JJ

SUSPENSION SELECTION

DESCRIPTION	PART NUMBER
70 SERIES COMPLIANCE KIT	703950
CATEGORY 6 SIDE INDICATORS	13.1051.000 ¹

FRONT COILS

DESCRIPTION	PART NUMBER
NO ACCESSORIES / BAR ONLY	2856
BAR AND WINCH	2859
FRONT SHOCK	60008 ¹
BP-51 SHOCK	BP5160009 ¹
BP-51 FIT KIT	VM80010006
STEERING DAMPER (optional)	OMESD47
CASTER KIT (if required)	OMECA77B
SWAY BAR SPACER KIT (if required)	FK19

DESCRIPTION	PART NUMBER
REAR LEAF SPRINGS	
CONSTANT 600/500KG	EL081R ¹
CONSTANT 800/700KG	EL082R ¹
EXTRA LEAF (if required)	EL14XL
REAR SHOCKS	60011 ¹
	60109 ¹
BP-51 REAR SHOCK SUITS ¹ EL081R	BP5160028
BP-51 REAR SHOCK SUITS ¹ EL082R	BP5160029 ¹
BP-51 FIT KIT	VM80010007
U BOLT	OMEU59B
	OMEU59C
SPRING BUSH KIT	OMESB101
GREASABLE SHACKLE KIT (optional)	OMEGS10
GREASABLE SHACKLE FIXED END PIN KIT (optional)	OMEGP7
GREASABLE SHACKLE BUSH KIT (optional)	OMESB85
HEAVY DUTY REAR SWAY BAR (mandatory)	OMESTAB9
SWAY BAR FIT KITS (mandatory)	FK76
	FK77

1. When remaining stock of 13.1051.000, 215727, 215728, 215734, 60008, 60011, 60109, BP5160009, BP5160029, EL081R and EL082R is exhausted no further product will be available.

HISTORICAL REFERENCE - GVM UPGRADE - TOYOTA

(Catalogue 28.2 05/2013)

LANDCRUISER 70 SERIES DUAL CAB - 4 DOOR CAB CHASSIS AUSTRALIA ONLY

OE GVM	3300kg	SEATING CAPACITY: 5
Upgraded GVM	3780kg	
ADR Approval Number	12446	

**Category 6 Side Indicators required.

VEHICLE VARIANTS

DESCRIPTION	BODY STYLE	ENGINE	TRANSMISSION	TYRE DESIGNATION	RIM SIZE
70 Series Dual Cab	Cab Chassis	4.5 Turbo Diesel	Manual	7.5R 16 8PR 265/70R16LT	16x5.50F 16x7JJ

SUSPENSION SELECTION

DESCRIPTION	PART NUMBER
70 SERIES COMPLIANCE KIT	703780
CATEGORY 6 SIDE INDICATORS	13.1049.000 ¹

FRONT COILS

0 TO 50KG	2859
51 TO 120KG	2853
FRONT SHOCKS	60008 ¹
STEERING DAMPER (optional)	OMESD47
CASTER KIT (if required)	OMECA77B
SWAY BAR SPACER KIT (if required)	FK19
ABS WIRE BRACKET KIT	FK65

DESCRIPTION	PART NUMBER
REAR LEAF SPRINGS	
CONSTANT 300KG	CS014R ¹ / EL014R ¹
CONSTANT 500KG	CS015R ¹ / EL015R ¹
CONSTANT 700KG	CS066R ¹ / EL066R ¹
EXTRA LEAF (if required)	D14XL / EL14XL
REAR SHOCKS	60011 ¹ 60109 ¹
U BOLT	OMEU59B
SPRING BUSH KIT	OMESB101
GREASABLE SHACKLE KIT (optional)	OMECS10
GREASABLE FIXED END KIT (optional)	OMEGP7
GREASABLE SHACKLE BUSH KIT (optional)	OMESB85
HEAVY DUTY REAR SWAY BAR (optional)	OMESTAB2 ¹
SWAY BAR FIT KIT (optional)	FK44 FK45
BRAKE PROPORTIONING BRACKET	FK51 FK58
CENTER BOLT	UCB17 / UCB4

1. When remaining stock of 13.1049.000, 60008, 60011, 60109, CS014R, CS015R, CS066R, EL014R, EL015R, EL066R, EL080R, EL081R, EL082R and OMESTAB2 is exhausted no further product will be available.

GVM UPGRADE - TOYOTA

(Catalogue 52 April 2023)

LANDCRUISER 70 SERIES DUAL CAB - 4 DOOR CAB CHASSIS AUSTRALIA ONLY

OE GVM	3300kg	FOR PRE REGISTERED VEHICLES ONLY			
Upgraded GVM	3950kg	SEATING CAPACITY: 5			
RVSA Approval Number	VTA-012446	*SPECIAL REQUIREMENTS* Minimum of 600kg permanently carried load at all times.			
Compliance Kit Number	703950	NOTE: Warning Labels, part numbers 215738/39/3/4 ¹ or 4A, supplied with compliance kits. For specific placement locations refer to PIB No's. 422 & 1017.			
Category 6 Side Indicators are required		P/N: *93214*			
Axle Loads	Front OE	1480kg	Front Upgraded	1540kg	
	Rear OE	2300kg	Rear Upgraded	2410kg	
VEHICLE VARIANTS - DUAL CAB 4 DOOR CAB CHASSIS					
DESCRIPTION	BODY STYLE	ENGINE	TRANSMISSION	TYRE DESIGNATION	RIM SIZE
70 Series Dual Cab	Cab Chassis	4.5 Turbo Diesel	Manual	225/95R16 265/70R16	16x6J 16x7JJ

SUSPENSION SELECTION

FRONT SELECTION	
DESCRIPTION	PART NUMBER
SPRINGS	
NO ACC or BAR ONLY	2856
BAR/ WINCH & ACC	2859
STRUTS	
NITROCHARGER SPORT	60008
NITROCHARGER PLUS	63008
BP-51	
BP-51 SHOCK FRONT	BP5160042
BP-51 FRONT FIT KIT	VM80010006
FIT KITS & HARDWARE	
STEERING DAMPER (optional)	OMESD47
CASTER KIT (if required)	OMECA77B
SWAY BAR SPACER KIT (if required)	FK19

REAR SELECTION	
DESCRIPTION	PART NUMBER
LEAF SPRINGS	
CONSTANT 500/600kg	EL115R
CONSTANT 700/800kg	EL116R
EXTRA LEAF (if required)	EL14XL
SHOCKS	
NITROCHARGER SPORT	*60109 / 60011
NITROCHARGER PLUS	*63109 / 63011
BP-51	
BP-51 SHOCK REAR SUITS EL115R	BP5160028
BP-51 SHOCK REAR SUITS EL116R	BP5160052
BP-51 REAR FIT KIT	VM80010007
FIT KITS & HARDWARE	
U BOLTS	OMEU59B OMEU59C
SPRING BUSH KIT	OMESB101
GREASABLE BUSH KIT (optional)	OMESB85
GREASABLE SHACKLE KIT (optional)	OMEGB85
GREASABLE SHACKLE END PIN KIT (optional)	OMEGP7
HEAVY DUTY REAR SWAY BAR (MANDATORY)	OMESTAB9
SWAY BAR FIT KIT (MANDATORY)	FK76 FK77

NOTE: There is a choice of front and rear springs depending on the set up of the particular vehicle. Please read comments relating to fitment of components. For all information refer to the vehicle specific selection page.

GVM UPGRADE - TOYOTA

(Catalogue 52 April 2023)

LANDCRUISER 70 SERIES DUAL CAB - 4 DOOR CAB CHASSIS AUSTRALIA ONLY

OE GVM		3300kg	FOR PRE REGISTERED VEHICLES ONLY		
Upgraded GVM		3780kg	SEATING CAPACITY: 5		
RVSA Approval Number		VTA-012446	*CAT6 INDICATORS* (REQUIRED)		P/N: *93214*
Compliance Kit Number		703780			
Axle Loads	Front OE	1480kg	Front Upgraded	1480kg	
	Rear OE	2300kg	Rear Upgraded	2300kg	
VEHICLE VARIANTS - DUAL CAB 4 DOOR CAB CHASSIS					
DESCRIPTION	BODY STYLE	ENGINE	TRANSMISSION	TYRE DESIGNATION	RIM SIZE
70 Series Dual Cab	Cab Chassis	4.5 Turbo Diesel	Manual	7.5R 16 8PR	16x5.50F
				265/70R16LT	16x7JJ
				225/95R 16C	16x6J

SUSPENSION SELECTION

FRONT SELECTION	
DESCRIPTION	PART NUMBER
SPRINGS	
NO ACC or BAR ONLY	2856
BAR/ WINCH	2859
BAR/ WINCH & ACC	2853
STRUTS	
NITROCHARGER SPORT	60008
NITROCHARGER PLUS	63008
BP-51	
BP-51 SHOCK FRONT	BP5160042
BP-51 FRONT FIT KIT	VM80010006
FIT KITS & HARDWARE	
STEERING DAMPER (optional)	OMESD47
CASTER KIT (if required)	OMECA77B
SWAY BAR SPACER KIT (if required)	FK19

REAR SELECTION	
DESCRIPTION	PART NUMBER
LEAF SPRINGS	
CONSTANT 300kg	EL114R
CONSTANT 500kg	EL115R
CONSTANT 700kg	EL116R
EXTRA LEAF (if required)	EL14XL
SHOCKS	
NITROCHARGER SPORT	*60109 / 60011
NITROCHARGER PLUS	*63109 / 63011
BP-51	
BP-51 SHOCK REAR SUITS EL114R/ EL115R	BP5160028
BP-51 SHOCK REAR SUITS EL116R	BP5160052
BP-51 REAR FIT KIT	VM80010007
FIT KITS & HARDWARE	
U BOLTS	OMEU59B
	OMEU59C
SPRING BUSH KIT	OMESB101
GREASABLE BUSH KIT (optional)	OMESB85
GREASABLE SHACKLE KIT (optional)	OMEGB10
GREASABLE SHACKLE END PIN KIT (optional)	OMEGP7
HEAVY DUTY REAR SWAY BAR (optional)	OMESTAB9
SWAY BAR FIT KIT (optional)	FK76
	FK77

NOTE: There is a choice of front and rear springs depending on the set up of the particular vehicle. Please read comments relating to fitment of components. For all information refer to the vehicle specific selection page.

HISTORICAL REFERENCE - GVM UPGRADE - TOYOTA

CAT 56

LANDCRUISER 79 SERIES - SINGLE CAB - TECH PACK AUSTRALIA ONLY

OE GVM		3510kg	FOR PRE REGISTERED VEHICLES ONLY		
Upgraded GVM		3950kg	SEATING CAPACITY: 2, 3		
RVSA Approval Number		VTA-062507	*SPECIAL REQUIREMENTS*		
Compliance Kit Number		79T3950	Minimum of 600kg permanently carried load at all times.		
NOTE: Warning Labels, part numbers 215738/39/87/88, supplied with compliance kits. For specific placement locations refer to PIB No's. 422 & 1017.					
Axle Loads	Front OE	1480kg	Front Upgraded	1540kg	
	Rear OE	2300kg	Rear Upgraded	2410kg	
VEHICLE VARIANTS - 2 DOOR CAB CHASSIS					
DESCRIPTION	BODY STYLE	ENGINE	TRANSMISSION	TYRE DESIGNATION	RIM SIZE
79 Series Single Cab	Cab Chassis	4.5 Turbo Diesel	Manual	225/95R16 265/70R16	16x6J 16x7JJ

SUSPENSION SELECTION

FRONT SELECTION	
DESCRIPTION	PART NUMBER
SPRINGS	
NO ACC or BAR ONLY	2856
BAR/ WINCH & ACC	2859
NITROCHARGER	
NITROCHARGER SPORT	60008
NITROCHARGER PLUS	63008
MT64	
SHOCK MT64 FRONT	MT64601003
BP-51	
BP-51 SHOCK FRONT	BP5160042
BP-51 FRONT FIT KIT	VM80010006
FIT KITS & HARDWARE	
STEERING DAMPER (optional)	OMESD47
CASTER KIT (if required)	OMECA77B
SWAY BAR SPACER KIT (if required)	FK19

NOTE: There is a choice of front and rear springs depending on the set up of the particular vehicle. Please read comments relating to fitment of components. For all information refer to the vehicle specific selection page.

REAR SELECTION	
DESCRIPTION	PART NUMBER
MULTI-LEAF SPRINGS	
CONSTANT 500/600kg	EL115R
CONSTANT 700/800kg	EL116R
EXTRA LEAF (if required)	EL14XL
NITROCHARGER	
NITROCHARGER SPORT	*60109 / 60011
NITROCHARGER PLUS	*63109 / 63011
MT64	
SHOCK MT64	MT64601005
SHOCK MT64 Heavy	*MT64601006
SHOCK MT64 Long	MT64601008
BP-51	
BP-51 SHOCK REAR SUITS EL114R/ EL115R	BP5160028
BP-51 SHOCK REAR SUITS EL116R	BP5160052
BP-51 REAR FIT KIT	VM80010007
FIT KITS & HARDWARE	
U BOLTS	OMEU59B OMEU59C
SPRING BUSH KIT	OMESB101
GREASABLE BUSH KIT (optional)	OMESB85
GREASABLE SHACKLE KIT (optional)	OMEGS10
GREASABLE SHACKLE END PIN KIT (optional)	OMEGP7
HEAVY DUTY REAR SWAY BAR (MANDATORY)	OMESTAB9
SWAY BAR FIT KIT (MANDATORY)	FK76
	FK77

HISTORICAL REFERENCE - GVM UPGRADE - TOYOTA

CAT 56

LANDCRUISER 79 SERIES - SINGLE CAB - TECH PACK AUSTRALIA ONLY

OE GVM		3510kg	FOR PRE REGISTERED VEHICLES ONLY		
Upgraded GVM		3780kg	SEATING CAPACITY: 2, 3		
RVSA Approval Number		VTA-062507			
Compliance Kit Number		79T3780			
Axle Loads	Front OE	1480kg	Front Upgraded	1480kg	
	Rear OE	2300kg	Rear Upgraded	2300kg	
VEHICLE VARIANTS - 2 DOOR CAB CHASSIS					
DESCRIPTION	BODY STYLE	ENGINE	TRANSMISSION	TYRE DESIGNATION	RIM SIZE
79 Series	Cab Chassis	4.5 Turbo Diesel	Manual	7.5R 16 8PR 265/70R16LT 225/95R 16C	16x5.50F 16x7JJ 16x6J

SUSPENSION SELECTION

FRONT SELECTION	
DESCRIPTION	PART NUMBER
SPRINGS	
NO ACC or BAR ONLY	2856
BAR/ WINCH	2859
NITROCHARGER	
NITROCHARGER SPORT	60008
NITROCHARGER PLUS	63008
MT64	
SHOCK MT64 FRONT	MT64601003
BP-51	
BP-51 SHOCK FRONT	BP5160042
BP-51 FRONT FIT KIT	VM80010006
FIT KITS & HARDWARE	
STEERING DAMPER (optional)	OMESD47
CASTER KIT (if required)	OMECA77B
SWAY BAR SPACER KIT (if required)	FK19

NOTE: There is a choice of front and rear springs depending on the set up of the particular vehicle. Please read comments relating to fitment of components. For all information refer to the vehicle specific selection page.

REAR SELECTION	
DESCRIPTION	PART NUMBER
LEAF SPRINGS	
CONSTANT 400kg	EL114R
CONSTANT 600kg	EL115R
CONSTANT 800kg	EL116R
EXTRA LEAF (if required)	EL14XL
NITROCHARGER	
NITROCHARGER SPORT	*60109 / 60011
NITROCHARGER PLUS	*63109 / 63011
MT64	
SHOCK MT64	MT64601005
SHOCK MT64 Heavy	*MT64601006
SHOCK MT64 Long	MT64601008
BP-51	
BP-51 SHOCK REAR SUITS EL114R/ EL115R	BP5160028
BP-51 SHOCK REAR SUITS EL116R	BP5160052
BP-51 REAR FIT KIT	VM80010007
FIT KITS & HARDWARE	
U BOLTS	OMEU59B
	OMEU59C
SPRING BUSH KIT	OMESB101
GREASABLE BUSH KIT (optional)	OMESB85
GREASABLE SHACKLE KIT (optional)	OMEGS10
GREASABLE SHACKLE END PIN KIT (optional)	OMEGP7
HEAVY DUTY REAR SWAY BAR (optional)	OMESTAB9
SWAY BAR FIT KIT (optional)	FK76
	FK77

HISTORICAL REFERENCE - GVM UPGRADE - TOYOTA

(Catalogue 41 10/2019)

LANDCRUISER 79 SERIES - SINGLE CAB - 2 DOOR CAB CHASSIS AUSTRALIA ONLY

OE GVM	3400kg	FOR PRE REGISTERED VEHICLES ONLY
Upgraded GVM	*3950kg **	SEATING CAPACITY: 2, 3
ADR Approval Number	12446	*SPECIAL REQUIREMENTS: Minimum of 600kg permanently carried load.
**Category 6 Side Indicators required.		NOTE: Warning Labels, part numbers 215727 ¹ /38/28 ¹ /39/3/4 ¹ /4A, supplied with compliance kits. For specific placement locations refer to PIB No's. 422 & 1017.

VEHICLE VARIANTS - 2 DOOR CAB CHASSIS

DESCRIPTION	BODY STYLE	ENGINE	TRANSMISSION	TYRE DESIGNATION	RIM SIZE
79 Series Single Cab	Cab Chassis	4.5 Turbo Diesel	Manual	225/95R16 265/70R16	16x6J 16x7JJ

SUSPENSION SELECTION

DESCRIPTION	PART NUMBER
79 SERIES COMPLIANCE KIT	793950
CATEGORY 6 SIDE INDICATORS	13.1051.000 ¹

FRONT COILS

NO ACCESSORIES / BAR ONLY	2856
BAR AND WINCH	2859
FRONT SHOCK	60008 ¹
BP-51 SHOCK	BP5160009 ¹
BP-51 FIT KIT	VM80010006
STEERING DAMPER (optional)	OMESD47
CASTER KIT (if required)	OMECA77B
SWAY BAR SPACER KIT (if required)	FK19

DESCRIPTION	PART NUMBER
REAR LEAF SPRINGS	
CONSTANT 600/500KG	EL081R ¹
CONSTANT 800/700KG	EL082R ¹
EXTRA LEAF (if required)	EL14XL
REAR SHOCKS	60011 ¹
	60109 ¹
BP-51 LC79 REAR SHOCK	BP5160028
BP-51 REAR SHOCK SUITS ¹ EL082R	BP5160029 ¹
BP-51 KIT LC79 REAR	VM80010007
U BOLTS	OMEU59B
	OMEU59C
SPRING BUSH KIT	OMESB101
GREASABLE SHACKLE KIT (optional)	OMEGS10
GREASABLE SHACKLE FIXED END PIN KIT (optional)	OMEGP7
GREASABLE SHACKLE BUSH KIT (optional)	OMESB85
HEAVY DUTY REAR SWAY BAR (mandatory)	OMESTAB9
SWAY BAR FIT KITS (mandatory)	FK76
	FK77

1. When remaining stock of 13.1051.000, 215727, 215728, 215734, 60008, 60011, 60109, BP5160009, BP5160029, EL081R and EL082R is exhausted no further product will be available.

HISTORICAL REFERENCE - GVM UPGRADE - TOYOTA

(Catalogue 28.2 05/2013)

LANDCRUISER 79 SERIES - SINGLE CAB - 2 DOOR CAB CHASSIS AUSTRALIA ONLY

OE GVM	3300kg	SEATING CAPACITY: 2, 3
Upgraded GVM	3780kg	
ADR Approval Number	12446	

****Category 6 Side Indicators required.**

VEHICLE VARIANTS

DESCRIPTION	BODY STYLE	ENGINE	TRANSMISSION	TYRE DESIGNATION	RIM SIZE
79 Series	Cab Chassis	4.5 Turbo Diesel	Manual	7.5R 16 8PR 265/70R16LT	16x5.50F 16x7JJ

SUSPENSION SELECTION

DESCRIPTION	PART NUMBER
79 SERIES COMPLIANCE KIT	793700
CATEGORY 6 SIDE INDICATORS	13.1049.000 ¹

FRONT COILS	
0 TO 50KG	2859
51 TO 120KG	2853
FRONT SHOCKS	60008 ¹
STEERING DAMPER (optional)	OMESD47
CASTER KIT (if required)	OMECA77B
SWAY BAR SPACER KIT (if required)	FK19
ABS WIRE BRACKET KIT	FK65

DESCRIPTION	PART NUMBER
REAR LEAF SPRINGS	
CONSTANT 400KG	CS014R ¹ / EL014R ¹
CONSTANT 600KG	CS015R ¹ / EL015R ¹
CONSTANT 800KG	CS066R ¹ / EL066R ¹
EXTRA LEAF (if required)	D14XL / EL14XL
REAR SHOCKS	60011 ¹ 60109 ¹
U BOLT	OMEU59B
SPRING BUSH KIT	OMESB101
GREASABLE SHACKLE KIT (optional)	OMECS10
GREASABLE FIXED END KIT (optional)	OMEGP7
GREASABLE SHACKLE BUSH KIT (optional)	OMESB85
HEAVY DUTY REAR SWAY BAR (optional)	OMESTAB2 ¹
SWAY BAR FIT KIT (optional)	FK44 FK45
BRAKE PROPORTIONING BRACKET	FK51 FK58
CENTRE BOLT	UCB17 / UCB4

1. When remaining stock of 13.1049.000, 60008, 60011, 60109, CS014R, CS015R, CS066R, EL014R, EL015R, EL066R, EL080R, EL081R, EL082R and OMESTAB2 is exhausted no further product will be available.

GVM UPGRADE - TOYOTA

(Catalogue 52 April 2023)

LANDCRUISER 79 SERIES - SINGLE CAB - 2 DOOR CAB CHASSIS AUSTRALIA ONLY

OE GVM	3400kg	FOR PRE REGISTERED VEHICLES ONLY			
Upgraded GVM	3950kg	SEATING CAPACITY: 2, 3			
RVSA Approval Number	VTA-012446	*SPECIAL REQUIREMENTS* Minimum of 600kg permanently carried load at all times.			
Compliance Kit Number	793950	NOTE: Warning Labels, part numbers 215738/39/3/4 ¹ or 4A, supplied with compliance kits. For specific placement locations refer to PIB No's. 422 & 1017.			
Category 6 Side Indicators are required		P/N: *93214*			
Axle Loads	Front OE	1480kg	Front Upgraded	1540kg	
	Rear OE	2300kg	Rear Upgraded	2410kg	
VEHICLE VARIANTS - 2 DOOR CAB CHASSIS					
DESCRIPTION	BODY STYLE	ENGINE	TRANSMISSION	TYRE DESIGNATION	RIM SIZE
79 Series Single Cab	Cab Chassis	4.5 Turbo Diesel	Manual	225/95R16 265/70R16	16x6J 16x7JJ

SUSPENSION SELECTION

FRONT SELECTION	
DESCRIPTION	PART NUMBER
SPRINGS	
NO ACC or BAR ONLY	2856
BAR/ WINCH & ACC	2859
SHOCKS	
NITROCHARGER SPORT	60008
NITROCHARGER PLUS	63008
BP-51	
BP-51 SHOCK FRONT	BP5160042
BP-51 FRONT FIT KIT	VM80010006
FIT KITS & HARDWARE	
STEERING DAMPER (optional)	OMESD47
CASTER KIT (if required)	OMECA77B
SWAY BAR SPACER KIT (if required)	FK19

REAR SELECTION	
DESCRIPTION	PART NUMBER
LEAF SPRINGS	
CONSTANT 500/600kg	EL115R
CONSTANT 700/800kg	EL116R
EXTRA LEAF (if required)	EL14XL
SHOCKS	
NITROCHARGER SPORT	*60109 / 60011
NITROCHARGER PLUS	*63109 / 63011
BP-51	
BP-51 SHOCK REAR SUITS EL114R/ EL115R	BP5160028
BP-51 SHOCK REAR SUITS EL116R	BP5160052
BP-51 REAR FIT KIT	VM80010007
FIT KITS & HARDWARE	
U BOLTS	OMEU59B OMEU59C
SPRING BUSH KIT	OMESB101
GREASABLE BUSH KIT (optional)	OMESB85
GREASABLE SHACKLE KIT (optional)	OMEGB10
GREASABLE SHACKLE END PIN KIT (optional)	OMEGP7
HEAVY DUTY REAR SWAY BAR (MANDATORY)	OMESTAB9
SWAY BAR FIT KIT (MANDATORY)	FK76 FK77

NOTE: There is a choice of front and rear springs depending on the set up of the particular vehicle. Please read comments relating to fitment of components. For all information refer to the vehicle specific selection page.

GVM UPGRADE - TOYOTA

(Catalogue 52 April 2023)

LANDCRUISER 79 SERIES - SINGLE CAB - 2 DOOR CAB CHASSIS AUSTRALIA ONLY

OE GVM		3400kg	FOR PRE REGISTERED VEHICLES ONLY		
Upgraded GVM		3780kg	SEATING CAPACITY: 2, 3		
RVSA Approval Number		VTA-012446	*CAT6 INDICATORS* (REQUIRED)		P/N: *93214*
Compliance Kit Number		793700			
Axle Loads	Front OE	1480kg	Front Upgraded	1480kg	
	Rear OE	2300kg	Rear Upgraded	2300kg	
VEHICLE VARIANTS - 2 DOOR CAB CHASSIS					
DESCRIPTION	BODY STYLE	ENGINE	TRANSMISSION	TYRE DESIGNATION	RIM SIZE
79 Series	Cab Chassis	4.5 Turbo Diesel	Manual	7.5R 16 8PR	16x5.50F
				265/70R16LT	16x7JJ
				225/95R 16C	16x6J

SUSPENSION SELECTION

FRONT SELECTION	
DESCRIPTION	PART NUMBER
SPRINGS	
NO ACC or BAR ONLY	2856
BAR/ WINCH	2859
BAR/ WINCH & ACC	2853
SHOCKS	
NITROCHARGER SPORT	60008
NITROCHARGER PLUS	63008
BP-51	
BP-51 SHOCK FRONT	BP5160042
BP-51 FRONT FIT KIT	VM80010006
FIT KITS & HARDWARE	
STEERING DAMPER (optional)	OMESD47
CASTER KIT (if required)	OMECA77B
SWAY BAR SPACER KIT (if required)	FK19

REAR SELECTION	
DESCRIPTION	PART NUMBER
LEAF SPRINGS	
CONSTANT 400kg	EL114R
CONSTANT 600kg	EL115R
CONSTANT 800kg	EL116R
EXTRA LEAF (if required)	EL14XL
SHOCKS	
NITROCHARGER SPORT	*60109 / 60011
NITROCHARGER PLUS	*63109 / 63011
BP-51	
BP-51 SHOCK REAR SUITS EL114R/ EL115R	BP5160028
BP-51 SHOCK REAR SUITS EL116R	BP5160052
BP-51 REAR FIT KIT	VM80010007
FIT KITS & HARDWARE	
U BOLTS	OMEU59B
	OMEU59C
SPRING BUSH KIT	OMESB101
GREASABLE BUSH KIT (optional)	OMESB85
GREASABLE SHACKLE KIT (optional)	OMEGB10
GREASABLE SHACKLE END PIN KIT (optional)	OMEGP7
HEAVY DUTY REAR SWAY BAR (optional)	OMESTAB9
SWAY BAR FIT KIT (optional)	FK76
	FK77

NOTE: There is a choice of front and rear springs depending on the set up of the particular vehicle. Please read comments relating to fitment of components. For all information refer to the vehicle specific selection page.

HISTORICAL REFERENCE - GVM UPGRADE - TOYOTA

(Catalogue 33 01/2017)

LANDCRUISER 76 SERIES

AUSTRALIA ONLY

OE GVM	3060kg	FOR PRE REGISTERED VEHICLES ONLY
Upgraded GVM	3660kg	SEATING CAPACITY: 5
ADR Approval Number	12446	

**Category 6 Side Indicators required.

VEHICLE VARIANTS

DESCRIPTION	BODY STYLE	ENGINE	TRANSMISSION	TYRE DESIGNATION	RIM SIZE
76 Series	4 Door Wagon	4.5 Turbo Diesel	Manual	7.5R 16 8PR 265/70R16LT 225/95R 16C	16x5.50F 16x7JJ 16x6J

SUSPENSION SELECTION

DESCRIPTION	PART NUMBER
76 SERIES COMPLIANCE KIT	763600 ¹
CATEGORY 6 SIDE INDICATORS	13.1051.000 ¹

FRONT COILS

0 TO 60KG	2856
61 TO 120KG	2859
FRONT SHOCKS	60008 ¹
BP-51 FRONT SHOCK	BP5160009 ¹
BP-51 KIT FRONT LC76	VM80010006
STEERING DAMPER (optional)	OMESD47
CASTER KIT (if required)	OMECA77B
SWAY BAR SPACER KIT (if required)	FK19
ABS WIRE BRACKET KIT (if required)	FK88 ¹

DESCRIPTION	PART NUMBER
REAR LEAF SPRINGS	
CONSTANT 400KG	CS058R
CONSTANT 800KG	CS070R
EXTRA LEAF (if required)	D35XL
REAR SHOCKS	60011 ¹
	60111 ¹
BP-51 REAR SHOCK	BP5160028
BP-51 SHOCK REAR LONG 682	BP5160029 ¹
BP-51 KIT REAR LC76	VM80010007
U BOLT	OMEU59D
SPRING BUSH KIT	OMESB86
GREASABLE SHACKLE KIT (optional)	OMEGB85
GREASABLE FIXED END KIT (optional)	OMEGP7
GREASABLE SHACKLE BUSH KIT (optional)	OMESB85
HEAVY DUTY REAR SWAY BAR (optional)	OMESTAB9
SWAY BAR FIT KIT (optional)	FK76
	FK77
CENTRE BOLT	UCB17

1. When remaining stock of 13.1051.000, 60008, 60011, 60111, 763600, BP5160009, BP5160029 and FK88 is exhausted no further product will be available.

HISTORICAL REFERENCE - GVM UPGRADE - TOYOTA

(Catalogue 29.1 04/2015)

LANDCRUISER 76 SERIES

AUSTRALIA ONLY

OE GVM	3000kg	SEATING CAPACITY: 5
Upgraded GVM	3600kg	
ADR Approval Number	12446	

**Category 6 Side Indicators required.

VEHICLE VARIANTS

DESCRIPTION	BODY STYLE	ENGINE	TRANSMISSION	TYRE DESIGNATION	RIM SIZE
76 Series	4 Door Wagon	4.5 Turbo Diesel	Manual	7.5R 16 8PR 265/70R16LT	16x5.50F 16x7JJ

SUSPENSION SELECTION

DESCRIPTION	PART NUMBER
76 SERIES COMPLIANCE KIT	763600 ¹
CATEGORY 6 SIDE INDICATORS	13.1049.000 ¹

FRONT COILS	
0 TO 60KG	2856
61 TO 120KG	2859
FRONT SHOCKS	60008 ¹
STEERING DAMPER (optional)	OMESD47
CASTER KIT (if required)	OMECA77B
SWAY BAR SPACER KIT (if required)	FK19
ABS WIRE BRACKET KIT	FK65

DESCRIPTION	PART NUMBER
REAR LEAF SPRINGS	
CONSTANT 400KG	CS058R
CONSTANT 800KG	CS070R
EXTRA LEAF (if required)	D35XL
REAR SHOCKS	60011 ¹ 60111 ¹
U BOLT	OMEU59D
SPRING BUSH KIT	OMESB86
GREASABLE SHACKLE KIT (optional)	OMEGB19
GREASABLE FIXED END KIT (optional)	OMEGP7
GREASABLE SHACKLE BUSH KIT (optional)	OMESB85
HEAVY DUTY REAR SWAY BAR (optional)	OMESTAB2 ¹
SWAY BAR FIT KIT (optional)	FK44 FK45
BRAKE PROPORTIONING BRACKET	FK51 FK58
CENTRE BOLT	UCB17

1. When remaining stock of 13.1049.000, 60008, 60011, 60111, 763600 and OMESTAB2 is exhausted no further product will be available.

GVM UPGRADE - TOYOTA

(Catalogue 52 April 2023)

LANDCRUISER 76 SERIES

AUSTRALIA ONLY

OE GVM		3060kg	FOR PRE REGISTERED VEHICLES ONLY		
Upgraded GVM		3660kg	SEATING CAPACITY: 5		
RVSA Approval Number		VTA-012446	*CAT6 INDICATORS* (REQUIRED)		P/N: *93214*
Compliance Kit Number		763660			
Axle Loads	Front OE	1480kg	Front Upgraded	1480kg	
	Rear OE	2300kg	Rear Upgraded	2300kg	
VEHICLE VARIANTS					
DESCRIPTION	BODY STYLE	ENGINE	TRANSMISSION	TYRE DESIGNATION	RIM SIZE
76 Series	4 Door Wagon	4.5 Turbo Diesel	Manual	7.5R 16 8PR	16x5.50F
				265/70R16LT	16x7JJ
				225/95R 16C	16x6J

SUSPENSION SELECTION

FRONT SELECTION	
DESCRIPTION	PART NUMBER
SPRINGS	
NO ACC or BAR ONLY	2856
BAR/ WINCH & ACC	2859
SHOCKS	
NITROCHARGER SPORT	60008
NITROCHARGER PLUS	63008
BP-51	
BP-51 SHOCK FRONT	BP5160042
BP-51 FRONT FIT KIT	VM80010006
FIT KITS & HARDWARE	
STEERING DAMPER (optional)	OMESD47
CASTER KIT (if required)	OMECA77B
SWAY BAR SPACER KIT (if required)	FK19

REAR SELECTION	
DESCRIPTION	PART NUMBER
LEAF SPRINGS	
CONSTANT 400kg	CS058R
CONSTANT 800kg	CS070R
EXTRA LEAF (if required) does not suit CS070R	D35XL
SHOCKS	
NITROCHARGER SPORT	*60011 / 60111
NITROCHARGER PLUS	*63011 / 63111
BP-51	
BP-51 SHOCK REAR SUITS CS058R	BP5160028
BP-51 SHOCK REAR SUITS CS070R	BP5160052
BP-51 REAR FIT KIT	VM80010007
FIT KITS & HARDWARE	
U BOLTS	OMEU59D
	OMEU59B
SPRING BUSH KIT	OMESB86
GREASABLE BUSH KIT (optional)	OMESB85
GREASABLE SHACKLE KIT (optional)	OMEGS19
GREASABLE SHACKLE END PIN KIT (optional)	OMEGP7
CENTRE BOLT (if required)	UCB17

NOTE: There is a choice of front and rear springs depending on the set up of the particular vehicle. Please read comments relating to fitment of components. For all information refer to the vehicle specific selection page.

HISTORICAL REFERENCE - GVM UPGRADE - TOYOTA

(Catalogue 28.2 05/2013)

LANDCRUISER 78 SERIES

AUSTRALIA ONLY

OE GVM	3300kg	*SEATING CAPACITY: 3, 5
		*NOTE: 11 seater not allowed.
Upgraded GVM	3780kg	
ADR Approval Number	12446	
**Category 6 Side Indicators required.		

VEHICLE VARIANTS

DESCRIPTION	BODY STYLE	ENGINE	TRANSMISSION	TYRE DESIGNATION	RIM SIZE
78 Series	2 Door Wagon	4.5 Turbo Diesel	Manual	7.5R 16 8PR	16x5.50F

SUSPENSION SELECTION

DESCRIPTION	PART NUMBER
78 SERIES COMPLIANCE KIT	783700
CATEGORY 6 SIDE INDICATORS	13.1049.000 ¹

FRONT COILS	
0 TO 50KG	2859
51 TO 120KG	2853
FRONT SHOCKS	60008 ¹
STEERING DAMPER (optional)	OMESD47
CASTER KIT (if required)	OMECA77B
SWAY BAR SPACER KIT (if required)	FK19
ABS WIRE BRACKET KIT	FK65

DESCRIPTION	PART NUMBER
REAR LEAF SPRINGS	
CONSTANT 400KG	CS014R ¹ / EL014R ¹
CONSTANT 600KG	CS015R ¹ / EL015R ¹
CONSTANT 800KG	CS066R ¹ / EL066R ¹
EXTRA LEAF (if required)	D14XL / EL14XL
REAR SHOCKS	60011 ¹ 60109 ¹
U BOLT	OMEU59B
SPRING BUSH KIT	OMESB86
SWAY BAR BRACKET KIT	FK34
GREASABLE SHACKLE KIT (optional)	OMEGS19
GREASABLE FIXED END KIT (optional)	OMEGP7
GREASABLE SHACKLE BUSH KIT (optional)	OMESB85
HEAVY DUTY REAR SWAY BAR (optional)	OMESTAB2 ¹
SWAY BAR FIT KIT (optional)	FK44 FK45
BRAKE PROPORTIONING BRACKET	FK51 FK58
CENTRE BOLT	UCB17 / UCB4

1. When remaining stock of 13.1049.000, 60008, 60011, 60109, CS014R, CS015R, CS066R, EL014R, EL015R, EL066R, EL080R, EL081R, EL082R and OMESTAB2 is exhausted no further product will be available.

GVM UPGRADE - TOYOTA

(Catalogue 52 April 2023)

LANDCRUISER 78 SERIES

AUSTRALIA ONLY

OE GVM		3300kg	FOR PRE REGISTERED VEHICLES ONLY		
Upgraded GVM		3780kg	SEATING CAPACITY: 2,5 (NOT 11 SEATER)		
RVSA Approval Number		VTA-012446	*CAT6 INDICATORS* (REQUIRED)		P/N: *93214*
Compliance Kit Number		783700			
Axle Loads	Front OE	1480kg	Front Upgraded	1480kg	
	Rear OE	2300kg	Rear Upgraded	2300kg	
VEHICLE VARIANTS					
DESCRIPTION	BODY STYLE	ENGINE	TRANSMISSION	TYRE DESIGNATION	RIM SIZE
78 Series	2 Door Wagon	4.5 Turbo Diesel	Manual	7.5R 16 8PR 225/95R 16C	16x5.50F 16x6J

SUSPENSION SELECTION

FRONT SELECTION	
DESCRIPTION	PART NUMBER
SPRINGS	
NO ACC or BAR ONLY	2856
BAR/ WINCH	2859
BAR/ WINCH & ACC	2853
SHOCKS	
NITROCHARGER SPORT	60008
NITROCHARGER PLUS	63008
BP-51	
BP-51 SHOCK FRONT	BP5160042
BP-51 FRONT FIT KIT	VM80010006
FIT KITS & HARDWARE	
STEERING DAMPER (optional)	OMESD47
CASTER KIT (if required)	OMECA77B
SWAY BAR SPACER KIT (if required)	FK19

REAR SELECTION	
DESCRIPTION	PART NUMBER
LEAF SPRINGS	
CONSTANT 400kg	EL114R
CONSTANT 600kg	EL115R
CONSTANT 800kg	EL116R
EXTRA LEAF (if required)	EL14XL
SHOCKS	
NITROCHARGER SPORT	*60109 / 60011
NITROCHARGER PLUS	*63109 / 63011
BP-51	
BP-51 SHOCK REAR SUITS EL114R/ EL115R	BP5160028
BP-51 SHOCK REAR SUITS EL116R	BP5160052
BP-51 REAR FIT KIT	VM80010007
FIT KITS & HARDWARE	
U BOLTS	OMEU59B OMEU59C
SPRING BUSH KIT	OMESB86
GREASABLE BUSH KIT (optional)	OMESB85
GREASABLE SHACKLE KIT (optional)	OMEGS19
GREASABLE SHACKLE END PIN KIT (optional)	OMEGP7
HEAVY DUTY REAR SWAY BAR (MANDATORY)	OMESTAB9
SWAY BAR FIT KIT (MANDATORY)	FK76 FK77
SWAY BAR BRACKET KIT	FK34

NOTE: There is a choice of front and rear springs depending on the set up of the particular vehicle. Please read comments relating to fitment of components. For all information refer to the vehicle specific selection page.

ARMoured APPLICATIONS - 4.5T GVM

NISSAN PATROL Y62 - 4.5T GVM

INTERNATIONAL

FRONT SELECTION

ALL MODELS		Part Number	Qty	Notes
FRONT ARMoured	Spring	2978	1	
	Strut - N/Sport	90025	2	1

FIT KITS & HARDWARE

Loc	Description	Part Number	Qty	Note
F	FRONT SWAY BAR	OMESTAB7	1	

REAR SELECTION

ALL MODELS		Part Number	Qty	Note
REAR ARMoured	Spring	3069	1	2
	Shock - N/Sport	60120	2	1

FIT KITS & HARDWARE

Loc	Description	Part Number	Qty	Note
R	REAR SWAY BAR	OMESTAB8	1	

NOTES ON ARMoured SUSPENSION SELECTION & FITMENT:

The above suspension systems have been designed and tested to suit a vehicle weight range of 3.9 - 4.5T, for vehicle weights outside this range please contact ARB.

Components have been designed to operate as a complete replacement system, it is not recommended to fit these products individually.

All fitting kits, components and replacement bushes are included with the above products where

Comments

1 Y62 Armoured Suspension System was designed for and tested on non-HBMC equipped vehicles.

2 When remaining stock of 3069 is exhausted no further product will be available.

CHRYSLER

JEEP GRAND CHEROKEE WK2 2016 ON

GLOBAL

FRONT SELECTION

V6 PETROL ENGINE			Part Number	Qty	Notes
Estimated Lift 40mm / 1.8"	No Bar (0lbs - 110lbs)	Spring	3118	1	1
		Strut - N/Sport L	90035		
		Strut - N/Sport R	90036		
	Bar Only (110lbs - 220lbs)	Spring	3119	1	1
		Strut - N/Sport L	90035		
		Strut - N/Sport R	90036		
	Bar/ Winch/ Acc (220lbs - 330lbs)	Spring	3120	1	1
		Strut - N/Sport L	90035		
		Strut - N/Sport R	90036		
	Nitro + (0lbs - 330lbs)	Spring	4029	1	1,3
		Strut - N/Plus L	93035		
		Strut - N/Plus R	93036		

V8 PETROL & 3.2L DIESEL ENGINE			Part Number	Qty	Note
Estimated Lift 40mm / 1.8"	No Bar (0lbs - 110lbs)	Spring	3119	1	1
		Strut - N/Sport L	90035		
		Strut - N/Sport R	90036		
	Bar Only (110lbs - 220lbs)	Spring	3120	1	1
		Strut - N/Sport L	90035		
		Strut - N/Sport R	90036		
	Bar/ Winch/ Acc (220lbs - 330lbs)	Spring	3121	1	1
		Strut - N/Sport L	90035		
		Strut - N/Sport R	90036		
	Nitro + (0lbs - 330lbs)	Spring	4030	1	1,3
		Strut - N/Plus L	93035		
		Strut - N/Plus R	93036		

FIT KITS & HARDWARE

Loc	Description	Part Number	Qty	Note
F	TRIM PACKER	FK79	EA	

Comments

1 No top mounting bushes and dirt shield supplied, re-use OE bushes and dirt shield. Original struts and OME coils cannot be used together.

2 Tow Pack option uses Nivomat (self-levelling) shock absorber and requires a specific design. **Please note:** when replacing Nivomat shocks, you **must** fit the OME spring.

To identify whether a vehicle has the standard fitment rear shock or Nivomat shock, the outer body diameter will need to be measured.

Standard: 51mm (2")
Nivomat: 63mm (2.5")

3 Does not suit OE Coil

Fitting Time: Due to the complexity of installation allow 4 hours for complete install.

REAR SELECTION

ALL MODELS (EXCL TOW PACK)			Part Number	Qty	Notes
Est Lift 40mm	Medium Load	Spring	3074	1	
		Shock - N/Sport	60124	2	1
		Shock - N/Plus	63124		
	Constant 200kg	Spring	3060	1	
		Shock - N/Sport	60125	2	1
		Shock - N/Plus	63125		

Comments

1 No top mounting bushes and dirt shield supplied, re-use OE bushes and dirt shield. Original struts and OME coils cannot be used together.

2 Tow Pack option uses Nivomat (self-levelling) shock absorber and requires a specific design.

Please note: when replacing Nivomat shocks, you must fit the OME spring.

REAR SELECTION 2018 On

TOW PACK MODELS			Part Number	Qty	Notes
Est Lift 40mm	Medium Load	Spring	3074	1	2
		Shock - N/Sport	60152	2	1,2
		Shock - N/Plus	63152		1
	Constant 200kg	Spring	3060	1	2
		Shock - N/Sport	60153	2	1,2

To identify whether a vehicle has the standard fitment rear shock or Nivomat shock, the outer body diameter will need to be measured.

Standard: 51mm

Nivomat: 63mm

3 Does not suit OE Coil

REAR SELECTION 2016 TO 2017

TOW PACK MODELS			Part Number	Qty	Notes
Est Lift 40mm	Medium Load	Spring	3074	1	2
		Shock - N/Sport	60126	2	1,2
		Shock - N/Plus	63126		1
	Constant 200kg	Spring	3060	1	2
		Shock - N/Sport	60127	2	1,2

Fitting Time: Due to the complexity of installation allow 4 hours for complete install.

FRONT SELECTION

V6 PETROL ENGINE			Part Number	Qty	Notes
Estimated Lift 40mm	No Bar	Spring	3118	1	
		Strut - N/Sport	90026	2	1
	Bar Only	Spring	3119	1	
		Strut - N/Sport	90026	2	1
Bar/ Winch/ Accessories	Spring	3120	1		
	Strut - N/Sport	90026	2	1	
Nitro +	Spring	4029	1		
	Strut - N/Plus	93026	2	1,3	

V8 & 3.2L DIESEL ENGINE			Part Number	Qty	Note
Est Lift 40mm	No Bar	Spring	3119	1	
		Strut - N/Sport	90026	2	1
	Bar Only	Spring	3120	1	
		Strut - N/Sport	90026	2	1
Bar/ Winch/ Accessories	Spring	3121	1		
	Strut - N/Sport	90026	2	1	
Nitro +	Spring	4030	1		
	Strut - N/Plus	93026	2	1,3	

FIT KITS & HARDWARE

Loc	Description	Part Number	Qty	Note
F	TRIM PACKER	FK79	EA	

REAR SELECTION

ALL MODELS (EXCL TOW PACK)			Part Number	Qty	Notes
Est Lift 40mm	Medium Load	Spring	3074	1	
		Shock - N/Sport	60124	2	1
		Shock - N/Plus	63124		
	Constant 200kg	Spring	3060	1	
Shock - N/Sport		60125	2	1	
Shock - N/Plus		63125			

TOW PACK (75mm pin)			Part Number	Qty	Notes
Est Lift 40mm	Medium Load	Spring	3074	1	2
		Shock - N/Sport	60126	2	1,2
		Shock - N/Plus	63126		
	Constant 200kg	Spring	3060	1	2
Shock - N/Sport		60127	2	1,2	

Comments

1 No top mounting bushes and dirt shield supplied, re-use OE bushes and dirt shield. Original struts and OME coils cannot be used together.

2 Tow Pack option uses Nivomat (self-levelling) shock absorber and requires a specific design. **Please note:** when replacing Nivomat shocks, you **must** fit the OME spring.

To identify whether a vehicle has the standard fitment rear shock or Nivomat shock, the outer body diameter will need to be measured.

Standard: 51mm

Nivomat: 63mm

3 Does not suit OE Coil

Fitting Time: Due to the complexity of installation allow 4 hours for complete install.

CHRYSLER

JEEP GRAND CHEROKEE WH / WK 2005 TO 2010

GLOBAL

FRONT SELECTION

V8 PETROL & DIESEL ENGINES			Part Number	Qty	Notes
Est Lift 50mm	No Bar	Spring	2990	1	
		Strut - N/Sport	*N219S / N188S	2	1
	Bar Only	Spring	2991	1	
		Strut - N/Sport	*N219S / N188S	2	1
	Bar/ Winch/ Accessories	Spring	2991	1	
		Strut - N/Sport	*N219S / N188S	2	1

Comments

1 No top mounting bushes supplied, re-use OE bushes.

REAR SELECTION

ALL MODELS			Part Number	Qty	Note
Est Lift 55mm	Medium Load	Spring	2992	1	
		Shock - N/Sport	*N220 / N190	2	1
	Heavy Load	Spring	2993	1	
		Shock - N/Sport	*N220 / N190	2	1

CHRYSLER

JEEP GRAND CHEROKEE WJ & WG 1999 TO 2004

GLOBAL

FRONT SELECTION

V6 & V8 PETROL ENGINES			Part Number	Qty	Notes
Est Lift 40mm	No Bar	Spring	2935	1	
		Shock - N/Sport	60087	2	
	Bar Only	Spring	2936	1	2
		Shock - N/Sport	60087	2	
	Bar/ Winch/ Accessories	Spring	2936	1	
		Strut - N/Sport	60087	2	

Comments

- 1 OMESTAB1 is a lighter rate OME replacement stabiliser bar which is a recommended fitment so maximum ride quality improvement can be obtained. (OMESTAB1 does not suit 2.7 Diesel Models).
- 2 Add 1 only OMEWJPF10 Trim Packer to increase ride height for vehicles with bull bar and winch.
- 3 When remaining stock of N117 is exhausted no further product will be available.

FRONT SELECTION

DIESEL ENGINES			Part Number	Qty	Notes
Est Lift 40mm	No Bar	Spring	2936	1	2
		Shock - N/Sport	60087	2	
	Bar Only	Spring	2936	1	2
		Shock - N/Sport	60087	2	
	Bar/ Winch/ Accessories	Spring	2936	1	
		Strut - N/Sport	60087	2	

FIT KITS & HARDWARE

Loc	Description	Part Number	Qty	Note
F	STABILISER BAR	OMESTAB1	1	1
F	TRIM PACKER	OMEWJPF10	EA	2

REAR SELECTION

ALL MODELS			Part Number	Qty	Note
Est Lift 40mm	Medium Load	Spring	2944	1	
		Shock - N/Sport	60088	2	3
	Heavy Load	Spring	2945	1	
		Shock - N/Sport	60088	2	3

FIT KITS & HARDWARE

Loc	Description	Part Number	Qty	Note
R	TRIM PACKER	OMEWTJPR10	EA	

FRONT SELECTION

6 CYLINDER ENGINES			Part Number	Qty	Notes
Est Lift 20-25mm	No Bar	Spring	2931	1	
		Shock - N/Sport	60092	2	2
	Bar Only	Spring	2930	1	
		Shock - N/Sport	60092	2	2
	Bar/ Winch/ Accessories	Spring	2930	1	
		Shock - N/Sport	60092	2	2

Comments

- 1 OMESD40 will only fit left hand drive models.
- 2 When remaining stock of N39 is exhausted no further product will be available.

FRONT SELECTION

V8 ENGINES			Part Number	Qty	Notes
20-25mm	No Bar & Bar Only	Spring	2934	1	
		Shock - N/Sport	60092	2	2
	Bar/ Winch/ Accessories	Spring	2934	1	
		Shock - N/Sport	60092	2	2

FIT KITS & HARDWARE

Loc	Description	Part Number	Qty	Note
F	STEERING DAMPER	OMESD40	1	1
F	COIL PACKER	OMEJGF10	EA	

REAR SELECTION

ALL MODELS			Part Number	Qty	Note
20-25mm	Medium Load	Spring	2940	1	
		Shock - N/Sport	60093	2	
	Constant 100kg	Spring	2943	1	
		Shock - N/Sport	60093	2	

FIT KITS & HARDWARE

Loc	Description	Part Number	Qty	Note
R	COIL PACKER	OMEJGR10	EA	

CHRYSLER

JEEP COMMANDER XK 2006 TO 2010

GLOBAL

FRONT SELECTION

V8 PETROL & DIESEL ENGINES			Part Number	Qty	Notes
Est Lift 50mm	No Bar	Spring	2990	1	
		Strut - N/Charger	*N219S / N188S	2	1
	Bar Only	Spring	2991	1	
		Strut - N/Charger	*N219S / N188S	2	1
	Bar/ Winch/ Accessories	Spring	2991	1	
		Strut - N/Sport	*N219S / N188S	2	

Comments

* Heavier valved shock

1 No top mounting bushes supplied, re-use OE bushes.

REAR SELECTION

ALL MODELS			Part Number	Qty	Note
Est Lift 55mm	Light Load	Spring	2992	1	
		Shock - N/Charger	*N220 / N190	2	1
	Medium Load	Spring	2993	1	
		Shock - N/Charger	*N220 / N190	2	1

CHRYSLER

JEEP CHEROKEE XJ WAGON 1984 TO 2001

GLOBAL

FRONT SELECTION

DIESEL ENGINE			Part Number	Qty	Notes
Est Lift 35-45mm	No Bar	Spring	2930	1	
		Shock - N/Sport	60052	2	
	Bar Only	Spring	2930	1	
		Shock - N/Sport	60052	2	
	Bar/ Winch/ Accessories	Spring	2930	1	
		Shock - N/Sport	60052	2	

FIT KITS & HARDWARE

Loc	Description	Part Number	Qty	Note
F	STEERING DAMPER	OMESD40	1	5
F	TRIM PACKER	OMEJGF10	EA	3

REAR SELECTION

ALL MODELS			Part Number	Qty	Note
50mm	Light Load	Leaf Spring	CS034RA / B	1+1	2
		Shock - N/Sport	60053	2	
	Medium Load	Leaf Spring	CS035RA / B	1+1	2
		Shock - N/Sport	60053	2	
75mm	Light Load	Leaf Spring	CS033RA / B	1+1	2
		Strut - N/Sport	60053	2	
U-BOLTS			OMEU60	4	1
			OMEU57		
EXTRA LEAF			D22XL	2	

FIT KITS & HARDWARE

Loc	Description	Part Number	Qty	Note
R	GEARBOX PACKER KIT	XJGK01	EA	4
R	CENTRE BOLT		2	6
R	SPRING BUSH KIT	OE		

WARNING:

XJ Models fitted with a 3 bolt engine exhaust pipe flange, can experience a clearance problem with the tail shaft when suspension is under full deflection. Fitment of an adjustable front panhard rod or a change to a smaller 2 bolt flange will provide the required clearance.

Comments

1 OMEU60 suits Dana 35 type differential - Australian Models. OMEU57 suits AMC 8 1/4 type differential.

2 Trimming requirement greater than 10mm use A/A fitment. Where near level rake is desired B/B fitment should be used. D22XL extra leaf can be fitted to CS034RA/B and CS035RA/B for heavier constant load carrying ability.

NB: Models fitted with OE Up Country Suspension pack will only be raised by 20mm.

3 OMEJGF10 front coil packer can be used for trimming or extra lift purposes, using no more than 1 packer.

4 Fit XJGK01 Gearbox Packer Kit should a driveline vibration occur.

5 OMESD40 will only fit left hand drive models.

6 Refer to Leaf Spring Service Parts section for Centre Bolt selection.

FRONT SELECTION

V6 3.7L PETROL ENGINE			Part Number	Qty	Notes
Est Lift 30-40mm	No Bar	Spring	2926	1	1
		Strut - N/Sport	90009	2	2
	Bar Only	Spring	2927	1	1
		Strut - N/Sport	90009	2	2
	Bar/ Winch/ Accessories	Spring	2927	1	1
		Strut - N/Sport	90009	2	2
	Nitro +	Spring	4059	1	1
		Strut - N/Plus	93009	2	2,3

Comments

- 1 Due to varying OE ride heights, some KK Models may only achieve a 20mm lift.
- 2 No top mounting bushes supplied, re-use OE bushes.
- 3 Does not suit OE Coil

FRONT SELECTION

2.8 CRD DIESEL ENGINE			Part Number	Qty	Notes
Est Lift 30-40mm	No Bar	Spring	2927	1	1
		Strut - N/Sport	90009	2	2
	Bar Only	Spring	2790	1	1
		Strut - N/Sport	90009	2	2
	Bar/ Winch/ Accessories	Spring	2790	1	1
		Strut - N/Sport	90009	2	2
	Nitro +	Spring	4060	1	1
		Strut - N/Plus	93009	2	2,3

REAR SELECTION

ALL MODELS			Part Number	Qty	Note
40mm	Medium Load	Spring	2730	1	1
		Shock - N/Plus	63069	2	2,3
	Constant 100kg	Spring	2731	1	1
		Shock - N/Plus	63069	2	2,3

CHRYSLER

JEEP CHEROKEE / LIBERTY KJ 2002 TO 2007

GLOBAL

FRONT SELECTION

PETROL ENGINE			Part Number	Qty	Notes
Estimated Lift 30-40mm	No Bar	Spring	2925	1	1
		Strut - N/Charger	NS130		2,3
		Strut - N/Sport	90009	2	2
	Bar Only	Spring	2926	1	1
		Strut - N/Sport	90009	2	2
	Bar/ Winch/ Accessories	Spring	2927	1	1
		Strut - N/Sport	90009	2	2
	Nitro +	Spring	2925	1	1
		Strut - N/Plus	93009	2	2,4

Comments

- 1 Due to varying OE ride heights, some KJ models may only achieve a 20mm lift.
- 2 No top mounting bushes supplied, re-use OE bushes.
- 3 When remaining stock of NS130 / NS131 / N132 is exhausted no further product will be available.
- 4 Does not suit OE Coil

FRONT SELECTION

DIESEL ENGINE			Part Number	Qty	Notes
Estimated Lift 30-40mm	No Bar	Spring	2926	1	1
		Strut - N/Charger	NS130		2,3
		Strut - N/Sport	90009	2	2
	Bar Only	Spring	2927	1	1
		Strut - N/Sport	90009	2	2
	Bar/ Winch/ Accessories	Spring	2790	1	1
		Strut - N/Sport	90009	2	2
	Nitro +	Spring	2926	1	1
		Strut - N/Plus	93009		2,4

REAR SELECTION

ALL MODELS			Part Number	Qty	Note
Est Lift 40mm	Light Load	Spring	2947	1	
		Shock - N/Charger	N132		3
		Shock - N/Plus	63069	2	
	Medium Load	Spring	2948	1	
		Shock - N/Charger	N132		3
		Shock - N/Plus	63069	2	

CHRYSLER

JEEP WRANGLER TJ & TJ UNLIMITED 1997 TO 2006

GLOBAL

FRONT SELECTION

6 CYLINDER ENGINE			Part Number	Qty	Notes
Estimated Lift 50mm	No Bar	Spring	2932	1	1
		Shock - N/Sport	*60047 / 60046	2	6, 7
		Shock - N/Plus	*63047 / 63046		
	Bar Only	Spring	2933	1	1
		Shock - N/Sport	*60047 / 60046	2	6, 7
		Shock - N/Plus	*63047 / 63046		
	Bar/ Winch/ Accessories	Spring	2933	1	1
		Shock - N/Sport	*60047 / 60046	2	6, 7
		Shock - N/Plus	*63047 / 63046		

Comments

* Heavier valved option

1 For ride height and trim adjustment use - Front: OMEJGF10 / Rear: OMEWTJPR10

2 FKWTJ01 Panhard Rod Extension Bracket Kit fitment to right hand drive or FKWTJ02 to left hand drive models is **mandatory** to ensure correct rear axle tracking.

3 A Gear Box Packer Kit is **mandatory** fitment to prevent driveline vibration.

JWGK01 suits all models to 2003.

JWGK02 suits manual models from 2003.

JWGK03 suits auto models from 2003.

4 FK16: **Mandatory** fitment 20mm Bump Stop Spacer Kit to prevent coil springs becoming solid on full compression.

5 OMESD40 only suitable for fitment to left hand drive models.

6 To achieve optimal vehicle balance front to rear when rear spring 2949 is fitted, it is recommended that only 60047 is fitted to the front.

7 When existing stock of N66, N66C, 60046, 60047 and 60049 is exhausted no further product will be available.

FIT KITS & HARDWARE

Loc	Description	Part Number	Qty	Note
F	TRIM PACKER	OMEJGF10	EA	
F	STEERING DAMPER	OMESD40	1	5

REAR SELECTION

2 DOOR			Part Number	Qty	Notes
Estimated Lift 50mm	Medium Load	Spring	2941	1	1
		Shock - N/Sport	60048	2	
		Shock - N/Plus	63048		
	Constant 100kg	Spring	2942	1	1
		Shock - N/Sport	60048	2	
		Shock - N/Plus	63048		
	Constant 200kg	Spring	2949	1	6
		Shock - N/Sport	60049	2	7
		Shock - N/Plus	63049		

REAR SELECTION

UNLIMITED			Part Number	Qty	Notes
Est Lift 50mm	Medium Load	Spring	2949	1	6
		Shock - N/Sport	60049	2	7
		Shock - N/Plus	63049		
	Constant 200kg	Spring	2996	1	
		Shock - N/Sport	60049	2	7
		Shock - N/Plus	63049		

FIT KITS & HARDWARE

Loc	Description	Part Number	Qty	Notes
R	TRIM PACKER	OMEWTJPR10	EA	
R	PANHARD ROD BRK KIT	FKWTJ01	1	2
		FKWTJ02		
R	GEARBOX PACKER KIT	JWGK01	1	3
		JWGK02		
		JWGK03		
R	BUMPER STOP SPACER KIT	FK16	1	4

FRONT SELECTION

PETROL ENGINE			Part Number	Qty	Notes	
Estimated Lift 40-50mm	No Bar	Leaf Spring	CS014F	2	4	
		Shock - N/Sport	60098			
	Bar Only	Leaf Spring	CS014F	2	4	
		Shock - N/Sport	60098			
	Bar/ Winch/ Accessories	Leaf Spring	CS014F	2	4	
		Shock - N/Sport	60098			
	SPRING BUSH KIT			OMESB57	2	2
				OMESB87		
	GREASABLE PIN KIT			OMEGP9	1	2
	GREASABLE SHACKLE KIT			OMEGS11		
EXTRA LEAF			D23XL	2		

Comments

- 1 JWGK01 fitment reduces driveline vibration
- 2 Use OMESB57 with original shackles. OMESB87 with OMEGS11 greasable shackles.
- 3 OMESD40 will only fit left hand drive models.
- 4 Please re-use original U-Bolts.

CS037R - suits Soft Top, light load.
CS036R - suits Hard Top medium load to 200kgs.
- 5 Refer to **Leaf Spring Service Parts** section for Centre Bolt selection.

FIT KITS & HARDWARE

Loc	Description	Part Number	Qty	Note
F	GEARBOX PACKER KIT	JWGK01	1	1
F	STEERING DAMPER	OMESD40		3
F/R	CENTRE BOLT		2	5

REAR SELECTION

ALL MODELS			Part Number	Qty	Note	
Estimated Lift 50mm	Light Load	Leaf Spring	CS037R	2	4	
		Shock - N/Sport	60099			
	Medium Load	Leaf Spring	CS036R	2	4	
		Shock - N/Sport	60099			
	SPRING BUSH KIT			OMESB57	2	2
				OMESB87		
	GREASABLE PIN KIT			OMEGP9	1	2
	GREASABLE SHACKLE KIT			OMEGS11		
	EXTRA LEAF			D24XL	2	

FIT KITS & HARDWARE

Loc	Description	Part Number	Qty	Note
F/R	CENTRE BOLT		2	5

FRONT SELECTION

3.6L PETROL ENGINE			Part Number	Qty	Notes
EstLift 50mm	No Bar	Spring	3160	1	1
		Shock - N/Plus	63160	2	
	Bar Only	Spring	3160	1	1
		Shock - N/Plus	*63162 / 63160	2	
	Bar/ Winch/ Accessories	Spring	3153	1	
		Shock - N/Plus	63162	2	

FIT KITS & HARDWARE

Loc	Description	Part Number	Qty	Note
F	LOWER CONTROL ARM - ADJUST	LCAJLFR	1	2
F	TRIM PACKER	OMEJKPF10	EA	4

REAR SELECTION

3.6L PETROL ENGINE			Part Number	Qty	Note
Est 50mm	Medium Load	Spring	3161	1	
		Shock - N/Plus	63161	2	
	Constant 150kg	Spring	3157	1	
		Shock - N/Plus	*63162 / 63161	2	

FIT KITS & HARDWARE

Loc	Description	Part Number	Qty	Note
F	BUMP STOP KIT	FK100	1	3
R	TRIM PACKER	OMEJLPR10	EA	4

Comments

- 1 Use OMEJKPF10 to achieve lift with bar only. Do not fit more than one (1) packer per coil spring.
- 2 Fitment of LCAJLFR Front Lower Control Arm is **recommended** to restore wheel alignment castor settings. LCAJLFR should be set at 5mm longer than OE prior to wheel alignment.
- 3 Fitment of FK100 is **mandatory**. FK100 Bump Stop Kit prevents springs from going solid.
- 4 For trim adjustment use - Front: OMEJKPF10 Rear: OMEJLPR10. Do not fit more than one (1) packer per coil spring.

OFFROAD USE ONLY - CHRYSLER

JEEP WRANGLER JL SWB 2018 ON

GLOBAL

FRONT SELECTION

Estimated Lift: Sport - 3.5" (90mm) / Rubicon - 2.5" (65mm)

PETROL ENGINE		Part Number	Qty	Notes
No Bar	Spring	3133	1	1
	Shock - N/Plus	63150	2	3
Bar Only	Spring	3134	1	1
	Shock - N/Plus	63150	2	3
Bar/ Winch/ Accessories	Spring	3134	1	1
	Shock - N/Plus	63150	2	3
BP-51	Shock	BP5160033	2	
	Fit Kit	VM80010038	1	

Lift increase is approximate and will depend on

Modifications for off road use only.

The products listed in this selection chart are deemed by Old Man Emu to be suitable for off road use and their legality for public road use should be certified by the relevant Registration Authority. An Off Road Use Only Disclaimer must be signed by the customer.

Modifications and replacement of other associated components will be required.

Comments

1 For trim adjustment use - Front: OMEJKPF10 Rear: OMEJLPR10. Do not fit more than one (1) packer per coil spring.

2 Fitment of LCAJLFR Front Lower Control Arm is **required** to restore wheel alignment castor settings.

3 Fitment of FK92 is **mandatory**. FK92 Bump Stop Kit prevents shock absorbers from going solid for fitment of larger tyres. Fitment of FK105 is **mandatory**. FK105 allows the shocks to extend freely without limit or contact.

4 Fitment **not mandatory**, however fitment will allow for fine tuning vehicle geometry.

5 Not suitable for models with headlight adjustment, no provision for adjustment link.

FIT KITS & HARDWARE

Loc	Description	Part Number	Qty	Note
F	LOWER CONTROL ARM - ADJUST	LCAJLFR		2
F	BUMP STOP KIT	FK92		3
F	SWAY BAR LINK KIT	FK105	1	
F	UPPER CONTROL ARM - ADJUST	UCAJLFR		4
F	PANHARD ROD ADJUSTABLE (LHD)	PANRJL001		
F	TRIM PACKER	OMEJKPF10	EA	1

REAR SELECTION

Estimated Lift: Sport - 3.5" (90mm) / Rubicon - 2.5" (65mm)

SWB MODELS		Part Number	Qty	Note
Medium Load	Spring	3136	1	1
	Shock - N/Sport	60151		2
	Shock - N/Plus	63151	2	
Constant 150kg	Spring	3137	1	1
	Shock - N/Sport	60151		2
	Shock - N/Plus	63151	2	
BP-51	Shock RH	BP5160034R		
	Shock LH	BP5160034L	1	
	Fit Kit	VM80010039		

FIT KITS & HARDWARE

Loc	Description	Part Number	Qty	Note
R	LOWER CONTROL ARM - ADJUST	LCAJKRR		4
R	UPPER CONTROL ARM - ADJUST	UCAJKRR	1	4,5
R	PANHARD ROD ADJUSTABLE (LHD)	PANRJL002		4
R	TRIM PACKER	OMEJLPR10	EA	1

FRONT SELECTION

3.6L PETROL ENGINE			Part Number	Qty	Notes
Est Lift 50mm	No Bar	Spring	3153	1	
		Shock - N/Plus	63160	2	
	Bar Only	Spring	3153	1	1
		Shock - N/Plus	*63162 / 63160	2	
	Bar/ Winch/ Accessories	Spring	3154	1	
		Shock - N/Plus	63162	2	

2.2L DIESEL ENGINE			Part Number	Qty	Note
Est Lift 50mm	No Bar	Spring	3155	1	
		Shock - N/Plus	63160	2	
	Bar Only	Spring	3155	1	1
		Shock - N/Plus	*63162 / 63160	2	
	Bar/ Winch/ Accessories	Spring	3156	1	
		Shock - N/Plus	63162	2	

FIT KITS & HARDWARE

Loc	Description	Part Number	Qty	Note
F	LOWER CONTROL ARM ADJUST	LCAJLFR	1	2
F	TRIM PACKER	OMEJKPF10	EA	4

REAR SELECTION

3.6L PETROL ENGINE			Part Number	Qty	Notes
Estimated Lift 50mm	Medium Load	Spring	3157	1	
		Shock - N/Plus	63161	2	
	Constant 150kg	Spring	3158	1	
		Shock - N/Sport Shock - N/Plus	*60163 *63163 / 63161	2	
	Constant 300kg	Spring	3159	1	
		Shock - N/Sport Shock - N/Plus	60163 63163	2	

2.2L DIESEL ENGINE			Part Number	Qty	Notes
Estimated Lift 50mm	Medium Load	Spring	3137	1	
		Shock - N/Plus	63161	2	
	Constant 150kg	Spring	3138	1	
		Shock - N/Sport Shock - N/Plus	*60163 *63163 / 63161	2	
	Constant 300kg	Spring	3139	1	
		Shock - N/Sport Shock - N/Plus	60163 63163	2	

FIT KITS & HARDWARE

Loc	Description	Part Number	Qty	Notes
R	BUMP STOP KIT	FK100	1	3
R	TRM PACKER	OMEJLPR10	EA	4

Comments

- 1 Use OMEJKPF10 to achieve lift with bar only. Do not fit more than one (1) packer per coil spring.
- 2 Fitment of LCAJLFR Front Lower Control Arm is recommended to restore wheel alignment castor settings. LCAJLFR should be set at 5mm longer than OE prior to wheel alignment.
- 3 Fitment of FK100 is mandatory. FK100 Bump Stop Kit prevents springs from going solid.
- 4 For trim adjustment use - Front: OMEJKPF10 Rear: OMEJLPR10. Do not fit more than one (1) packer per coil spring.

OFF ROAD USE ONLY - CHRYSLER

JEEP WRANGLER JL LWB 2018 ON

GLOBAL

FRONT SELECTION

Estimated Lift: Sport - 3.5" (90mm) / Rubicon - 2.5" (65mm)

PETROL ENGINE		Part Number	Qty	Notes
No Bar	Spring	3134	1	1
	Shock - N/Plus	63150	2	
Bar Only	Spring	3135	1	1
	Shock - N/Plus	63150	2	
Bar/ Winch/ Accessories	Spring	3135	1	1
	Shock - N/Plus	63150	2	
BP-51	Shock	BP5160033	2	
	Fit Kit	VM80010038	1	

DIESEL ENGINE		Part Number	Qty	Notes
No Bar	Spring	3175	1	1
	Shock - N/Plus	63150	2	
Bar Only	Spring	3162	1	1
	Shock - N/Plus	63150	2	
Bar/ Winch/ Accessories	Spring	3162	1	1
	Shock - N/Plus	63150	2	
BP-51	Shock	BP5160033	2	
	Fit Kit	VM80010038	1	

FIT KITS & HARDWARE

Loc	Description	Part Number	Qty	Note
F	LOWER CONTROL ARM ADJUST	LCAJLFR		2
F	BUMP STOP KIT	FK92		3
F	SWAY BAR LINK KIT	FK105	1	
F	UPPER CONTROL ARM ADJUST	UCAJLFR		4
F	PANHARD ROD ADJUSTABLE (LHD)	PANRJL001		
F	TRIM PACKER	OMEJKPF10	EA	1

REAR SELECTION

Estimated Lift: Sport - 3.5" (90mm) / Rubicon - 2.5" (65mm)

LWB MODELS		Part Number	Qty	Notes
Medium Load	Spring	3137	1	1
	Shock - N/Sport	60151		3
	Shock - N/Plus	63151	2	
Constant 150kg	Spring	3138	1	1
	Shock - N/Sport	60151		3
	Shock - N/Plus	63151	2	
Constant 300kg	Spring	3139	1	1
	Shock - N/Sport	60151		3
	Shock - N/Plus	63151	2	
BP-51	Shock RH	BP5160034R		
	Shock LH	BP5160034L	1	
	Fit Kit	VM80010039		

FIT KITS & HARDWARE

Loc	Description	Part Number	Qty	Notes
R	LOWER CONTROL ARM ADJUST	LCAJKRR		4
R	UPPER CONTROL ARM ADJUST	UCAJKRR	1	4,5
R	PANHARD ROD ADJUSTABLE (LHD)	PANRJL002		4
R	TRIM PACKER	OMEJLPR10	EA	1

Lift increase is approximate and will depend on vehicle weights.

Modifications for off road use only.

The products listed in this selection chart are deemed by Old Man Emu to be suitable for off road use and their legality for public road use should be certified by the relevant Registration Authority. An Off Road Use Only Disclaimer must be signed by the customer.

Modifications and replacement of other associated components will be required.

Comments

- 1 For trim adjustment use - Front: OMEJKPF10 Rear: OMEJLPR10. Do not fit more than one (1) packer per coil spring.
- 2 Fitment of LCAJLFR Front Lower Control Arm is **required** to restore wheel alignment castor settings.
- 3 Fitment of FK92 is **mandatory**. FK92 Bump Stop Kit prevents shock absorbers from going solid for fitment of larger tyres. Fitment of FK105 is **mandatory**. FK105 allows the shocks to extend freely without limit or contact.
- 4 Fitment not mandatory, however fitment will allow for fine tuning vehicle geometry.
- 5 Not suitable for models with headlight adjustment, no provision for adjustment link.

FRONT SELECTION

V6 PETROL ENGINE			Part Number	Qty	Notes
Estimated Lift 50mm	No Bar	Spring	2626	1	1,3,4,5
		Shock - N/Plus	63066	2	2
	Bar Only	Spring	2615	1	1
		Shock - N/Plus	63066	2	2
	Bar/ Winch/ Accessories	Spring	2627	1	1
		Shock - N/Plus	63066	2	2
	BP-51	Shock	BP5160031	2	1
		Fit Kit	VM80010014	1	2

2.8 DIESEL ENGINE			Part Number	Qty	Notes
Estimated Lift 50mm	No Bar	Spring	2627	1	1,3,4,5
		Shock - N/Plus	63066	2	2
	Bar Only	Spring	2616	1	1
		Shock - N/Plus	63066	2	2
	Bar/ Winch/ Accessories	Spring	2628	1	1
		Shock - N/Plus	63066	2	2
	BP-51	Shock	BP5160031	2	1
		Fit Kit	VM80010014	1	2

FIT KITS & HARDWARE

Loc	Description	Part Number	Qty	Note
F	STEERING DAMPER	OMESD48	1	6
F	STEERING STABILISER MOUNT KIT	FK50		6
F	TRIM PACKER	OMEJKPF10	EA	1
F	CASTER CORRECTION KIT	FK53	1	5

REAR SELECTION

ALL MODELS			Part Number	Qty	Notes
Est Lift 50mm	Medium Load	Spring	2630	1	
		Shock - N/Plus	63067	2	
	Constant 150kg	Spring	2617	1	
		Shock - N/Plus	63067	2	
	BP-51	Shock 2"	BP5160032	2	
		Fit Kit 2"	VM80010024	1	

FIT KITS & HARDWARE

Loc	Description	Part Number	Qty	Notes
R	PANHARD ROD EXT BKT KIT (LHD)	FK37	1	2
R	PANHARD ROD EXT BKT KIT (RHD)	FK39		
R	TRIM PACKER	OMEJKPR10	EA	1

SUSPENSION KITS

4" Complete Kit	Lift	Part Number	Qty
Petrol RHD	100mm	OMEJK4RHD	1
Diesel RHD	100mm	OMEJK4RHDD	
Petrol LHD	100mm	OMEJK4	
Diesel LHD	100mm	OMEJK4D	

Comments

1 For trim adjustment use - Front: OMEJKPF10 Rear: OMEJKPR10. Do not fit more than 1 packer per coil spring.

2 Fitment of Panhard rod extension bracket kit is not mandatory, however fitment will improve the ride feel by locating the panhard rod to its original position.

3 2012 Models with 3.6L engine will require exhaust or driveshaft modification to avoid contact of driveshaft and exhaust at full droop. When fitting larger than original diameter tyres, it is a requirement to fit aftermarket wheels (rims) that have a greater offset (less backspacing) to ensure that sufficient clearance is given between the tyre to sway bar, sway bar links and control arms.

4 Kit Includes: 2 x Front Shocks, 2 x Rear Shocks, 1 x (pair) Front Coils, 1 x (pair) Rear Coils, 1 x Steering Damper, 1 x Front Forged Panhard, 1 x Bump Stop Kit, 1 x Brakeline Relocation Kit, 1 x Rear Panhard Bracket Kit, 1 x Sway Bar Link Dis-Connect Kit, 1 x Caster & Driveline Kit, 2 x Front Trim Packer, 2 x Rear Trim Packer, 1 x Display Carton. Refer to Chrysler Jeep Wrangler JK Off Road Use Only page for kit breakdown

5 FK53 Caster Kit will increase caster angle by 2 degrees. Check manufacturer's specification if Caster Kit is required.

6 FK50 is a mandatory fitment for 2006 To 2008 Models when fitting OMESD48. Left hand drive only.

FRONT SELECTION

V6 PETROL ENGINE			Part Number	Qty	Notes
Estimated Lift 50mm	No Bar	Spring	2627	1	1,3,4,5
		Shock - N/Plus	63066	2	2
	Bar Only	Spring	2616	1	1
		Shock - N/Plus	63066	2	2
	Bar/ Winch/ Accessories	Spring	2628	1	1
		Shock - N/Plus	63066	2	2
	BP-51	Shock	BP5160031	2	1
		Fit Kit	VM80010014	1	2

2.8 DIESEL ENGINE			Part Number	Qty	Notes
Estimated Lift 50mm	No Bar	Spring	2628	1	1,3,4,5
		Shock - N/Plus	63066	2	
	Bar Only	Spring	2619	1	1
		Shock - N/Plus	63066	2	
	Bar/ Winch/ Accessories	Spring	2629	1	1
		Shock - N/Plus	63066	2	
	BP-51	Shock	BP5160031	2	1
		Fit Kit	VM80010014	1	2

FIT KITS & HARDWARE

Loc	Description	Part Number	Qty	Note
F	STEERING DAMPER	OMESD48	1	
F	STEERING STABILISER MOUNT KIT	FK50		6
F	TRIM PACKER	OMEJKPF10	EA	1
F	CASTER CORRECTION KIT	FK53	1	5

REAR SELECTION

ALL MODELS			Part Number	Qty	Notes
Estimated Lift 50mm	Medium Load	Spring	2617	1	
		Shock - N/Plus	63067	2	
	Constant 150kg	Spring	2618	1	
		Shock - N/Plus	63067	2	
	Constant 300kg	Spring	2620	1	
		Shock - N/Plus	63067	2	
	BP-51	Shock	BP5160032	2	
		Fit Kit	VM80010024	1	7

FIT KITS & HARDWARE

Loc	Description	Part Number	Qty	Notes
R	PANHARD ROD EXT BKT KIT (LHD)	FK37	1	2
R	PANHARD ROD EXT BKT KIT (RHD)	FK39		
R	TRIM PACKER	OMEJKPR10	EA	1

SUSPENSION KITS

4" Complete Kit	Lift	Part Number	Qty
Petrol RHD	100mm	OMEJK4RHD	1
Diesel RHD		OMEJK4RHDD	
Petrol LHD		OMEJK4	
Diesel LHD		OMEJK4D	

Comments

1 For trim adjustment use - Front: OMEJKPF10
Rear: OMEJKPR10. Do not fit more than 1 packer per coil spring.

2 Fitment of Panhard rod extension bracket kit is not mandatory, however fitment will improve the ride feel by locating the panhard rod to its original position.

3 2012 Models with 3.6L engine will require exhaust or driveshaft modification to avoid contact of driveshaft and exhaust at full droop. When fitting larger than original diameter tyres, it is a requirement to fit aftermarket wheels (rims) that have a greater offset (less backspacing) to ensure that sufficient clearance is given between the tyre to sway bar, sway bar links and control arms.

4 Kit Includes: 2 x Front Shocks, 2 x Rear Shocks, 1 x (pair) Front Coils, 1 x (pair) Rear Coils, 1 x Steering Damper, 1 x Front Forged Panhard, 1 x Bump Stop Kit, 1 x Brakeline Relocation Kit, 1 x Rear Panhard Bracket Kit, 1 x Sway Bar Link Dis-Connect Kit, 1 x Caster & Driveline Kit, 2 x Front Trim Packer, 2 x Rear Trim Packer, 1 x Display Carton. Refer to Chrysler Jeep Wrangler JK Off Road Use Only page for kit breakdown

5 FK53 Caster Kit will increase caster angle by 2 degrees. Check manufacturer's specification if Caster Kit is required.

6 FK50 is a mandatory fitment for 2006 To 2008 Models when fitting OMESD48. Left hand drive only.

7 When remaining stock of N198, 60066 & 60067 is exhausted no further product will be available.

OFF ROAD USE ONLY - CHRYSLER

JEEP WRANGLER JK

GLOBAL

FRONT SELECTION

ALL LWB MODELS		Part Number	Qty	Notes	
Estimated Lift 100mm	Coil Springs	Spring - Petrol	2642	1	
		Spring - Diesel	3047		
		Shock - Long	60066L	2	
	Nitro +	Shock - Mid	63066M	2	1
		Shock - Long	63066L		
	BP-51	Shock - Mid	BP5160021	2	1, 2
		Shock - Long	BP5160022		
		Fit Kit	VM80010014	1	

Lift increase is approximate and will depend on

Modifications for off road use only.

The products listed in this selection chart are deemed by Old Man Emu to be suitable for off road use and their legality for public road use should be certified by the relevant Registration Authority. An Off Road Use Only Disclaimer must be signed by the customer.

Modifications and replacement of other associated components will be required.

Warranty will be void if the shocks have been used in a racing application.

2012 Models with 3.6L engine will require exhaust or driveshaft modification to avoid contact of driveshaft and exhaust at full droop.

When fitting larger than original diameter tyres, it is a requirement to fit aftermarket wheels (rims) that have a greater offset (less backspacing) to ensure that sufficient clearance is given between the tyre to sway bar, sway bar links and control arms.

Comments

1 Shocks are designed around a 100mm coil - compatibility for 75mm & 125mm need to be determined by the installer with open and closed lengths checked as well as bump stop contact measurements.

2 BP5160021 4+ Front 633 - Suits OMEJK4 Kits.
BP5160022 4+ Front 683 - Longer travel front shock, other modifications to the vehicle will be required.

3 FK53 suits front only. Increases caster by 2 degrees.

4 FK49 Adjusts front caster and rear pinon angle.

5 FK48 suits 100mm lift.

6 3460010SP & 3460011SP suits 100mm lift. Kit is a link only.

7 OMEB3023 suits sway bar link 3460010SP.

8 LCAJKFR & UCAJKFR - Suits SWB & Unlimited models (1 pair).

9 PANRJK002 - suits LHD.
PANRJK003 - suits RHD.

10 Coil trim packers may be required to trim vehicles. Each packer is 10mm.

11 FK47RHD - suits RHD & 100mm Lift.
FK47 - suits LHD & 100mm Lift.

12 LCAJKRR & UCAJKRR - suits SWB & Unlimited Models (1 pair).

13 FK50 is a mandatory fitment for 2006 To 2008 Models when fitting OMEB3023. Left hand drive only.

14 BP5160030, 4+ Rear 685.
VM80010015 4+ Rear.

FIT KITS & HARDWARE

Loc	Description	Part Number	Qty	Note	
F	STEERING DAMPER	OMESD48	1	13	
F	STEERING STABILISER MOUNT KIT	FK50		13	
F	CASTER KIT	FK53		3	
F	CASTER & DRIVELINE KIT	FK49		4	
F	BRAKELINE RELOCATION KIT	FK46			
F	SWAY BAR DISCONNECT KIT	FK48		5	
F	SWAY BAR LINK	3460010SP		2	6
F	SWAY BAR LINK BUSH KIT	OMESB3023		EA	7
F	LOWER CONTROL ARM	LCAJKFR		1	8
F	UPPER CONTROL ARM	UCAJKFR			
F	ADJUSTABLE PANHARD ROD	PANRJK002 PANRJK003	1	9	
F	BUMP STOP EXT KIT	FK40			
F	TRIM PACKER	OMEJKPF10	EA	10	

COMPLETE KITS - 100mm (4 Inch)

Description	Part Number	Qty
100mm Kit - Suits Petrol RHD	OMEJK4RHD	1
100mm Kit - Suits Diesel RHD	OMEJK4RHDD	
100mm Kit - Suits Petrol LHD	OMEJK4	
100mm Kit - Suits Diesel LHD	OMEJK4D	

Kit Includes: 2 x Front Shocks, 2 x Rear Shocks, 1 x (pair) Front Coils, 1 x (pair) Rear Coils, 1 x Steering Damper, 1 x Front Forged Panhard, 1 x Bump Stop Kit, 1 x Brakeline Relocation Kit, 1 x Rear Panhard Bracket Kit, 1 x Sway Bar Link Dis-Connect Kit, 1 x Caster & Driveline Kit, 2 x Front Trim Packer, 2 x Rear Trim Packer, 1 x Display Carton.

REAR SELECTION

ALL LWB MODELS		Part Number	Qty	Notes
Est Lift 100mm	Medium Load	Spring	2643	1
	Constant 300kg	Spring	3046	1
	Nitrocharger +	Shock	63067L	2 1
	BP-51	Shock	BP5160030	2 1, 14
Fit Kit		VM80010015	1 14	

FIT KITS & HARDWARE

Loc	Description	Part Number	Qty	Note
R	PANHARD BRACKET KIT	FK47	1	11
		FK47RHD		
R	SWAY BAR LINK	3460011SP	2	6
R	LOWER CONTROL ARM	LCAJKRR	1	12
R	UPPER CONTROL ARM	UCAJKRR		
R	BRAKELINE RELOCATION KIT	FK46	1	5
R	SWAY BAR DISCONNECT KIT	FK48		
R	BUMP STOP EXTENSION KIT	FK40	EA	10
R	TRIM PACKER	OMEJKPR10		

Lift increase is approximate and will depend on

Modifications for off road use only.

The products listed in this selection chart are deemed by Old Man Emu to be suitable for off road use and their legality for public road use should be certified by the relevant Registration Authority. An Off Road Use Only Disclaimer must be signed by the customer.

Modifications and replacement of other associated components will be required.

Warranty will be void if the shocks have been used in a racing application.

2012 Models with 3.6L engine will require exhaust or driveshaft modification to avoid contact of driveshaft and exhaust at full droop.

When fitting larger than original diameter tyres, it is a requirement to fit aftermarket wheels (rims) that have a greater offset (less backsparing) to ensure that sufficient clearance is given between the tyre to sway bar, sway bar links and control arms.

Comments

- 1** Shocks are designed around a 100mm coil - compatibility for 75mm & 125mm need to be determined by the installer with open and closed lengths checked as well as bump stop contact measurements.
- 2** BP5160021 4+ Front 633 - Suits OMEJK4 Kits.
BP5160022 4+ Front 683 - Longer travel front shock, other modifications to the vehicle will be required.
- 3** FK53 suits front only. Increases caster by 2 degrees.
- 4** FK49 Adjusts front caster and rear pinon angle.
- 5** FK48 suits 100mm lift.
- 6** 3460010SP & 3460011SP suits 100mm lift. Kit is a link only.
- 7** OMEB3023 suits sway bar link 3460010SP.
- 8** LCAJKFR & UCAJKFR - Suits SWB & Unlimited models (1 pair).
- 9** PANRJK002 - suits LHD.
PANRJK003 - suits RHD.
- 10** Coil trim packers may be required to trim vehicles. Each packer is 10mm.
- 11** FK47RHD - suits RHD & 100mm Lift.
FK47 - suits LHD & 100mm Lift.
- 12** LCAJKRR & UCAJKRR - suits SWB & Unlimited Models (1 pair).
- 13** FK50 is a mandatory fitment for 2006 To 2008 Models when fitting OMESD48. Left hand drive only.
- 14** BP5160030, 4+ Rear 685.
VM80010015 4+ Rear.

FRONT SELECTION

5.7L PETROL & 3.0L DIESEL			Part Number	Qty	Notes
Est Lift 40-45mm	No Bar	Spring	3163	1	2,4
		Strut - N/Sport	90044	2	1,4
	Bar Only	Spring	3164	1	2,4
		Strut - N/Sport	90044	2	1,4
	Bar/ Winch/ Accessories	Spring	3165	1	2,4
		Strut - N/Sport	90044	2	1,4
	Nitro +	Spring	4035	1	2,4
		Strut - N/Plus	93044	2	1,4

Comments

- 1** No top mounting bushes supplied. Re-use OE Top Hat, Dirt Shield and Bump Stop.
- 2** Trim packer OME95PF5 provides approximately 10mm lift at wheel. Do not fit more than one (1) packer per coil spring.
- 3** Workshop tool FK102 **recommended** for rear shock fitment.
- 4** OME coils and struts must be fitted together due to different winding of the lower coil seat.

FIT KITS & HARDWARE

Loc	Description	Part Number	Qty	Note
F	TRIM PACKER - SUITS N/SPORT	OME95PF5	EA	2

REAR SELECTION

5.7L PETROL & 3.0L DIESEL			Part Number	Qty	Note
Est Lift 40-45mm	Medium Load	Spring	3167	1	
		Shock - N/Plus	63164	2	
	Constant 300kg	Spring	3168	1	
		Shock - N/Sport	*60165	2	3
	Shock - N/Plus	*63165 / 63164			
	Constant 600kg	Spring	3169	1	
		Shock - N/Sport	60165	2	3
	Shock - N/Plus	63165			

FIT KITS & HARDWARE

Loc	Description	Part Number	Qty	Note
R	REAR SHOCK TOOL	FK102	EA	3

FRONT SELECTION

ALL MODELS		Part Number	Qty	Notes	
Est Lift 20-40mm	Nitrocharger +	Spring - 40mm	4024	1	6
		Spring - 20mm	4028		6
		Strut	*93053/ 93052	2	1,2,3
	MT-64	Spring - 40mm	4024	1	6
		Spring - 20mm	4028		6
		Strut	MT64902001	2	
	BP-51	Strut Heavy	MT64902002		
		Strut - RH	BP5190015R		6
		Strut - LH	BP5190015L	1	6
		Fit Kit	VM80010053		

ALL MODELS		Part Number	Qty	Notes	
0mm	OE COIL ADAPTER	OE Coil Adapter	FK125	1	
		Strut	93402	2	

FIT KITS & HARDWARE

Loc	Description	Part Number	Qty	Note
F	Upper Control Arm	UCA0009	1	4
F	Upper Control Arm	UCA0015		
F	Trim Packer	FK112	EA	
F	Front Axle Upgrade	FAURAN1640	1	5

Comments

- 1** No top mounting bushes supplied, re-use OE Top Hat, Dirt Shield and Bump Stop.
- 2** Spring selection based on Summit bar. If fitting a Sahara Bar please select down one spring.
- 3** Does not suit OE coil
- 4** UCA0009 - suits vehicles with Alloy Steering Knuckle
UCA0015 - suits vehicles with Cast Iron Steering Knuckle
- 5** Compelte OME suspension kit must be fitted
- 6 Please Note:** On 4cyl Engine model it is necessary to step down a pre-load setting to obtain the advertised estimated lift.

REAR SELECTION

ALL MODELS		Part Number	Qty	Note
Estimated Lift 40mm	Medium Load	Multi-Leaf Spring	EL130R	2,8,11,13
		Parabolic Spring	PB011R	2,8,11,12
		Shock - N/Sport	60172	2
		Shock - N/Plus	63172	
		Shock - MT64	MT64602003L	1+1
		Shock - MT64	MT64602003R	
	Constant 300kg	Multi-Leaf Spring	EL131R	2,8,11,13
		Parabolic Spring	PB012R	2,8,11,12
		Shock - N/Sport	60172	2
		Shock - N/Plus	*63173 / 63172	
		Shock - MT64	MT64602003L	1+1
		Shock - MT64	MT64602003R	
		Shock - MT64	*MT64602004L	
		Shock - MT64	*MT64602004R	
	Constant 600kg	Multi-Leaf Spring	EL132R	2,8,11,13
		Parabolic Spring	PB013R	2,8,11,12
		Shock - N/Plus	*63178 / 63173	9
		Shock - MT64	MT64602004L	1+1
		Shock - MT64	MT64602004R	
	BP-51	Shock - RH	BP5160055R	1
Shock - LH		BP5160055L		
Fit Kit		VM80010052		
Air Bag Fit Kit		FK130	15	
AIR BAG KIT	OMEAB004	1	12,14	
BLUETOOTH CONTROL MODULE	0830002			
LINX PRESSURE CONTROL KIT	7450107			
LINX AIRBAG ISOLATION KIT	7450109			
PURGE CONTROL KIT	OMEABK001			
Greasable Shackle Kit	OMEGS20	1		
Greasable Pin Kit	OMEGP10			
Spring Bush Kit	OMESB117	2	1	
	OMESB118			
U-Bolts	OMEU82	4	2	
	OMEU83			
	OMEU91			
	OMEU92			
Extra Leaf	EL48XL	2	4,9	
Extra Leaf Spacer Kit	ELSK15			
Centre Bolt			10	

Comments

- OMESB117 suits OE Shackle
OMESB118 bush kit suits OME Greasable shackle OMEGS20
- Use OMEU82 when fitting EL130R/ EL131R. Use OMEU83 when fitting EL132R. Use OMEU91 when fitting PB011R/PB012R. Use OMEU92 when fitting PB013R
- Fitment of Driveline Spacer Kit FK113 is recommended to re-align driveline.
- EL48XL will give approximately 30mm extra lift or increase loading capacity at design height by approximately 300kg.
- FK114 only required for vehicles fitted with upgraded auto levelling head lights.
- FK115 Bump Stop Adapter Kit is optional but highly recommended to save fitment time
- FK116 Diff Breather Extension Kit only required for vehicles fitted with Ad Blue (Europe Only - for other markets check vehicle specs)
- FK95 is a recommended fitment if original leaf spring fixed eye nut bolts are in poor condition. Ensure correct torque specifications are used in supplied fitting instructions.
- Use 63178 when adding an EL48XL Extra Leaf to a EL132R Leaf Spring or when carrying constant loads of 800kg and above. EL48XL will give an extra 250-300kg carrying capacity or 20-25mm lift.
- Refer to **Leaf Spring Service Parts** section for Centre Bolt selection. Please note EL130R / EL131R & EL132R require 2 centre bolts per leaf.
- Wildtrack model is approximately 200kg heavier and will result in 10-15mm less in ride height. Trim packers may be required.
- Air Bag Kit is a **mandatory** fitment
- Air Bag Kit is **not recommended** for Multi-Leaf Springs.
- It is highly recommended to check compatibility on vehicles already fitted with aftermarket suspension and/or exhaust systems. For Air Bag Kit details refer to Air Bag Specification sheet at the rear of this guide.
- FK130 is required when fitting OMEAB004 with BP-51's

FIT KITS & HARDWARE

Loc	Description	Part Number	Qty	Note
R	Driveline Spacer Kit	FK113	1	3
R	Headlight Sensor Bracket	FK114		5
R	Bump Stop Adapter Kit	FK115		6
R	Diff Breather Extension Kit	FK116		7
R	Trim Packer	ELSK14	EA	
R	Leaf Spring Front Eye Bolt	FK95		8

FRONT SELECTION - Esitimated Lift 0-20mm

ALL MODELS		Part Number	Qty	Notes	
20mm	Nitrocharger +	Strut	93402	2	1,2,3
		Fit Kit	FK125	1	

ALL MODELS		Part Number	Qty	Notes	
0mm	OE COIL ADAPTER	OE Coil Adapter	FK125	1	
		Strut	93402	2	

REAR SELECTION - Esitimated Lift 0-20mm

ALL MODELS		Part Number	Qty	Notes	
	Nitrocharger +	Shock	60172	2	1

Comments

- 1 No top mounting bushes supplied, re-use OE Top Hat, Dirt Shield, Bump Stop & OE Coil Spring.
- 2 Does not suit OME coil
- 3 Use with coil seat adapter kit FK125

FORD

FORD RANGER RAPTOR TO 2022

DOMESTIC (AUS)

FRONT SELECTION - Estimated Lift 25mm

DIESEL ENGINE		Part Number	Qty	Notes
No Bar	Spring	3181	1	

REAR SELECTION - Estimated Lift 25mm

ALL MODELS		Part Number	Qty	Note
Medium Load	Spring	3182	1	2
	Shock	USE OE	2	1
Constant 200kg	Spring	3183	1	2
	Shock	USE OE	2	1

Comments

- 1 Coils only to be fitted to OE struts and shocks.
- 2 Coils are designed to give 25mm lift at designated carrying capacity (medium or constant 200kg). OE ride height will be achieved with extra 200kg over nominated weight (200kg or 400kg).

FRONT SELECTION

DIESEL ENGINE			Part Number	Qty	Notes
30-45mm	Nitro +	Spring - 45mm	4009	1	
		Spring - 30mm	4015		
		Strut - N/Plus	*93039 / 93038	2	1, 6
45mm	BP-51	Coilover RH	BP5190012R		
		Coilover LH	BP5190012L	1	
		Fit Kit	VM80010040		

FIT KITS & HARDWARE

Loc	Description	Part Number	Qty	Note
F	UPPER CONTROL ARMS	UCA0002	1	5
F	TRIM PACKER	FK94	EA	2
F	STRUT TOP HAT KIT	OMETH009		3
F	FRONT AXLE UPGRADE LABEL KIT	FAUPX1630	1	4

SERVICE PARTS

Description	Part #	Qty	Note
OME UCA Eye Bush 2pk	UCASP004	1	
OME UCA Ball Joint 1pk	UCASP005	EA	
OME UCA Boot 2pk	UCASP006	1	

Comments

- 1** No top mounting bushes supplied, re-use OE Top Hat, Dirt Shield and Bump Stop.
- 2** Trim Packer FK94 provides 10mm lift at the wheel.
- 3** Strut Top Hat Kit may be required if original equipment is worn.
- 4** Australia Only. Full OME suspension system must be fitted.
- 5** The OME Upper Control Arm will provide an increase between +2.5 and +3.5 degrees of caster and up to 1.5 degrees of negative camber increase (figures based off an approximate 50mm lift). Please note after fitment of Upper Control Arm a vehicle wheel alignment will be required.
- 6** Does not suit OE Coil

REAR SELECTION

ALL MODELS		Part Number	Qty	Notes	
Estimated Lift 40mm	Medium Load	Spring Multi leaf	EL126R	2	7, 12
		Shock - N/Plus	*63101 / 63023		
	Constant 300kg	Spring Multi leaf	EL127R	2	7,12
		Shock - N/Sport	*60102		
		Shock - N/Plus	*63102 / 63101		
	Constant 600kg	Spring Multi leaf	EL128R	2	7,12
		Shock - N/Sport	60102		
		Shock - N/Plus	63102		
	BP-51	Shock RH	BP5160027R	1	
		Shock LH	BP5160027L		
		Shock RH Heavy	*BP5160037R		
		Shock LH Heavy	*BP5160037L		
		Fit Kit	VM80010012		
		GREASABLE SHACKLE KIT	OMEGS20	1	6
	GREASABLE PIN KIT	OMEGP10	14		
		OMEGP9			
SPRING BUSH KIT		OMESB117	2	6	
		OMESB118			
		OMESB102			
		OMESB103			
U BOLTS		OMEU66	4	7	
		OMEU66A			
		OMEU66B			
	EXTRA LEAF	EL34XL	2	9	
	EXTRA LEAF SPACER KIT	ELSK12			

FIT KITS & HARDWARE

Loc	Description	Part Number	Qty	Notes
R	DRIVELINE SPACER KIT	FK57	1	8, 10
R	TRIM PACKER	ELSK05	EA	
R	LEAF SPRING FRONT EYE BOLT KIT	FK95	EA	11
R	LEAF SPRING ISOLATOR	FK103	PR	12
R	CENTRE BOLT		EA	13

Comments

- 1 No top mounting bushes supplied, re-use OE Top Hat, Dirt Shield and Bump Stop.
- 2 Trim Packer FK94 provides 10mm lift at the wheel.
- 3 Strut Top Hat Kit may be required if original equipment is worn.
- 4 Australia Only. Full OME suspension system must be fitted.
- 5 The OME Upper Control Arm will provide an increase between +2.5 and +3.5 degrees of caster and up to 1.5 degrees of negative camber increase (figures based off an approximate 50mm lift). Please note after fitment of Upper Control Arm a vehicle wheel alignment will be required.
- 6 OMESB117 suits OE Shackle - EL102R/ EL103R/ EL126R/ EL127R/ EL128R.
OMESB102 suits OE Shackle - EL049R/ EL068R/ EL069R
OMESB118 Bush Kit suits OME Greasable Shackle
OMEGS20 - EL102R/ EL103R/ EL126R/ EL127R/ EL128R.
OMESB103 suits OME Greasable Shackle OMEGS20 - EL049R/ EL068R/ EL069R
- 7 Use OMEU66 when fitting EL102R/ EL126R.
Use OMEU66A when fitting EL103R/ EL127R/ EL128R.
Use OMEU66B when fitting EL128R with EL34XL.
- 8 Fitment of Driveline Spacer Kit FK57 is recommended to re-align driveline.
- 9 EL34XL will give approximately 30mm extra lift or increase loading capacity at design height by approximately 300kg.
- 10 If a TAD110 Frontier tank is installed in the vehicle, when fitting the FK57 spacer kit, the tank will need to be lowered to allow removal of the centre bearing bolts.
- 11 FK95 is a recommended fitment if original leaf spring fixed eye nut bolts are in poor condition. Ensure correct torque specifications are used in supplied fitting instruction.
- 12 Specific fit kit Ford Licence Accessory (FLA), Refer FLA Application Guide.
- 13 Refer to Leaf Spring Service Parts section for Centre Bolt selection.
- 14 OMEGP10 Suits - EL102R/ EL103R/ EL126R/ EL127R / EL128R
OMEGP9 Suits - EL049R/ EL068R

FRONT SELECTION

DIESEL ENGINE			Part Number	Qty	Notes
30-50mm	Nitro +	Spring - 50mm	4013	1	5
		Spring - 30mm	4025		
		Strut	*93020 / 93019	2	1,5,13
30-40mm	BP-51	Coilover RH	BP5190005R	1	5
		Coilover LH	BP5190005L		
		Fit Kit	VM80010011		

FIT KITS & HARDWARE

Loc	Description	Part Number	Qty	Note
F	UPPER CONTROL ARM	UCA0002	PR	4
F	TRIM PACKER	FK56		2
F	UPPER STRUT BUSHES	OME3135	EA	1
F	STRUT TOP HAT KIT	OMETH006		3

SERVICE PARTS

Description	Part #	Qty	Note
OME UCA Eye Bush 2pk	UCASP004	1	
OME UCA Ball Joint 1pk	UCASP005	EA	
OME UCA Boot 2pk	UCASP006	1	

Comments

1 No top mounting bushes supplied use OME3135. OE bushes may be re-used if in good condition.

2 Trim Packer FK56 provides 10mm lift at the wheel.

3 Strut Top Hat Kit may be required if original equipment is worn.

4 The OME Upper Control Arm will provide an increase between +2.5 and +3.5 degrees of caster and up to 1.5 degrees of negative camber increase (figures based off an approximate 50mm lift). Please note after fitment of Upper Control Arm a vehicle wheel alignment will be required.

5 **Important:** Please refer to TSB003.

6 OMESB117 suits OE Shackle & Greasable Shackle Pin Kit OMEGP10 - ¹²EL102R/¹²EL103R/EL126R/EL127R/EL128R.

OMESB102 suits OE Shackle & Greasable Shackle Pin Kit OMEGP9 - EL049R.

OMESB118 Bush Kit suits OME Greasable Shackle OMEGS20 - ¹²EL102R/¹²EL103R/ EL126R/ EL127R/EL128R.

OMESB103 suits OME Greasable Shackle OMEGS20 - EL049R & pin kit OMEGP9

7 Use OMEU66 when fitting ¹²EL102R/EL126R.

Use OMEU66A when fitting ¹²EL103R/EL127R/EL128R.

Use OMEU66B when fitting EL128R with EL34XL.

8 Fitment of Driveline Spacer Kit FK57 is recommended to re-align driveline.

9 EL34XL will give approximately 30mm extra lift or increase loading capacity at design height by approximately 300kg.

10 If a TAD110 Frontier tank is installed in the vehicle, when fitting the FK57 spacer kit, the tank will need to be lowered to allow removal of the centre bearing bolts.

11 Refer to **Leaf Spring Service Parts** section for Centre Bolt selection.

12 When remaining stock of 90019, 90020, EL102R & EL103R is exhausted no further product will be available.

13 Does not suit OE Coil.

REAR SELECTION

ALL MODELS		Part Number	Qty	Notes	
Estimated Lift 40mm	Medium Load	Spring Multi leaf	EL126R	2	7
		Shock - N/Plus	*63101 / 63023		
	Constant 300kg	Spring Multi leaf	EL127R	2	7 12
		Shock - N/Sport	*60102		
		Shock - N/Plus	*63102 / 63101		
	Constant 600kg	Spring Multi leaf	EL128R	2	7 12
		Shock - N/Sport	60102		
		Shock - N/Plus	63102		
	BP-51	Shock RH	BP5160027R	1	
		Shock LH	BP5160027L		
		Shock RH Heavy	*BP5160037R	1	
		Shock LH Heavy	*BP5160037L		
		Fit Kit	VM80010012	1	
	GREASABLE SHACKLE KIT		OMEGS20	1	6
GREASABLE PIN KIT		OMEGP10 OMEGP9			
SPRING BUSH KIT		OMESB117	2	6	
		OMESB118			
		OMESB102			
		OMESB103			
U BOLTS		OMEU66	4	7	
		OMEU66A			
		OMEU66B			
EXTRA LEAF		EL34XL	2	9	
EXTRA LEAF SPACER KIT		ELSK12			

FIT KITS & HARDWARE

Loc	Description	Part Number	Qty	Notes
R	DRIVELINE SPACER KIT	FK57	1	8,10
R	TRIM PACKER	ELSK05	EA	
R	CENTRE BOLT			11

Comments

1 No top mounting bushes supplied use OME3135. OE bushes may be re-used if in good condition.

2 Trim Packer FK56 provides 10mm lift at the wheel.

3 Strut Top Hat Kit may be required if original equipment is worn.

4 The OME Upper Control Arm will provide an increase between +2.5 and +3.5 degrees of caster and up to 1.5 degrees of negative camber increase (figures based off an approximate 50mm lift). Please note after fitment of Upper Control Arm a vehicle wheel alignment will be required.

5 Important: Please refer to TSB003.

6 OMESB117 suits OE Shackle & Greasable Shackle Pin Kit OMEGP10 - ¹²EL102R/¹²EL103R/EL126R/EL127R/EL128R.

OMESB102 suits OE Shackle & Greasable Shackle Pin Kit OMEGP9 - EL049R.

OMESB118 Bush Kit suits OME Greasable Shackle OMEGS20 - ¹²EL102R/¹²EL103R/ EL126R/ EL127R/ EL128R.

OMESB103 suits OME Greasable Shackle OMEGS20 - EL049R & pin kit OMEGP9

7 Use OMEU66 when fitting ¹²EL102R/EL126R.

Use OMEU66A when fitting ¹²EL103R/EL127R/EL128R.

Use OMEU66B when fitting EL128R with EL34XL.

8 Fitment of Driveline Spacer Kit FK57 is recommended to re-align driveline.

9 EL34XL will give approximately 30mm extra lift or increase loading capacity at design height by approximately 300kg.

10 If a TAD110 Frontier tank is installed in the vehicle, when fitting the FK57 spacer kit, the tank will need to be lowered to allow removal of the centre bearing bolts.

11 Refer to Leaf Spring Service Parts section for Centre Bolt selection.

12 When remaining stock of 60023, 60101, 60102, EL102R & EL103R is exhausted no further product will be available.

FRONT SELECTION

PETROL & DIESEL ENGINE		Part Number	Qty	Notes
Over 60kg	Torsion Bars	303013	1	5
	Torsion Bars	303005		
	Strut - N/Sport	60022	2	1,7
	Strut - N/Plus	63022		

FIT KITS & HARDWARE

Loc	Description	Part Number	Qty	Note
F	FITTING KIT	FK22	1	1

REAR SELECTION

DIESEL ENGINE		Part Number	Qty	Notes	
Estimated Lift 20mm	Medium Load	Spring Multi leaf	CS056R	2	2,3,4
		Shock - N/Plus	63023		
	Constant 200kg	Spring Multi leaf	EL049R	2	2,3,4
		Shock - N/Plus	63023		
	Constant 400kg	Spring Multi leaf	CS060R	2	2,3,4
		Shock - N/Sport	*60102		
		Shock - N/Plus	*63102 / 63023		7
		GREASABLE SHACKLE KIT	OMEGS18	1	
		GREASABLE PIN KIT	OMEGP14		
		U BOLTS	OMEU66	4	3
	SPRING BUSH KIT	OMESB97	2		

FIT KITS & HARDWARE

Loc	Description	Part Number	Qty	Note
R	EXTRA LEAF	D34XL	2	4
		EL34XL		
R	CENTRE BOLT			6

Comments

- FK22 Front Shock Absorber Upper Mount Support Bracket Kit is a **mandatory** fitment.
 - Include tray weight in constant load calculation.
 - Use OMEU66 when fitting CS056R and EL049R. Use OMEU66A when fitting CS060R.
 - D34XL and UCB19 suits CS056R and CS060R. EL34XL suits EL049R.
 - For Models with 2.5TD engine measure length of Torsion Bar to determine correct fitment.
303005 - 925mm.
303013 - 1024mm.
- All other variants use Part # **303013**.
- Refer to **Leaf Spring Service Parts** section for Centre Bolt selection.
 - When remaining stock of 60023, 60102, N187 and N194 is exhausted no further product will be available.

Remarks:

Some South American Models, built in Argentina, use torsion bars with hexagonal ends. OME suspension is not suitable for these Models.

FORD

COURIER / RANGER 1 TONNE 1985 TO 2005 ALL MODELS

GLOBAL

FRONT SELECTION

PETROL & DIESEL ENGINES		Part Number	Qty	Notes
Over 60kg	Torsion Bars	303005	1	
	Shock - N/Sport	60022	2	1
	Shock - N/Plus	63022		

Comments

1 FK22 support brackets must be installed to upper front shock mounting brackets on late 1996 on Models manufactured in Thailand.

FIT KITS & HARDWARE

Loc	Description	Part Number	Qty	Note
F	FITTING KIT	FK22	1	1

2 Include tray weight in constant load calculation.

3 Refer to **Leaf Spring Service Parts** section for Centre Bolt selection.

REAR SELECTION

ALL MODELS		Part Number	Qty	Notes	
Estimated Lift 20mm	Medium Load	Spring Multi leaf	CS026R	2	
		Shock - N/Plus	63023		
	Constant 200kg	Spring Multi leaf	CS027R	2	
		Shock - N/Plus	63023		
		GREASABLE SHACKLE KIT	OMEGS18	1	
		U BOLTS	OMEU65	4	
	SPRING BUSH KIT	OMESB82	2		

FIT KITS & HARDWARE

Loc	Description	Part Number	Qty	Note
R	EXTRA LEAF	D9XL	2	
R	CENTRE BOLT			3

FRONT SELECTION

DIESEL ENGINE		Part Number	Qty	Notes
Nitrocharger +	Spring - 40mm	4024	1	
	Spring - 20mm	4028		
	Strut - N/Plus	*93053 / 93052	2	
MT64	Spring - 40mm	4024	1	
	Spring - 20mm	4028		
	Strut - MT64	MT64902005	2	
Strut - MT64 Hvy	*MT64902006			
BP-51	Strut - RH	BP5190015R	1+1	
	Strut - LH	BP5190015L		
	Fit Kit	VM80010053	1	

Comments

- 1** No top mounting bushes supplied re-use OE Top Hat, Dirt Shield, Bump Stop & rubber spring isolator.
- 2** Trim Packer FK112 provides 10mm lift at the wheel.
- 3** Re-use rear OE Top Damper Forged Bracket, Bushes, Dirt Shield, Bump Stops and Fasteners for the assembly of the rear shock.
- 4** Does not suit OE Coil.
- 5** UCA0009 - suits vehicles with Alloy Steering Knuckle
UCA0015 - suits vehicles with Cast Iron Steering Knuckle

FIT KITS & HARDWARE

Loc	Description	Part Number	Qty	Note
F	UPPER CONTROL ARM	UCA0009	1	5
		UCA0015		
F	TRIM PACKER	FK112	EA	2
F	STRUT TOP HAT KIT	TBA		
F	FRONT AXLE UPGRADE LABEL KIT	TBA		

REAR SELECTION - Estimated Lift 40mm

ALL MODELS		Part Number	Qty	Note
Medium Load	Spring	3212	1	3
	Shock - N/Sport	60174	2	
	Shock - N/Plus	63174		
	Shock - MT64	MT64602007		
Constant 200kg	Spring	3213	1	3
	Shock - N/Sport	*60175 / 60174	2	
	Shock - N/Plus	*63175 / 63174		
	Shock - MT64	MT64602007		
Constant 400kg	Shock - MT64 Hvy	*MT64602008	1	3
	Spring	3214		
	Shock - N/Sport	60175		
	Shock - N/Plus	63175		
BP-51	Shock - MT64	*MT64602008	2	
	Shock LH	BP5160064L		
	Shock RH	BP5160064R	1+1	
	Fit Kit	VM80010064	1	

FRONT SELECTION - Estimated Lift 30mm

DIESEL ENGINE		Part Number	Qty	Notes
Nitrocharger +	Spring	4037	1	
	Strut - N/Plus	*93053 / 93052	2	1,4
MT64	Spring	4037	1	
	Strut - MT64	MT64902005	2	1,4
Strut - MT64 Hvy	*MT64902006			
BP-51	Strut LH	BP5190015L	1+1	
	Strut RH	BP5190015R		
	Fit Kit	VM80010053		1

Comments

- 1** No top mounting bushes supplied re-use OE Top Hat, Dirt Shield and Bump Stop.
- 2** Trim Packer FK112 provides 10mm lift at the wheel.
- 3** Re-use rear OE Top Damper Forged Bracket, Bushes, Dirt Shield, Bump Stops and Fasteners for the assembly of the rear shock.
- 4** Does not suit OE Coil.
- 5** UCA0009 - suits vehicles with Alloy Steering Knuckle
UCA0015 - suits vehicles with Cast Iron Steering Knuckle

FIT KITS & HARDWARE

Loc	Description	Part Number	Qty	Note
F	UPPER CONTROL ARM	UCA0009	1	5
		UCA0015		
F	TRIM PACKER	FK112	EA	2

REAR SELECTION - Estimated Lift 30mm

ALL MODELS		Part Number	Qty	Note
Medium Load	Spring	3232	1	
	Shock - N/Plus	63174	2	
	Shock - MT64	MT64602007		
BP-51	Shock LH	BP5160064L	1+1	
	Shock RH	BP5160064R		
	Fit Kit	VM80010064		1

FORD

EVEREST MY19 2018 TO 2021

DOMESTIC (AUS)

FRONT SELECTION - Estimated Lift 30mm

DIESEL ENGINE		Part Number	Qty	Notes
Nitro +	Spring	4015	1	
	Strut - N/Plus	*93039 / 93038	2	1,6

FIT KITS & HARDWARE

Loc	Description	Part Number	Qty	Note
F	TRIM PACKER	FK94	EA	2
F	STRUT TOP HAT KIT	OMETH009		4
F	FRONT AXLE UPGRADE LABEL KIT	FAUEV1630	1	5

REAR SELECTION - Estimated Lift 30-40mm

ALL MODELS		Part Number	Qty	Note
Medium Load	Spring	3106	1	
	Shock - N/Sport	60144	2	3
	Shock - N/Plus	63144		
Constant 300kg	Spring	3107	1	
	Shock - N/Sport	*60145 / 60144	2	3
	Shock - N/Plus	63144		

Comments

- 1 No top mounting bushes supplied re use OE Top Hat, Dirt Shield and Bump Stop.
- 2 Trim Packer FK94 provides 10mm lift at the wheel.
- 3 Re-use rear OE Top Damper Forged Bracket, Bushes, Dirt Shield, Bump Stops and Fasteners for the assembly of the rear shock.
- 4 Strut Top Hat Kit may be required if original equipment is worn.
- 5 Australia Only. Full OME suspension system must be fitted.
- 6 Does not suit OE Coil.

FRONT SELECTION - Estimated Lift 40mm

DIESEL ENGINE		Part Number	Qty	Notes
Nitro +	Spring	4025	1	
	Strut - N/Plus	*93020 / 93019	2	5

FIT KITS & HARDWARE

Loc	Description	Part Number	Qty	Note
F	TRIM PACKER	FK56	EA	2
F	STRUT TOP HAT KIT	OMETH006	2	3
F	UPPER STRUT BUSHES	OME3135		1

REAR SELECTION - Estimated Lift 40mm

ALL MODELS		Part Number	Qty	Note
Medium Load	Spring	3106	1	
	Shock - N/Sport	60144	2	4
	Shock - N/Plus	63144		
Constant 300kg	Spring	3107	1	
	Shock - N/Sport	*60145 / 60144	2	4
	Shock - N/Plus	63144		

Comments

- 1** No top mounting bushes supplied use OME3135. OE bushes may be re-used if in good condition.
- 2** Trim Packer FK56 provides 10mm lift at the wheel.
- 3** Strut Top Hat Kit may be required if original equipment is worn. This kit includes rubber bushing.
- 4** Re-use rear OE top damper forged bracket, bushes, dirt shield, bumpstops and fasteners for the assembly of the rear shock.
- 5** Does not suit OE Coil.

FORD

F-150 2021 On

DOMESTIC (AUS)

FRONT SELECTION

ALL MODELS		Part Number	Qty	Notes
MT64	Spring - 50mm	4047	1	
	Shock	MT64902003	2	1,2

Comments

1 No top mounting bushes supplied, re-use OE Top Hat

FIT KITS & HARDWARE

Loc	Description	Part Number	Qty	Note
F	UPPER CONTROL ARM	UCA0017	2	2
F	CAM ALIGNMENT KIT	OME670		3

2 UCA0017 - recommended for 2" lift, **Mandatory** for 2.5". Suits Alloy Steering Knuckle.

3 OME670 Cam Alingment Kit is highly recommended for easier wheel alingment

REAR SELECTION - Estimated Lift 40mm

REAR LEAF MODELS		Part Number	Qty	Notes
MT64	Spacer Block	OME669	1	4
	Shock	MT64602005L	1+1	
	Shock	MT64602005R		

4 Spacer block will acheive 40mm lift to maintain factory vehicle rake

5 Suits part number OME669

FIT KITS & HARDWARE

Loc	Description	Part Number	Qty	Note
R	U-BOLT	OMEU96	4	5

FORD

RANGER P375U To 2022

FRONT SELECTION

PETROL ENGINE			Part Number	Qty	Notes
Est Lift 2.35"	0lbs - 110lbs	Spring	3140	1	
		Strut - N/Sport	90040	2	1
	110lbs - 220lbs	Spring	3140	1	7
		Strut - N/Sport	90040	2	1
	220lbs - 330lbs	Spring	3141	1	
		Strut - N/Sport	90040	2	1
	BP-51	Strut - LH	BP5190013L	1+1	
		Strut - RH	BP5190013R		
		Fit Kit	VM80010043	1	

Comments

- 1 No top mounting bushes supplied, re-use OE Top Hat, Dirt Shield and Bump Stop.
- 2 OMESB117 suits OE Shackle.
OMESB118 Bush Kit suits OME Greasable Shackle OMEGS20.
- 3 Use OMEU81 when fitting EL120R.
Use OMEU82 when fitting EL121R.
Use OMEU83 when fitting EL128R.

FIT KITS & HARDWARE

Loc	Description	Part Number	Qty	Note
F	TRIM PACKER	FK94	EA	7

- 4 EL34XL will give approximately 1.2" extra lift or increase loading capacity at design height by approximately 600lbs.

REAR SELECTION

ALL MODELS			Part Number	Qty	Notes	
Estimated Lift 1.5"	No Load	Spring Multi leaf	EL120R	2	3	
		Shock - N/Sport	60156			
	Constant 600lbs	Spring Multi leaf	EL121R	2	3	
		Shock - N/Sport	*60157 / 60156			
	Constant 1200lbs	Spring Multi leaf	EL128R	2	3	
		Shock - N/Sport	60157			
	BP-51	Shock - LH	BP5160049L	1+1		
		Shock - RH	BP5160049R			
		Fit Kit	VM80010042	1		
	GREASABLE SHACKLE KIT			OMEGS20	1	
	GREASABLE FIXED END PIN KIT			OMEGP10		
	SPRING BUSH KIT			OMESB117	2	2
				OMESB118		
	U BOLTS			OMEU81	4	3
				OMEU82		
OMEU83						
EXTRA LEAF			EL34XL	2	4	

- 5 Trim Packer FK94 provides 0.5" lift at the wheel.
- 6 FK95 is a recommended fitment if original leaf spring fixed eye nut bolts are in poor condition. Ensure correct torque specifications are used in supplied fitting instruction.
- 7 FK94 Trim Packer required to achieve estimated lift.

FIT KITS & HARDWARE

Loc	Description	Part Number	Qty	Note
R	LEAF SPRING FRONT EYE BOLT	FK95	2	6

FORD

BRONCO LWB (4 Door) 2021 ON

FRONT SELECTION - Base, Big Bend, Outer Banks, Wildtrak

2.3L PETROL (GAS) ENGINE			Part Number	Qty	Notes
Estimated Lift 2"	0lbs - 110lbs	Spring	3198	1	1
		Strut - N/Sport	90047	2	
	110lbs - 220lbs	Spring	3198	1	1
		Strut - N/Sport	90047	2	
	220lbs - 330lbs	Spring	3199	1	1
		Strut - N/Sport	90047	2	

2.7L PETROL (GAS) ENGINE			Part Number	Qty	Notes
Estimated Lift 2"	0lbs - 110lbs	Spring	3198	1	1
		Strut - N/Sport	90047	2	
	110lbs - 220lbs	Spring	3199	1	1
		Strut - N/Sport	90047	2	
	220lbs - 330lbs	Spring	3200	1	1
		Strut - N/Sport	90047	2	

FRONT SELECTION - Black Diamond, Badlands

2.3L PETROL (GAS) ENGINE			Part Number	Qty	Notes
Estimated Lift 2"	0lbs - 110lbs	Spring	3198	1	1
		Strut - N/Sport	90047	2	
	110lbs - 220lbs	Spring	3199	1	1
		Strut - N/Sport	90047	2	
	220lbs - 330lbs	Spring	3200	1	1
		Strut - N/Sport	90047	2	

2.7L PETROL (GAS) ENGINE			Part Number	Qty	Notes
Estimated Lift 2"	0lbs - 110lbs	Spring	3199	1	1
		Strut - N/Sport	90047	2	
	110lbs - 220lbs	Spring	3199	1	1
		Strut - N/Sport	90047	2	
	220lbs - 330lbs	Spring	3200	1	1
		Strut - N/Sport	90047	2	

FIT KITS & HARDWARE

Loc	Description	Part Number	Qty	Note
F	Upper Control Arm	UCA0011		
F	Trim Packer	FK110	EA	3
F	Front Sway Bar	OMESTAB10		2

REAR SELECTION

ALL MODELS			Part Number	Qty	Note
Estimated Lift 2.15"	No Load	Spring	3204	1	1
		Strut- N/Sport	90048	2	
	Constant 330lbs	Spring	3205	1	1
		Strut- N/Sport	90048	2	
	Constant 660lbs	Spring	3206	1	1
		Strut- N/Sport	90048	2	

FIT KITS & HARDWARE

Loc	Description	Part Number	Qty	Note
R	Panhard Relocation Kit	FK109	1	4
R	Trim Packer Kit	FK111		3

Comments

- 1 No top mounting bushes supplied, re-use OE bushes. OME struts and coils must be fitted together due to spring seat design.
- 2 Fitment of OMESTAB10 is highly recommended for improved control in loaded scenarios but is not mandatory
- 3 Fitment of FK110 & FK111 for fine tuning ride heights
- 4 Fitment of Panhard Relocation Bracket is a mandatory fitment

FORD

EXPLORER 1996 TO 2001 REAR LEAF SPRING MODELS

FRONT SELECTION

PETROL & DIESEL ENGINE		Part Number	Qty	Notes
Over 110lbs	Torsion Bars	-		
	Shock - N/Charger	N16	2	

Comments

1 Raise or lower front end clearance and trim vehicle by adjusting front torsion bars. **Important:** A minimum of 2.35" of droop **must** be maintained.

REAR SELECTION - Estimated Lift 1.5"

REAR LEAF MODELS		Part Number	Qty	Notes
No Load	Spring Multi leaf	CS042R	2	2
	Shock - N/Sport	N17		

2 OE spring bushes are required to fit CS042R springs. D10XL Extra Leaf should be fitted when a constant 440lbs plus load is carried.

FIT KITS & HARDWARE

Loc	Description	Part Number	Qty	Note
R	EXTRA LEAF	D10XL	2	2
R	CENTRE BOLT			3

3 Refer to **Leaf Spring Service Parts** section for Centre Bolt selection.

FORD

F-150 2021 On

FRONT SELECTION

ALL MODELS		Part Number	Qty	Notes
MT64	Spring - 2"	4057	1	
	Shock	MT64902003	2	1,2,3

ALL MODELS		Part Number	Qty	Notes
MT64	Spring - 2.5"	4048	1	
	Shock	MT64902013	2	1,2,3
	Strut Assembly	MT64996009		7

FIT KITS & HARDWARE

Loc	Description	Part Number	Qty	Note
F	UPPER CONTROL ARM	UCA0017	2	2
F	CAM ALIGNMENT KIT	OME670		4

REAR SELECTION - Estimated Lift 1.5"

REAR LEAF MODELS		Part Number	Qty	Notes
MT64	Spacer Block	OME669	1	5
	Shock	MT64602005L	1+1	
	Shock	MT64602005R		

FIT KITS & HARDWARE

Loc	Description	Part Number	Qty	Note
R	U-BOLT	OMEU96	4	6

Comments

- 1 No top mounting bushes supplied, re-use OE Top Hat
- 2 UCA0017 - recommended for 2" lift, **Mandatory** for 2.5". Suits Alloy Steering Knuckle.
- 3 Spring pre-load should be set to max 20mm to achieve advertised lift.
- 4 OME670 Cam alignment Kit is highly recommended for easier wheel alignment
- 5 Spacer block will achieve 40mm lift to maintain factory vehicle rake
- 6 Suits part number OME669
- 7 Complete assembly, including coil spring & top hat set to the highest lift setting

FORD

F250 & F350 2005 TO 2008 ALL MODELS

FRONT SELECTION - Estimated Lift 2"

V8 DIESEL: COIL SPRUNG		Part Number	Qty	Notes
0lbs - 220lbs	Spring	2768	1	
	Shock - N/Charger	N195	2	

FIT KITS & HARDWARE

Loc	Description	Part Number	Qty	Note
F	CASTER CORRECTION KIT	FK36	1	4

REAR SELECTION

ALL MODELS: LEAF SPRING		Part Number	Qty	Note	
Estimated Lift 2"	No Load	Leaf Spring	CS048R	2	
		Third Stage	TSXL01		
		Shock - N/Charger	N179		
	Constant 1300lbs +	Leaf Spring	CS048R	2	
		XL Leaf	D27XL		
		Centre Bolt	UCB10		
		Shock - N/Charger	N179		
		U BOLTS - NO OVERLOAD LEAF	OMEU68	4	1
		U BOLTS - OVERLOAD LEAF	OMEU67		
		FITTING KIT	FK31	1	3
		FK35			
	SPACER KIT	OMESK1			

Comments

1 Springs are supplied with bushes fitted. Where the OE spring has an overload leaf fitted, it must be replaced with a TSXL01 and the CS048R original centre bolt replaced by a UCB10, the original spacing block must also be re-fitted using U Bolts OMEU67.

2 To maintain 2" lift for loads over constant 1300lbs add one D27XL Extra

3 Fitment of Driveline Spacer Kit FK31 for Crew Cab or FK35 for Xtra Cab is recommended to reduce possible driveline vibration. If required, additional spacing down of the centre bearing can be achieved by using an OMESK1 Spacer Kit.

4 Fitment of a FK36 Caster Correction Kit will provide approximately 3.5 to 4.0 degrees of extra caster. It is advisable to have a Front End Alignment carried out to determine if an FK36 kit is required.

FORD

F250 & F350 1999 TO 2004 ALL MODELS

FRONT SELECTION - Estimated Lift 2"

F250 & F350 PETROL & DIESEL		Part Number	Qty	Notes
0lbs - 330lbs	Leaf Spring	CS018F	2	1,6
	Strut - N/Charger	N178	2	

FIT KITS & HARDWARE - F250

Loc	Description	Part Number	Qty	Note
F	ADJUSTABLE PANHARD ROD	APRF250	1	1
F	U BOLTS - USA MODELS	OMEU69	2+2	8
		OMEU69A		
F	U BOLTS - BRAZIL MODELS	OMEU70	2+2	
		OMEU70A		

FIT KITS & HARDWARE - F350

Loc	Description	Part Number	Qty	Note
F	ADJUSTABLE PANHARD ROD	APRF250	1	1
F	U BOLTS - USA MODELS	OMEU69	4	8

REAR SELECTION

F250 ALL MODELS		Part Number	Qty	Notes	
Estimated Lift 2"	Constant 660lbs	Leaf Spring	CS048R	2	
		Single Fitment	N179		
		Dual Fitment	N179 + N180	2+2	2
	Constant 1300lbs	Leaf Spring	CS048R		3
		XL Leaf	D27XL	2	3
		Single Fitment	N179		
	Dual Fitment	N179 + N180	2+2	2	

F350 ALL MODELS - Single Fitment		Part Number	Qty	Notes	
Estimated Lift 2"	Constant 660lbs	Leaf Spring	CS048R	5,7	
		Third Stage	TSXL01	5	
		Shock - N/Charger	N179		
	Constant 1300lbs	Leaf Spring	CS048R		3,5,7
		XL Leaf	D27XL	2	3
		Third Stage	TSXL01		5
	Shock - N/Charger	N179			

FIT KITS & HARDWARE

Loc	Description	Part Number	Qty	Notes
R	U BOLTS	OMEU68	4	7
		OMEU67		
R	FITTING KIT	FK31	1	4
		FK35		
R	STONE GUARD KIT	OME660	1	2
R	CENTRE BOLT		2	9

Comments

- 1 APRF250 Adjustable Panhard Rod **must** be fitted to allow original axle location to be restored, bushes are supplied in Rod.
- 2 For F250 Models with dual shock fitment, N179 **must** be fitted rear of the axle as it is longer than the N180. For Both F250 and F350 Models OME660 stone shields are also a recommended fitment to the rear shocks.
- 3 To help maintain 2" lift, add one D27XL Extra Leaf for every 880lbs carried over 1300lbs.
- 4 Fitment of FK31 to Crew Cab or FK35 to Extra Cab Models is recommended to reduce possible driveline vibrations
- 5 F350: As the CS048R has a different spring camber compared to the original spring, the overload leaf **must** be replaced with a TSXL01. The original spacing block **must** be refitted.
- 6 Springs are supplied with bushing.
- 7 OMEU68 Suits - F250
OMEU67 Suits - F350
- 8 USA F350 Models use 4 x OMEU69
USA F250 Models use 2 x OMEU69 &
2 x OMEU69A
Brazil F250 Models use 2 x OMEU70
2 x OMEU70A
- 9 Refer to **Leaf Spring Service Parts** section for Centre Bolt selection.

HOLDEN / ISUZU / GM

JACKAROO/ TROOPER & MONTEREY

GLOBAL

3/2001 TO 2004 SWB & LWB

FRONT SELECTION

ALL MODELS		Part Number	Qty	Notes
Bar/ Winch/ Accessories	Torsion Bars	-	1	1
	Shock - N/Sport	60031	2	
	Shock - N/Plus	63031		

Comments

1 Raise or lower front end clearance and trim vehicle by adjusting front torsion bars. **Important:** A minimum of 60mm of droop **must** be maintained.

REAR SELECTION - Estimated Lift 20mm

ALL MODELS		Part Number	Qty	Note
Medium Load	Spring	2919	1	2
	Shock - N/Sport	60074	2	
	Shock - N/Plus	63074		
Constant 100kg	Spring	2929	1	
	Shock - N/Sport	60074	2	
	Shock - N/Plus	63074		

2 Coil must be installed with progressive rate to the top.

HOLDEN / ISUZU / GM

JACKAROO/ TROOPER & MONTEREY

1992 TO 2/2001 SWB & LWB

GLOBAL

FRONT SELECTION

ALL MODELS		Part Number	Qty	Notes
Bar/ Winch/ Accessories	Torsion Bars	-	1	1
	Shock - N/Sport	60031	2	
	Shock - N/Plus	63031		

Comments

1 Raise or lower front end clearance and trim vehicle by adjusting front torsion bars. **Important:** A minimum of 60mm of droop **must** be maintained.

REAR SELECTION - Estimated Lift 25mm

ALL MODELS		Part Number	Qty	Note
Medium Load	Spring	2912	1	2
	Shock - N/Sport	60074	2	
	Shock - N/Plus	63074		
Constant 100kg	Spring	2919	1	
	Shock - N/Sport	60074	2	
	Shock - N/Plus	63074		

2 Coil must be installed with progressive rate to the top.

HOLDEN / ISUZU / GM

JACKAROO/ISUZU TROOPER 1982 TO 3/1992 ALL MODELS

GLOBAL

FRONT SELECTION

ALL MODELS		Part Number	Qty	Notes
Bar/ Winch/ Accessories	Torsion Bars	303004	1	1
	Shock - N/Sport	60031	2	6
	Shock - N/Plus	63031		

Comments

1 Raise or lower front end clearance and trim vehicle by adjusting front torsion bars.

Torsion bar 303004 suits Models from 8/88 to 3/92 only.

REAR SELECTION

OVER 50KGS - ALL MODELS		Part Number	Qty	Note	
Estimated Lift 20mm	Medium Load	Leaf Spring	CS028R	2	
		Shock - N/Sport L	60009	1+1	2,6
		Shock - N/Sport R	60032		
		Shock - N/Plus L	63009		
		Shock - N/Plus R	63032		
	Constant 200kg	Leaf Spring	CS029R	2	
		Shock - N/Sport L	60009	1+1	2
		Shock - N/Sport R	*60064 / 60032		
		Shock - N/Plus L	*63063 / 63009		
	Shock - N/Plus R	*63064 / 63032			
SPRING BUSH KIT		OMESB80	2	2	
U BOLTS		OMEU59A	4	3	
GREASABLE SHACKLE KIT		OMEGS13	1	4	

Important: A minimum of 60mm of droop **must** be maintained.

2 60009 / 60063: Suits 11/'86 To 3/'92 Models and requires OMEB11 Bush Kit to convert lower bush from 19mm to 16mm ID.

60064 / 60032 / N89⁶: Suits Models '82 to 10/'86 (no Bush Kit required).

3 Where the OE spring has four leaves OMEU59A U Bolts are required.

4 FK14 Anti Inversion Kit must be fitted if greasable shackles are not fitted.

FIT KITS & HARDWARE

Loc	Description	Part Number	Qty	Note
R	SHOCK BUSH KIT CONVERTER	OMEB11	1	
R	ANTI INVERSION KIT	FK14		4
R	EXTRA LEAF	D19XL	2	
R	CENTRE BOLT			5

5 Refer to **Leaf Spring Service Parts** section for Centre Bolt selection.

6 When remaining stock of 60031, 60032, 60064 and N89 is exhausted no further product will be available.

FRONT SELECTION

DIESEL ENGINE			Part Number	Qty	Notes
30mm	Nitro +	Spring	4001	1	
		Strut	*93046 / 93045	2	3

Comments

1 No top mounting bushes supplied, use OME3134. OE bushes may be re-used if in good condition. OME struts can only be installed with OME coils.

FIT KITS & HARDWARE

Loc	Description	Part Number	Qty	Note
F	UPPER STRUT BUSHES	OME3134		
F	STRUT TOP HAT KIT	OMETH004		

2 Strut Top Hat Kit may be required if original equipment is worn.

3 Does not suit OE Coil

REAR SELECTION

ALL MODELS			Part Number	Qty	Notes
Estimated Lift 40-50mm	Medium Load	Spring	3088	1	
		Shock - N/Sport	60130	2	
		Shock - N/Plus	63130		
	Constant 200KG	Spring	3089	1	
		Shock - N/Sport	60130	2	
		Shock - N/Plus	*63131 / 63130		
	Constant 400kg	Spring	3090	1	
		Shock - N/Plus	63131	2	

HOLDEN / ISUZU / GM

TRAILBLAZER 2017 ON

COLORADO 7 2013 TO 2016 ALL MODELS

MU-X 2013 TO 2020 ALL MODELS

GLOBAL

FRONT SELECTION

DIESEL ENGINE			Part Number	Qty	Notes
Est Lift 30mm	No Bar	Spring	3057	1	
		Strut - N/Sport	90022	2	1
	Bar Only	Spring	2883	1	
		Strut - N/Sport	90022	2	1
	Nitro +	Spring	4018	1	
		Strut - N/Plus	*93023 / 93022	2	1,5

Comments

1 No top mounting bushes supplied, use OME3134. OE bushes may be re-used if in good condition. OME struts can only be installed with OME coils.

2 Colorado 04/13 onwards, due to change in top hat OMESB3014 will be required for fitment of OME coils. Please note: Only needed for up to 2015 Models. Not required for Trailblazer 2017 On Models or Isuzu MU-X.

3 Strut Top Hat Kit may be required if original equipment is worn.

4 60130 and 60131 **cannot** be used as a shock only OE replacement on Colorado 7/Trailblazer Models. Can be used as an OE replacement for Isuzu MU-X.

5 Does not suit OE Coil

FIT KITS & HARDWARE

Loc	Description	Part Number	Qty	Note
F	TRIM PACKER - SUITS N/SPORT	OME95PF5	PR	
F	UPPER STRUT BUSHES	OME3134		1
F	COIL ISOLATOR	OMESB3014	EA	2
F	STRUT TOP HAT KIT	OMETH004		3

REAR SELECTION

MU-X			Part Number	Qty	Notes
Estimated Lift 40mm	Medium Load	Spring	3088	1	
		Shock - N/Sport	60130		
		Shock - N/Plus	63130	2	
	Constant 200KG	Spring	3089	1	
		Shock - N/Sport	60130		
		Shock - N/Plus	*63131 / 63130	2	
Constant 400kg	Spring	3090	1		
	Shock - N/Plus	63131	2		

COLORADO 7 & TRAILBLAZER			Part Number	Qty	Notes
Estimated Lift 40mm	Medium Load	Spring	3091	1	
		Shock - N/Sport	60130		
		Shock - N/Plus	63130	2	
	Constant 200KG	Spring	3092	1	
		Shock - N/Sport	60130		
		Shock - N/Plus	*63131 / 63130	2	
Constant 400kg	Spring	3093	1		
	Strut - N/Plus	63131	2		

HOLDEN / ISUZU / GM

DMAX 2021 ON ALL MODELS

GLOBAL

FRONT SELECTION

3.0 DIESEL ENGINE			Part Number	Qty	Notes
Est Lift 40mm	Nitro +	Spring	4001	1	
		Strut	*93046 / 93045	2	1,10
	BP-51	Coilover RH	BP5190014R	1	
		Coilover LH	BP5190014L		
		Fit Kit	VM80010044		

FIT KITS & HARDWARE

Loc	Description	Part Number	Qty	Note
F	UPPER STRUT BUSHES	OME3134	EA	1
F	STRUT TOP HAT KIT	OMETH004		5
F	FRONT AXLE UPGRADE KIT	FAUDM1595	1	7
F	UPPER CONTROL ARM	UCA0007	EA	9

REAR SELECTION

ALL MODELS			Part Number	Qty	Notes	
Estimated Lift 40mm	Medium Load	Spring Multi leaf	EL123R	2	6	
		Shock - N/Plus	63167			
	Constant 300kg	Spring Multi leaf	EL124R	2	6	
		Shock - N/Plus	*63168 / 63167			
	Constant 600kg	Spring Multi leaf	EL125R	2	3,6	
		Shock - N/Plus	63168			
	BP-51	Shock	BP5160050	2		
		Fit Kit	VM80010045	1		
	SPRING BUSH KIT			OMESB119	2	2
				OMESB120		
	U BOLTS			OMEU53A	4	3
				OMEU53B		
GREASABLE SHACKLE KIT			OMEGS26			
GREASABLE PIN KIT			OMEGP9	1		
HANDBRAKE RELOCATION KIT			FK66		4	

FIT KITS & HARDWARE

Loc	Description	Part Number	Qty	Notes
R	EXTRA LEAF	EL39XL	2	3
R	TRIM PACKER	ELSK05	EA	
R	EXTRA LEAF SPACER KIT	ELSK12	2	
R	CENTRE BOLT		EA	8

Comments

- 1 No top mounting bushes supplied use OME3134. OE bushes may be re-used if in good condition. OME struts can only be installed with OME coils.
- 2 OMESB119 Bush Kit suits OME Greasable Shackle, OMEGS26.
OMESB120 Bush Kit suits OE Shackle.
- 3 If fitting extra leaf to EL125R, use U Bolt OMEU53B.
- 4 Handbrake Relocation Bracket FK66 is a required fitment.
- 5 Strut Top Hat Kit may be required if original equipment is worn. Note: Remove plastic isolator from OMETH004, not required for fitment.
- 6 LS-M Ute & SX XT Cab Chassis models are fitted with heavy duty leaf springs. Lift results may vary.
- 7 Australia only. Full OME suspension system must be fitted.
- 8 Refer to **Leaf Spring Service Parts** section for Centre Bolt selection.
- 9 Does not use a ball joint cover.
- 10 Does not suit OE Coil

HOLDEN / ISUZU / GM

DMAX 2012 TO 2020 ALL MODELS

COLORADO 2012 ON ALL MODELS (EXCL SPORTCAT)

GLOBAL

FRONT SELECTION

DIESEL ENGINE			Part Number	Qty	Notes
Estimated Lift 30mm	No Bar	Spring	3057	1	
		Strut - N/Sport	90022	2	1
	Bar Only	Spring	2883	1	
		Strut - N/Sport	90022	2	1
	Nitro +	Spring	4018	1	
		Strut	*93023 / 93022	2	1,9
	BP-51	Coilover RH	BP5190009R	1	
		Coilover LH	BP5190009L		
		Fit Kit	VM80010030		

Comments

- 1 No top mounting bushes supplied use OME3134. OE bushes may be re-used if in good condition. OME struts can only be installed with OME coils.
- 2 OMESB98 Bush Kit suits OME Greasable Shackle, OMEGS14. OMESB107 Bush Kit suits OE Shackle.
- 3 If fitting extra leaf to EL110R, use U Bolt OMEU53B.
- 4 Handbrake Cable Fit Kit FK66 required for Isuzu DMAX cab chassis and LSM Models. FK87 required for Colorado 2016 On Models.
- 5 Colorado 04/13 onwards, due to change in top hat OMESB3014 will be required for fitment of OME coils. Please note: Only needed for up to 2015 Models. Not required for Colorado 2016 On Models or Isuzu DMAX.

FIT KITS & HARDWARE

Loc	Description	Part Number	Qty	Note
F	TRIM PACKER - SUITS N/SPORT	OME95PF5	EA	
F	UPPER STRUT BUSHES	OME3134		1
F	COIL ISOLATOR	OMESB3014	2	5
F	STRUT TOP HAT KIT	OMETH004		6

REAR SELECTION

ALL MODELS			Part Number	Qty	Notes	
Estimated Lift 30mm	Medium Load	Spring Multi leaf	EL108R	2		
		Shock - N/Sport	60116			
		Shock - N/Plus	63116			
	Constant 300kg	Spring Multi leaf	EL109R	2		
		Shock - N/Sport	*60117 / 60116			
		Shock - N/Plus	*63117 / 63116			
	Constant 600kg	Spring Multi leaf	EL110R	2	3	
		Shock - N/Sport	60117			
		Shock - N/Plus	63117			
	BP-51	DMAX ONLY				
		Shock RH	BP5160016	2		
		Fit Kit	VM80010031	1	7	
	BP-51	COLORADO ONLY				
		Shock LH	BP5160016	1		
		Shock RH	BP5160048			
	Fit Kit	VM80010031				
	SPRING BUSH		OMESB98	2	2	
			OMESB107			
	U BOLTS		OMEU53A	4	3,7	
			OMEU53B			
GREASABLE SHACKLE KIT		OMEGS14	1			
GREASABLE PIN KIT		OMEGP9				
HANDBRAKE CABLE FIT KIT		FK66	1	4		
		FK87				

- 6 Strut Top Hat Kit may be required if original equipment is worn.
- 7 OMEU53B is required for fitting BP-51 and VM80010031.
- 8 Refer to **Leaf Spring Service Parts** section for Centre Bolt selection.
- 9 Does not suit OE Coil

FIT KITS & HARDWARE

Loc	Description	Part Number	Qty	Notes
R	EXTRA LEAF	EL39XL	2	3,7
R	TRIM PACKER	ELSK05	EA	
R	EXTRA LEAF SPACER KIT	ELSK12	2	
R	CENTRE BOLT		EA	8

HOLDEN / ISUZU / GM

DMAX 2008 TO 2011 ALL MODELS
COLORADO RC 2008 TO 2011 ALL MODELS
RODEO RA 2003 TO 2011 ALL MODELS (NOT USA)

GLOBAL

FRONT SELECTION

PETROL & DIESEL ENGINES		Part Number	Qty	Notes
No Bar/ No Load	Torsion Bars	303012	1	1
	Shock - N/Sport	60031	2	5
	Shock - N/Plus	63031		

Comments

1 Raise or lower front end clearance and trim vehicle by adjusting front torsion bars. **Important:** A minimum of 60mm of droop **must** be maintained.

It has been found, due to vehicle manufacturing tolerances, that in some cases front shock absorbers may contact the steering arm when on full lock. Fitter should check for this and where required a small indentation should be made to the body of the shock absorber. 303012 torsion bars have a lighter rate than OE and improve ride comfort for vehicles with no front accessory weight. Due to their heavy rate, the OE torsion bars are suitable for vehicles with front accessory weight.

2 Include tray weight in constant load calculation. CS062R and CS063R can be installed to high height 4x2 Models. OME leaf does **not** fit low height 4x2 Models.

3 FK26 only needed if **not** fitting Greasable Shackle Kit.

4 Refer to **Leaf Spring Service Parts** section for Centre Bolt selection.

5 When remaining stock of N89, 60031, 60032 and 60064 is exhausted no further product will be available.

REAR SELECTION

ALL MODELS		Part Number	Qty	Note	
Estimated Lift 30-50mm	Medium Load	Leaf Spring	CS062R	1	2
		Shock - N/Charger	N89		5
		Shock - N/Sport	60032	2	5
		Shock - N/Plus	63032		
	Constant 300kg	Leaf Spring	CS063R	1	2
		Shock - N/Sport	*60064 / 60032	2	5
		Shock - N/Plus	*63064 / 63032		
	SPRING BUSH KIT		OMESB80	2	
	U BOLTS		OMEU66	4	
	GREASABLE SHACKLE KIT		OMEGB13	1	
GREASABLE FIXED END PIN KIT		OMEGP11			

FIT KITS & HARDWARE

Loc	Description	Part Number	Qty	Note
R	ANTI INVERSION KIT	FK26	1	3
R	EXTRA LEAF	D26XL	2	
R	CENTRE BOLT			4

HOLDEN / ISUZU / GM

RODEO/DMAX TO 2003 ALL MODELS

GLOBAL

FRONT SELECTION

PETROL AND DIESEL ENGINES		Part Number	Qty	Notes
Bar/ Winch/ Accessories	Torsion Bars	303004	1	1
	Shock - N/Sport	60031	2	
	Shock - N/Plus	63031		

Comments

1 Raise or lower front end clearance and trim vehicle by adjusting front torsion bars. **Important:** A minimum of 60mm of droop **must** be maintained.

REAR SELECTION

ALL MODELS		Part Number	Qty	Note	
Estimated Lift 30-50mm	Medium Load	Leaf Spring	CS028R	2	3,4
		Shock - N/Sport	60032		
		Shock - N/Plus	63032		
	Constant 400kg	Leaf Spring	CS029R	2	3,4
		Shock - N/Sport	*60064 / 60032		
		Shock - N/Plus	*63064 / 63032		
	SPRING BUSH KIT		OMESB80	2	
	U BOLTS		OMEU59A	4	2
	GREASABLE SHACKLE KIT		OMEGS13	1	3
	GREASABLE FIXED END PIN KIT		OMEGP11		

2 Vehicles with four leaf OE spring stack require U bolts OMEU59A.

3 FK14 **must** be fitted if OMEGS13 greasable shackles are not fitted.

4 Include tray weight in constant load calculation.

5 Refer to **Leaf Spring Service Parts** section for Centre Bolt selection.

FIT KITS & HARDWARE

Loc	Description	Part Number	Qty	Note
R	ANTI INVERSION KIT	FK14	1	3
R	EXTRA LEAF	D19XL	2	
R	CENTRE BOLT			5

HOLDEN / ISUZU / GM

DROVER ALL MODELS

DOMESTIC (AUS) NOT USA MANUFACTURED

FRONT SELECTION

ALL MODELS			Part Number	Qty	Notes	
Estimated Lift 40mm	No Bar	Leaf Spring	CS012FA / B	1+1		
		Shock - N/Charger	OME015	2	2	
		Strut - N/Plus	63390			
	Bar/ Winch	Leaf Spring	CS013FA / B	1+1		
		Shock - N/Charger	OME015	2	2	
		Strut - N/Plus	63390			
	Bar/ Winch	Spring	3145	1		
		Strut - N/Plus	63154			
	SPRING BUSH KIT			OMESB19	2	
	U BOLTS			OMEU61	4	
			OMEU62	1	1	
FITTING KIT			FK06			
STEERING DAMPER			OMESD30	1		

Comments

- 1 One only OMEU62 may be required on the right hand side inner, on some Models.
- 2 When remaining stock of 60032, 60064, 60154, N89 and OME015 is exhausted no further product will be available.
- 3 Refer to **Leaf Spring Service Parts** section for Centre Bolt selection.

FIT KITS & HARDWARE

Loc	Description	Part Number	Qty	Note
F	TRIM PACKER	TP05	EA	
F	EXTRA LEAF	D20XL	2	
F	CENTRE BOLT			3

REAR SELECTION

ALL MODELS			Part Number	Qty	Note	
Estimated Lift 40mm	Medium Load	Leaf Spring	CS038R	1		
		Shock - N/Charger	N89		2	
		Shock - N/Sport	60032	2	2	
		Shock - N/Plus	63032			
	Constant 400kg	Leaf Spring	CS039R	1		
		Shock - N/Sport	60064	2	2	
		Shock - N/Plus	63064			
	SPRING BUSH KIT			OMESB19	2	
	U BOLTS			OMEU61	4	

FIT KITS & HARDWARE

Loc	Description	Part Number	Qty	Note
R	TRIM PACKER	TP05	EA	
R	EXTRA LEAF	D21XL	2	
R	CENTRE BOLT			3

HOLDEN / ISUZU / GM

COLORADO / CANYON 2015 ON

FRONT SELECTION

DIESEL ENGINE			Part Number	Qty	Notes
Est Lift 1.2"	No Bar	Spring	2883	1	
		Strut - N/Sport	90037	2	1
	Bar Only	Spring	3114	1	
		Strut - N/Sport	90037	2	1
	Bar/ Winch/ Accessories	Spring	2884	1	
		Strut - N/Sport	90037	2	1

Comments

- 1 Reuse OE top hat and mounting bolts
- 2 5mm trim packer OME95PF5 is one (1) packer, maximum two (2) per side.
- 3 For leaf spring fitment it is easier to cut OE bolt than to remove the fuel tank.

PETROL/ GAS ENGINE			Part Number	Qty	Notes
Est Lift 1.2"	No Bar	Spring	3057	1	
		Strut - N/Sport	90037	2	1
	Bar Only	Spring	3058	1	
		Strut - N/Sport	90037	2	1
	Bar/ Winch/ Accessories	Spring	2869	1	
		Strut - N/Sport	90037	2	1

- 4 10mm trim packer ELSK05 is one (1) packer, maximum one (1) per side.

- 5 Refer to **Leaf Spring Service Parts** section for Centre Bolt selection.

- 6 Suits Heavy Loads

FIT KITS & HARDWARE

Loc	Description	Part Number	Qty	Note
F	TRIM PACKER - SUITS N/SPORT	OME95PF5	EA	2

REAR SELECTION

ALL MODELS			Part Number	Qty	Note	
Est Lift 1.2"	No Load	Spring	EL100R	2		
		Shock - N/Sport	N102			
	Constant 660lbs	Spring	EL101R	2	6	
		Shock - N/Sport	N102			
	U BOLTS			OMEU81	4	
	REAR SPRING BUSH KIT			OMESB116	2	
	LEAF SPRING BOLT FIT KIT			FK91	EA	3

FIT KITS & HARDWARE

Loc	Description	Part Number	Qty	Note
R	EXTRA LEAF	EL47XL	1	
R	TRIM PACKER	ELSK05	EA	4
R	CENTRE BOLT			5

GREAT WALL MOTOR

TANK 300

GLOBAL

FRONT SELECTION - Estimated Lift 30-35mm

ALL MODES		Part Number	Qty	Notes
Nitrocharger +	Spring	4005	1	
	Strut - N/Plus	93410	2	

Comments

1 FK138 is a mandatory fitment

REAR SELECTION - Estimated Lift 35mm

ALL MODELS		Part Number	Qty	Note
Medium Load	Spring	3326	1	
	Shock - N/Plus	63413	2	1
Constant 200kg	Spring	3327	1	
	Shock - N/Plus	63413	2	1

FIT KITS & HARDWARE

Loc	Description	Part Number	Qty	Note
R	REAR PIN BRACKET KIT	FK138	1	1

HUMMER

H3

GLOBAL

FRONT SELECTION - Estimated Lift 20mm

ALL MODELS		Part Number	Qty	Notes
Bar/ Winch/ Accessories	Torsion Bars	303014	1+1	1,3
	Strut - N/Sport	90001	2	

REAR SELECTION - Estimated Lift 20mm

ALL MODELS		Part Number	Qty	Note
Medium Load	Leaf Spring	CS059R	1	2
	Shock - N/Sport	60045	2	

FIT KITS & HARDWARE

Loc	Description	Part Number	Qty	Note
R	EXTRA LEAF	D36XL	2	

Comments

- 1 Raise or lower front end clearance and trim vehicle by adjusting front torsion bars. It is **important** that a minimum of 60mm droop is maintained to prevent topping out of the front shock absorbers.
- 2 Springs supplied with bushings.
- 3 When remaining stock of 303014 is exhausted no further product will be available.

HYUNDAI

TERRACAN 2001 ON

GLOBAL

FRONT <i>Estimated Lift: 10mm</i>	PETROL & DIESEL ENGINE		
	PART NUMBER	QTY	NOTES
TORSION BARS	-		
NITROCHARGER SPORT	60040	2	

REAR <i>Estimated Lift: 20mm</i>	ALL MODELS		
	PART NUMBER	QTY	NOTES
SPRING: MEDIUM LOAD	2603	1	
NITROCHARGER SPORT	60060	2	
SPRING: CONSTANT 200 KGS	2604	1	
NITROCHARGER SPORT	60060	2	

KIA

SORENTO BL TO 2009

GLOBAL

FRONT <i>Estimated Lift: 20mm</i>	ALL MODELS		
	PART NUMBER	QTY	NOTES
SPRING: NO BAR	2902	1	
NITROCHARGER STRUT	N147S+N148S	1 + 1	2, 3

REAR <i>Estimated Lift: 30mm</i>	LATE 2006 TO 2009 MODELS		
	PART NUMBER	QTY	NOTES
SPRING: MEDIUM LOAD	2622	1	
NITROCHARGER	N205	2	

REAR <i>Estimated Lift: 30mm</i>	2003 TO LATE 2006 MODELS		
	PART NUMBER	QTY	NOTES
SPRING: LIGHT LOAD	2602	1	3
NITROCHARGER	N149	2	1
SPRING: MEDIUM LOAD	2903	1	
NITROCHARGER	N149	2	1

Comments

1 OME661 Stone Guards are recommended fitment to vehicles driven on dirt roads to prevent stone damage to the shock absorbers.

2 N147S fits RHS, N148S fits LHS. No top mounting bushes supplied, re-use OE bushes.

3 When remaining stock of N148S and 2602 is exhausted no further product will be available.

LADA**NIVA****GLOBAL**

FRONT <i>Estimated Lift: 30mm</i>	ALL MODELS	
	PART NUMBER	QTY
SPRING:	2791	1
NITROCHARGER	-	
TRIM PACKER	OMELNF10	EA

REAR <i>Estimated Lift: 30mm</i>	ALL MODELS	
	PART NUMBER	QTY
SPRING: MEDIUM LOAD	2792	1
NITROCHARGER	-	

LAND ROVER

DISCOVERY 3 2005 ON ALL COIL MODELS

GLOBAL

FRONT SELECTION - Estimated Lift 50mm

PETROL & DIESEL ENGINES		Part Number	Qty	Notes
No Bar	Spring	2744	1	
	Strut - N/Sport	USE OE	-	1
Bar/ Winch	Spring	2745	1	
	Strut - N/Sport	USE OE	-	1

Comments

1 Coils are suitable to be used with original OE struts, OME will not be developing replacement struts.

REAR SELECTION - Estimated Lift 50mm

ALL MODELS		Part Number	Qty	Note
Medium Load	Spring	2746	1	
	Strut - N/Sport	USE OE	-	1
Constant 200kg	Spring	2743	1	
	Strut - N/Sport	USE OE	-	1

LAND ROVER

DISCOVERY 1999 TO 2004 ALL COIL SPRUNG MODELS

GLOBAL

FRONT SELECTION

PETROL & DIESEL ENGINES			Part Number	Qty	Notes
Est Lift 40mm	No Bar	Spring	2776	1	1
		Shock - N/Plus	63024	2	
	Bar Only	Spring	2777	1	1
		Shock - N/Plus	63024	2	
	Bar/ Winch/ Accessories	Spring	2779	1	1
		Shock - N/Plus	63024	2	

Comments

1 On 2003 Models lift will be between 25 to 35mm.

2 8mm Steel Coil Seat Packer, refer to fitting instructions supplied with packer.

Important: To prevent possible over stressing of the spring, only one packer can be fitted under each coil seat.

FIT KITS & HARDWARE

Loc	Description	Part Number	Qty	Note
F	STEERING DAMPER	OMESD02	1	
F	COIL PACKER	OMELRCP2	EA	2

REAR SELECTION

ALL MODELS			Part Number	Qty	Note
Estimated Lift 40mm	Medium Load	Spring	2781	1	
		Shock - N/Sport	60026	2	
		Shock - N/Plus	63026		
	Constant 100kg	Spring	2762	1	
		Shock - N/Plus	63025	2	
	Constant 200kg	Spring	2763	1	
Shock - N/Plus		63025	2		

FIT KITS & HARDWARE

Loc	Description	Part Number	Qty	Note
R	COIL PACKER	OMELRCP1	EA	2

LAND ROVER

DISCOVERY TO 1998 & RANGE ROVER TO 5/1995

GLOBAL

FRONT SELECTION

PETROL ENGINE			Part Number	Qty	Notes
Est Lift 40mm	No Bar	Spring	2760	1	3
		Shock - N/Plus	63037	2	
	Bar Only	Spring	2761	1	3
		Shock - N/Plus	63037	2	
	Bar/ Winch/ Accessories	Spring	2767	1	3
		Shock - N/Plus	63037	2	

DIESEL ENGINE			Part Number	Qty	Notes
Est 40mm	Bar Only	Spring	2751	1	3
		Shock - N/Plus	63037	2	
	Bar/ Winch/ Accessories	Spring	2767	1	3
		Shock - N/Plus	63037	2	

FIT KITS & HARDWARE

Loc	Description	Part Number	Qty	Note
F	STEERING DAMPER	OMESD11		
F	CASTER KIT	CALR1	1	1
F	COIL PACKER	OMELRCP1	EA	2

REAR SELECTION

ALL MODELS			Part Number	Qty	Note
Estimated Lift 40mm	Medium Load	Spring	2764	1	3
		Shock - N/Sport	60038		
		Shock - N/Plus	63038	2	4
		Shock - N/Plus HA	63146		
	Constant 100kg	Spring	2762	1	3
		Shock - N/Sport	60039		
		Shock - N/Plus	63039	2	4
		Shock - N/Plus HA	63147		
	Constant 200kg	Spring	2763	1	3
		Shock - N/Sport	60039		
		Shock - N/Plus	63039	2	4
		Shock - N/Plus HA	63147		

FIT KITS & HARDWARE

Loc	Description	Part Number	Qty	Note
R	COIL PACKER	OMELRCP1	EA	2
R	UPPER SHOCK MOUNT KIT	FK64	1	4

Comments

- 1** CALR1 : Fits pre '86 Range Rover.
 CALR2 : Fits post '86 Range Rover, all Discovery & Defender 130 Dual Cab Utility.

NB: Do not fit to automatic Range Rovers or Discovery due to possible vibration problems.

- 2** 8mm Steel Coil Seat Packer, refer to fitting instructions supplied with packer.

Important: To prevent possible over stressing of the spring, only one packer can be fitted under each coil seat.

- 3** Not suitable for Models with air suspension.

- 4** For High Articulation (HA) vehicles it is recommended to replace rear upper shock mount with FK64 and matching long shocks 60146 or 60147.

FRONT SELECTION⁶ - Estimated Lift 30-40mm

V8 PETROL ENGINE		Part Number	Qty	Notes
Bar Only	Spring	2761	1	1
	Shock - N/Plus	63037	2	
Bar/ Winch/ Accessories	Spring	2751	1	1
	Shock - N/Plus	63037	2	

3.9 ISUZU DIESEL ENGINE		Part Number	Qty	Notes
Bar Only	Spring	2766	1	1
	Shock - N/Plus	63037	2	
Bar/ Winch/ Accessories	Spring	2766	1	1
	Shock - N/Plus	63037	2	

2.5L DIESEL ENGINE		Part Number	Qty	Notes
Bar Only	Spring	2751	1	1
	Shock - N/Plus	63037	2	
Bar/ Winch/ Accessories	Spring	2767	1	1
	Shock - N/Plus	63037	2	

FIT KITS & HARDWARE

Loc	Description	Part Number	Qty	Note
F	STEERING DAMPER	OMESD32		
F	CASTER KIT	CALR1	1	1
		CALR2		
F	COIL PACKER	OMELRCP1	EA	4

REAR SELECTION

ALL MODELS		Part Number	Qty	Note	
Estimated Lift 55mm	Medium Load	Spring	2752	1 2	
		Shock - N/Sport	60038		
		Shock - N/Plus	63038	2 5,6	
		Shock - N/Plus HA	63146		
	Constant 300kg	Spring	2755	1	
		Shock - N/Sport	60039		
		Shock - N/Plus	63039	2	5,6
		Shock - N/Plus HA	63147		
	Constant 500kg	Spring	2754	1	3
		Shock - N/Sport	60039		
		Shock - N/Plus	63039	2	5,6
		Shock - N/Plus HA	63147		

FIT KITS & HARDWARE

Loc	Description	Part Number	Qty	Note
R	COIL PACKER	OMELRCP3	EA	4
R	REAR UPPER SHOCK MOUNT	FK64	1	5

Comments

1 Caution: Due to altered gearbox mounts on Models after 1998 any lift above OE ride height may cause front driveline vibration that can only be rectified by fitment of front double cardan joints.

Caster Kit will increase caster angle by 2 degrees. Check manufacturer's specifications to determine if Caster Kit is required.

CALR1 suits 38mm wide control arms. CALR2 suits 44mm wide control arms.

2 2752 coil has a softer spring than OE coil. This is to provide improved ride quality with light loads only. Expect an estimated 25mm of lift.

OE springs are designated as medium load springs.

3 Original inner helper coil, where fitted, must be re-installed with OME Coils.

4 8mm Steel Coil Seat Packer, refer to selection chart supplied with packer.

Important: To prevent possible over stressing of the spring, only one packer can be fitted under each coil seat.

5 For High Articulation (HA) vehicles it is recommended to replace rear upper shock mount with FK64 and matching long shocks 60146 or 60147.

6 When remaining stock of 60037, 60038, 60039, 60146, 60147 and N45F is exhausted no further product will be available.

LAND ROVER

DEFENDER & COUNTY 110 LONG TRAVEL

GLOBAL

FRONT SELECTION - Estimated Lift 50mm

DIESEL ENGINE		Part Number	Qty	Notes
No Bar	Spring	3062	1	1,2
	Shock - N/Plus	63018	2	2
Bar/ Winch/ Accessories	Spring	3063	1	1,2
	Shock - N/Plus	*63070 / 63018	2	2

Comments

Caution: Front driveshaft **MUST** be replaced / modified with Double Cardan Joints and checked for Uni bind with OME shocks installed at droop. FK62, FK63, FK64 are **mandatory** fitment also.

FIT KITS & HARDWARE

Loc	Description	Part Number	Qty	Note
F	STEERING DAMPER	OMESD32		
F	CASTER KIT	CALR1 CALR2	1	3
F	COIL PACKER	OMELRCP1	EA	4
F/R	BUMP SPACER KIT	FK62	1	2
F/R	SWAY BAR SPACER KIT	FK63		

1 When fitting coil springs recommended, it is **mandatory** to use 60018/60070 shock absorbers to achieve minimum down travel requirement.

2 When fitting 60018 / 60070 the following are **mandatory** requirements:

* Fit longer coils 3062-3066 for springs to remain trapped with shocks fully extended

* Fit FK62 to prevent shock damage

* Fit FK63 for front driveshaft clearance and rear extended travel

* Fit FK64 which replaces OE upper shock mount when fitting rear shocks

* Remove any inner helper coils already fitted

3 Caster Kit will increase caster angle by 2 degrees. Check manufacturer's specifications to determine if Caster Kit is required. CALR1 suits 38mm wide control arms. CALR2 suits 44mm wide control arms.

4 8mm Steel Coil Seat Packer, refer to selection chart supplied with packer.

Important: To prevent possible over stressing of the spring, only one packer can be fitted under each coil seat.

5 Important: 3064 has reduced spring rate from OE to provide improved ride quality for light loads.

OE springs are designated as medium load springs.

6 Trailing Arm Bush is an optional fit. Bush kit is offset and accommodates for the increased angle of the trailing arm due to longer travel.

REAR SELECTION

ALL MODELS		Part Number	Qty	Note
Est Lift 50mm	Medium Load	Spring	3064	1 1,2,5
		Shock - N/Plus	63018	2 2
	Constant 300kg	Spring	3065	1 1,2
		Shock - N/Plus	*63070 / 63018	2 2
	Constant 500kg	Spring	3066	1 1,2
		Shock - N/Plus	63070	2 2

FIT KITS & HARDWARE

Loc	Description	Part Number	Qty	Note
R	COIL PACKER	OMELRCP3	EA	4
R	REAR UPPER SHOCK MOUNT	FK64		
R	BUSH KIT T/ARM OFFSET 16MM	OMESB0068		
R	BUSH KIT T/ARM OFFSET 20MM	OMESB0069	1	6
F/R	BUMP SPACER KIT	FK62		2
F/R	SWAY BAR SPACER KIT	FK63		

LAND ROVER

DEFENDER & COUNTY 110 BP-51 LONG TRAVEL

GLOBAL

FRONT SELECTION

2.5L DIESEL ENGINE			Part Number	Qty	Notes
Est Lift 50mm	No Bar	Spring	3062	1	1
		BP-51 Shock	BP5160035	2	2
		BP-51 Fit Kit	VM80010036	1	
	Bar/ Winch/ Accessories	Spring	3063	1	1
		BP-51 Shock	BP5160045	2	2
		BP-51 Fit Kit	VM80010036	1	

Comments

Caution: Front driveshaft **MUST** be replaced / modified with Double Cardan Joints and checked for Uni bind with BP-51 shocks installed at droop.

1 When fitting coil springs it is **mandatory** to use BP-51 shock absorbers to achieve minimum down travel requirement.

2 When fitting BP-51 shock absorbers the following are **mandatory** requirements:

* Fit longer coils 3062-3066 for springs to remain trapped with shocks fully extended

* Remove any inner helper coils already fitted

3 Caster Kit will increase caster angle by 2 degrees. Check manufacturer's specifications to determine if Caster Kit is required. CALR1 suits 38mm wide control arms. CALR2 suits 44mm wide control arms.

4 8mm Steel Coil Seat Packer, refer to selection chart supplied with packer.

Important: To prevent possible over stressing of the spring, only one packer can be fitted under each coil seat.

5 Important: 3064 has reduced spring rate from OE to provide improved ride quality for light loads.

OE springs are designated as medium load springs.

6 Trailing Arm Bush is an optional fit. Bush kit is offset and accommodates for the increased angle of the trailing arm due to longer travel.

FIT KITS & HARDWARE

Loc	Description	Part Number	Qty	Note
F	STEERING DAMPER	OMESD32		
F	CASTER KIT	CALR1	1	3
		CALR2		
F	COIL PACKER	OMELRCP1	EA	4

REAR SELECTION

ALL MODELS			Part Number	Qty	Note
Estimated Lift 50mm	Medium Load	Spring	3064	1	1,2,5
		BP-51 Shock	BP5160036	2	2
		BP-51 Fit Kit	VM80010037	1	
	Constant 300kg	Spring	3065	1	1,2
		BP-51 Shock	BP5160036	2	2
		BP-51 Fit Kit	VM80010037	1	
	Constant 500kg	Spring	3066	1	1,2
		BP-51 Shock	BP5160036	2	2
		BP-51 Fit Kit	VM80010037	1	

FIT KITS & HARDWARE

Loc	Description	Part Number	Qty	Note
R	COIL PACKER	OMELRCP3	EA	4
R	BUSH KIT T/ARM OFFSET 16MM	OMESB0068		
R	BUSH KIT T/ARM OFFSET 20MM	OMESB0069	1	6

FRONT SELECTION - Estimated lift 20mm

DIESEL ENGINE		Part Number	Qty	Notes
Bar Only	Spring	2751	1	
	Shock - N/Plus	63037	2	
Bar/ Winch/ Accessories	Spring	2767	1	
	Shock - N/Plus	63037	2	

Comments

1 Caution: Due to altered gearbox mounts on Models after 1998 any lift above OE ride height will cause front driveline vibration that can only be rectified by fitment of front double cardan joints.

FIT KITS & HARDWARE

Loc	Description	Part Number	Qty	Note
F	STEERING DAMPER	OMESD32		
F	CASTER KIT	CALR1	1	1
		CALR2		
F	COIL PACKER	OMELRCP1	EA	3

Caster Kit will increase caster angle by 2 degrees. Check manufacturer's specifications to determine if Caster Kit is required. CALR1 suits 38mm wide control arms. CALR2 suits 44mm wide control arms.

REAR SELECTION

ALL MODELS		Part Number	Qty	Note
Estimated Lift 40mm	Medium Load	Spring	2755	1 2
		Shock - N/Sport	60039	
		Shock - N/Plus	63039	2 5
		Shock - N/Plus HA	63147	
	Constant 300kg	Spring	2754	1 4
		Shock - N/Sport	60039	
		Shock - N/Plus	63039	2 5
		Shock - N/Plus HA	63147	
	Constant 500kg	Spring	2754	1 3
		Shock - N/Sport	60039	
		Shock - N/Plus	63039	2 5
		Shock - N/Plus HA	63147	

2 Important: 2755 has reduced spring rate from OE to provide improved ride quality for light loads. Expect an estimated 25mm of lift. Original inner helper coil, where fitted, **must** be re-installed with OME Coils.

3 8mm Steel Coil Seat Packer, refer to selection chart supplied with packer.

Important: To prevent possible overstressing of the spring, only one packer can be fitted under each coil seat.

4 Original inner helper coil, where fitted, must be re-installed with OME Coils.

5 For High Articulation (HA) vehicles it is recommended to replace rear upper shock mount with FK64 and matching long shocks 60147.

FIT KITS & HARDWARE

Loc	Description	Part Number	Qty	Note
R	COIL PACKER	OMELRCP3	EA	3
R	REAR UPPER SHOCK MOUNT	FK64	1	5

LAND ROVER

90 SERIES

GLOBAL

FRONT SELECTION - Estimated Lift 30mm

PETROL ENGINE		Part Number	Qty	Notes
Bar Only	Spring	2761	1	1
	Shock - N/Plus	63037	2	
Bar/ Winch/ Accessories	Spring	2751	1	1
	Shock - N/Plus	63037	2	

DIESEL ENGINE		Part Number	Qty	Notes
Bar Only	Spring	2751	1	1
	Shock - N/Plus	63037	2	
Bar/ Winch/ Accessories	Spring	2767	1	1
	Shock - N/Plus	63037	2	

FIT KITS & HARDWARE

Loc	Description	Part Number	Qty	Note
F	STEERING DAMPER	OMESD32		
F	CASTER KIT	CALR1	1	2
F		CALR2		

REAR SELECTION

ALL MODELS		Part Number	Qty	Note
Est Lift 45-55mm	Medium Load	Spring	2764	1 1
		Shock - N/Sport	60038	
		Shock - N/Plus	63038	2 2,3
		Shock - N/Plus HA	63146	
	Constant 200kg	Spring	2762	1 1
		Shock - N/Sport	60039	
		Shock - N/Plus	63039	2 2,3
	Shock - N/Plus HA	63147		

FIT KITS & HARDWARE

Loc	Description	Part Number	Qty	Note
R	REAR UPPER SHOCK MOUNT	FK64	1	3

Comments

- 1 Caution:** Due to altered gearbox mounts on Models after 1998 any lift above OE ride height will cause front driveline vibration that can only be rectified by fitment of front Double Cardan joints.
- 2** Caster Kit will increase caster angle by 2 degrees. Check manufacturer's specifications to determine if Caster Kit is required. CALR1 suits 38mm wide control arms. CALR2 suits 44mm wide control arms.
- 3** For high articulation vehicles it is recommended to replace rear upper shock mount with FK64 and matching long shocks 60146 or 60147.

MAZDA

BT-50 2021 ON ALL MODELS

GLOBAL

FRONT SELECTION^o

3.0 DIESEL ENGINE		Part Number	Qty	Notes
Nitro +	Spring	4001	1	
	Strut	*93046 / 93045	2	1,10
BP-51	Coilover LH	BP5190014L	1	
	Coilover RH	BP5190014R		
	Fit Kit	VM80010044		

Comments

1 No top mounting bushes supplied use OME3134. OE bushes may be re-used if in good condition. OME struts can only be installed with OME coils.

2 OMESB119 Bush Kit suits OME Greasable Shackle, OMEGS26. OMESB120 Bush Kit suits OE Shackle.

3 If fitting extra leaf to EL125R, use U Bolt OMEU53B.

4 Handbrake Cable Fit Kit FK66 is required fitment.

5 Strut Top Hat Kit may be required if original equipment is worn.

6 LS-M Ute & SX XT Cab Chassis models are fitted with heavy duty leaf springs. Lift results may vary.

7 Australia Only. Full OME suspension system must be fitted.

8 Refer to **Leaf Spring Service Parts** section for Centre Bolt selection.

9 Does not use a ball joint cover.

10 Does not suit OE Coil.

FIT KITS & HARDWARE

Loc	Description	Part Number	Qty	Note
F	UPPER STRUT BUSHES	OME3134		1
F	STRUT TOP HAT KIT	OMETH004		5
F	FRONT AXLE UPGRADE LABEL KIT	FAUBT1595		7
F	UPPER CONTROL ARM	UCA0007		9

REAR SELECTION

ALL MODELS		Part Number	Qty	Notes	
Estimated Lift 40mm	Medium Load	Spring Multi leaf	EL123R	2	
		Shock - N/Plus	63167		
	Constant 300kg	Spring Multi leaf	EL124R	2	
		Shock - N/Plus	*63168 / 63167		
	Constant 600kg	Spring Multi leaf	EL125R	2	3
		Shock - N/Plus	63168		
	BP-51	Shock Rear	BP5160050	2	
		Fit Kit	VM80010045	1	
		SPRING BUSH KIT	OMESB119	2	2
			OMESB120		
	U BOLTS	OMEU53A	4	3	
		OMEU53B			
	GREASABLE SHACKLE KIT	OMEGS26			
	GREASABLE PIN KIT	OMEGP9	1		
	HANBRAKE RELOCATION KIT	FK66		4	

FIT KITS & HARDWARE

Loc	Description	Part Number	Qty	Note
R	EXTRA LEAF	EL39XL	2	3
R	EXTRA LEAF SPACER KIT	ELSK12		
R	TRIM PACKER	ELSK05	EA	
R	CENTRE BOLT			

FRONT SELECTION

DIESEL ENGINE			Part Number	Qty	Notes
50mm	Nitro +	Spring	4013	1	4
		Strut	*93020 / 93019	2	1,13
30mm	Nitro +	Spring	4025	1	4
		Strut	93019	2	1
30-40mm	BP-51	Coilover LH	BP5190005L	1+1	
		Coilover RH	BP5190005R		
		Fit Kit	VM80010011	1	

FIT KITS & HARDWARE

Loc	Description	Part Number	Qty	Note
F	UPPER CONTROL ARM	UCA0002	1	5
F	TRIM PACKER	FK56	EA	2
F	UPPER STRUT BUSHES	OME3135	2	1
F	STRUT TOP HAT KIT	OMETH006		3

SERVICE PARTS

Description	Part Number	Qty	Note
OME UCA Eye Bush 2pk	UCASP004	1	
OME UCA Ball Joint 1pk	UCASP005	EA	
OME UCA Boot 2pk	UCASP006	1	

Comments

1 No top mounting bushes supplied use OME3135. OE bushes may be re-used if in good condition.

2 Trim Packer FK56 provides 10mm lift at the wheel.

3 Strut Top Hat Kit may be required if original equipment is worn.

4 Important: Please refer to TSB003.

5 The OME Upper Control Arm will provide an increase between +2.5 and +3.5 degrees of caster and up to 1.5 degrees of negative camber increase (figures based off an approximate 50mm lift). Please note after fitment of Upper Control Arm a vehicle wheel alignment will be required.

6 OMESB117 suits OE Shackle & Greasable Shackle Pin Kit OMEGP10 - ¹²EL102R/¹²EL103R/EL126R/EL127R/ EL128R.

OMESB102 suits OE Shackle & Greasable Shackle Pin Kit OMEGP9 - EL049R.

OMESB118 Bush Kit suits OME Greasable Shackle OMEGS20 - ¹²EL102R/¹²EL103R/ EL126R/ EL127R/ EL128R.

OMESB103 suits OME Greasable Shackle OMEGS20 - EL049R.

7 Use OMEU66 when fitting ¹²EL102R/ EL126R.

Use OMEU66A when fitting ¹²EL103R/ EL127R/ EL128R.

Use OMEU66B when fitting EL128R with EL34XL.

8 Fitment of Driveline Spacer Kit FK57 is recommended to re-align driveline.

9 EL34XL will give approximately 30mm extra lift or increase loading capacity at design height by approximately 300kg.

10 If a TAD110 Frontier tank is installed in the vehicle, when fitting the FK57 spacer kit, the tank will need to be lowered to allow removal of the centre bearing bolts.

11 Refer to **Leaf Spring Service Parts** section for Centre Bolt selection.

12 When remaining stock of 90019, 90020, EL102R and EL103R is exhausted no further product will be available.

13 Does not suit OE Coil.

REAR SELECTION

ALL MODELS		Part Number	Qty	Notes	
Estimated Lift 40mm	Medium Load	Spring Multi leaf	EL126R	2	4,7
		Shock - N/Plus	*63101 / 63023		
	Constant 300kg	Spring Multi leaf	EL127R	2	4,7 12
		Shock - N/Sport	*60102		
		Shock - N/Plus	*63102 / 63101		
	Constant 600kg	Spring Multi leaf	EL128R	2	4,7 12
		Shock - N/Sport	60102		
		Shock - N/Plus	63102		
	BP-51	Shock - LH	BP5160027L	1+1	
		Shock - RH	BP5160027R		
		Shock - LH	*BP5160037L	1+1	
		Shock - RH	*BP5160037R		
		Fit Kit	VM80010012	1	
GREASABLE SHACKLE KIT		OMEGS20	1		
GREASABLE PIN KIT		OMEGP10 OMEGP9			
SPRING BUSH KIT		OMESB117	2	6	
		OMESB118			
		OMESB102			
		OMESB103			
U BOLTS		OMEU66	4	7	
		OMEU66A			
		OMEU66B			
DRIVELINE SPACER KIT		FK57	1	8,10	

FIT KITS & HARDWARE

Loc	Description	Part Number	Qty	Notes
R	EXTRA LEAF	EL34XL	2	9
R	EXTRA LEAF SPACER KIT	ELSK12		
R	TRIM PACKER	ELSK05	EA	11
R	CENTRE BOLT			

Comments

1 No top mounting bushes supplied use OME3135. OE bushes may be re-used if in good condition.

2 Trim Packer FK56 provides 10mm lift at the wheel.

3 Strut Top Hat Kit may be required if original equipment is worn.

4 Important: Please refer to TSB003.

5 The OME Upper Control Arm will provide an increase between +2.5 and +3.5 degrees of caster and up to 1.5 degrees of negative camber increase (figures based off an approximate 50mm lift). Please note after fitment of Upper Control Arm a vehicle wheel alignment will be required.

6 OMESB117 suits OE Shackle & Greasable Shackle Pin Kit OMEGP10 - ¹²EL102R/¹²EL103R/EL126R/EL127R/ EL128R.

OMESB102 suits OE Shackle & Greasable Shackle Pin Kit OMEGP9 - EL049R.

OMESB118 Bush Kit suits OME Greasable Shackle OMEGS20 - ¹²EL102R/¹²EL103R/ EL126R/ EL127R/ EL128R.

OMESB103 suits OME Greasable Shackle OMEGS20 - EL049R.

7 Use OMEU66 when fitting ¹²EL102R/ EL126R.

Use OMEU66A when fitting ¹²EL103R/ EL127R/ EL128R.

Use OMEU66B when fitting EL128R with EL34XL.

8 Fitment of Driveline Spacer Kit FK57 is recommended to re-align driveline.

9 EL34XL will give approximately 30mm extra lift or increase loading capacity at design height by approximately 300kg.

10 If a TAD110 Frontier tank is installed in the vehicle, when fitting the FK57 spacer kit, the tank will need to be lowered to allow removal of the centre bearing bolts.

11 Refer to Leaf Spring Service Parts section for Centre Bolt selection.

12 When remaining stock of 60023, 60101, 60102, EL102R and EL103R is exhausted no further product will be available.

MAZDA

BT-50 1 TONNE 12/2006 TO 2011 ALL MODELS

GLOBAL

FRONT SELECTION⁵ - Estimated Lift 40mm

PETROL & DIESEL ENGINES		Part Number	Qty	Notes
Bar/ Winch/ Accessories	Torsion Bars	303013	1	
	Shock - N/Sport	60022	2	1
	Shock - N/Plus	63022		1

FIT KITS & HARDWARE

Loc	Description	Part Number	Qty	Note
F	FITTING KIT	FK22	1	1

REAR SELECTION

ALL MODELS		Part Number	Qty	Note	
Estimated Lift 20mm	Medium Load	Leaf Spring	CS056R	2	2,3
		Shock - N/Plus	63023		
	Constant 200kg	Leaf Spring	EL049R	2	2,3
		Shock - N/Plus	63023		
	Constant 400kg	Leaf Spring	CS060R	2	2,3
		Shock - N/Sport	*60102		5
		Shock - N/Plus	*63102 / 63023		
		GREASABLE SHACKLE KIT	OMEGS18	1	
		GREASABLE PIN KIT	OMEGP14		
		U BOLTS	OMEU66	4	2
	OMEU66A				
	SPRING BUSH KIT	OMESB97	2		

FIT KITS & HARDWARE

Loc	Description	Part Number	Qty	Note
R	EXTRA LEAF	EL34XL	2	3
		D34XL		
R	CENTRE BOLT			3,4

Comments

1 FK22 Front Shock Absorber Upper Mount Support Bracket Kit is a **mandatory** fitment.

2 Include tray weight in constant load calculation. Use OMEU66 when fitting CS056R and EL049R. Use OMEU66A when fitting CS060R.

3 D34XL and UCB19 suits CS056R and CS060R. EL34XL suits EL049R.

4 Refer to **Leaf Spring Service Parts** section for Centre Bolt selection.

5 When remaining stock of 60023, 60102, N187 and N194 is exhausted no further product will be available.

MAZDA

B SERIES 1 TONNE 1987 TO 2006 ALL MODELS

GLOBAL

FRONT SELECTION⁴

Petrol & Diesel Engine		Part Number	Qty	Notes
Bar/ Winch/ Accessories	Torsion Bars	303005	1	
	Shock - N/Sport	60022	2	1
	Shock - N/Plus	63022		

Comments

1 FK22 Front Shock Absorber Upper Mount Support Bracket Kit is a **mandatory** fitment.

2 Include tray weight in constant load calculation.

3 Refer to **Leaf Spring Service Parts** section for Centre Bolt selection.

4 When remaining stock of 60023 and N51 is exhausted no further product will be available.

FIT KITS & HARDWARE

Loc	Description	Part Number	Qty	Note
F	FITTING KIT	FK22	1	1

REAR SELECTION

ALL MODELS		Part Number	Qty	Note	
Estimated Lift 20mm	Medium Load	Leaf Spring	CS026R	2	
		Shock - N/Plus	63023	2	
	Constant 200kg	Leaf Spring	CS027R	2	
		Shock - N/Plus	63023	2	
	U BOLTS		OMEU65	4	
	GREASABLE SHACKLE KIT		OMEGS18	1	
	SPRING BUSH KIT		OMESB82	2	

FIT KITS & HARDWARE

Loc	Description	Part Number	Qty	Note
R	EXTRA LEAF	D9XL	2	
R	CENTRE BOLT		EA	3

MERCEDES-BENZ**G-WAGON G350 BLUETECH / G55 AMG MODELS / G500 4DR****GLOBAL****FRONT SELECTION - Estimated Lift 50mm**

ALL MODELS		Part Number	Qty	Notes
No Bar	Spring	3028	1	
	Shock - N/Sport	60113	2	
Bar/ Winch	Spring	3029	1	
	Shock - N/Sport	60113	2	

REAR SELECTION - Estimated Lift 50mm

ALL MODELS		Part Number	Qty	Note
Medium Load	Spring	3030	1	
	Shock - N/Sport	60114	2	

FRONT SELECTION

DIESEL ENGINE			Part Number	Qty	Notes
Estimated Lift 20mm	No Bar	Spring	2605	1	1
		Strut - N/Sport	90008	2	3,4
		Strut - N/Plus	93008		
	Bar Only	Spring	2606	1	1
		Strut - N/Sport	90008	2	3,4
		Strut - N/Plus	93008		
	Bar/ Winch/ Accessories	Spring	3132	1	1
		Strut - N/Sport	90008	2	3,4
		Strut - N/Plus	93008		

Comments

- 1 No top mounting bushes supplied use OME3121. OE bushes may be re-used if in good condition.
- 2 Strut Top Hat Kit may be required if original equipment is worn.
- 3 Does not suit OE Coil
- 4 Please note: 93008 has a 50mm body and is grooved. These grooves are to be used for vehicle levelling by using the spring clip provided with the shock absorber. There are only 3 grooves, advice is to fit to the top groove and use the lower grooves as trim packers where required. It is important to select the right spring for the weight the vehicle will carry.

FIT KITS & HARDWARE

Loc	Description	Part Number	Qty	Note
F	UPPER STRUT BUSHES	OME3121	2	1
F	STRUT TOP HAT KIT	OMETH001		2

REAR SELECTION

ALL MODELS			Part Number	Qty	Note
Est Lift 35mm	Medium Load	Spring	2910	1	
		Shock - N/Plus	63076	2	2
	Constant 200kg	Spring	2938	1	
		Shock - N/Plus	*63075 / 63076	2	2
	Constant 400kg	Spring	2838	1	
		Shock - N/Plus	63076	2	2

FRONT SELECTION

V6 PETROL ENGINE			Part Number	Qty	Notes
Est Lift 30-40mm	No Bar	Spring	3333	1	1
		Strut - N/Plus	93006	2	4,5
	Bar Only	Spring	3335	1	1
		Strut - N/Plus	*93007 / 93006	2	4,5
	Bar/ Winch/ Accessories	Spring	3334	1	1
		Strut - N/Plus	93007	2	4,5

Comments

- 1 It is recommended that a 4 wheel alignment is carried out.
- 2 No top mounting bushes supplied use OME3101. OE bushes can be re-used if in good condition.

FRONT SELECTION

2.8 & 3.2 DIESEL ENGINES			Part Number	Qty	Notes
Est Lift 30-40mm	No Bar	Spring	3335	1	
		Strut - N/Plus	93006	2	2,4,5
	Bar Only	Spring	3334	1	
		Strut - N/Plus	*93007 / 93006	2	2,4,5
	Bar/ Winch/ Accessories	Spring	3336	1	
		Strut - N/Plus	93007	2	2,4,5

- 3 Strut Top Hat Kit may be required if original equipment is worn.

- 4 Does not suit OE Coil

- 5 Please note: 93006 & 93007 have a 50mm diameter body and are grooved. These grooves are to be used for vehicle levelling by using the spring clip provided. There are 2 grooves available, always set to the top groove and use the lower grooves to level out vehicle height where required. It is important to select the right spring for the weight the vehicle will carry.

FIT KITS & HARDWARE

Loc	Description	Part Number	Qty	Note
F	UPPER STRUT BUSHES	OME3101	2	2
F	STRUT TOP HAT KIT	OMETH007		3

REAR SELECTION

ALL MODELS			Part Number	Qty	Note
Est Lift 40-50mm	Medium Load	Spring	3110	1	1
		Shock - N/Plus	63019	2	
	Constant 200kg	Spring	3111	1	1
		Shock - N/Plus	63033	2	
	Constant 400kg	Spring	3112	1	1
		Shock - N/Plus	63033	2	

FRONT SELECTION - Estimated Lift 35mm

V6 PETROL ENGINE		Part Number	Qty	Notes
Bar Only	Spring	3335	1	
	Strut - N/Plus	93006	2	2,4,5
Bar/ Winch/ Accessories	Spring	3336	1	
	Strut - N/Plus	93007	2	2,4,5

FRONT SELECTION - Estimated Lift 35mm

2.8 & 3.2 DIESEL ENGINES		Part Number	Qty	Notes
Bar Only	Spring	3336	1	
	Strut - N/Plus	93006	2	2,4,5
Bar/ Winch/ Accessories	Spring	3337	1	
	Strut - N/Plus	93007	2	2,4,5

FIT KITS & HARDWARE

Loc	Description	Part Number	Qty	Note
F	UPPER STRUT BUSHES	OME3101	2	2
F	STRUT TOP HAT KIT	OMETH007		3

REAR SELECTION

ALL MODELS		Part Number	Qty	Note
Est Lift 40mm	Medium Load	Spring	2917	1
		Shock - N/Plus	63019	2
	Constant 200kg	Spring	2918	1
		Shock - N/Plus	63033	2
	Constant 300kg	Spring	2995	1
		Shock - N/Plus	63033	2

Comments

- 1 It is recommended that a 4 wheel alignment is carried out.
- 2 No top mounting bushes supplied use OME3101. OE bushes can be re-used if in good condition.
- 3 Strut Top Hat Kit may be required if original equipment is worn.
- 4 Does not suit OE Coil.
- 5 Please note: 93006 & 93007 have a 50mm diameter body and are grooved. These grooves are to be used for vehicle levelling by using the spring clip provided. There are 2 grooves available, always set to the top groove and use the lower grooves to level out vehicle height where required. It is important to select the right spring for the weight the vehicle will carry.

FRONT SELECTION - Estimated Lift 35mm

V6 PETROL ENGINE		Part Number	Qty	Notes
Bar Only	Spring	3335	1	
	Strut - N/Plus	93006	2	2,4,5
Bar/ Winch/ Accessories	Spring	3336	1	
	Strut - N/Plus	93007	2	2,4,5

Comments

- 1 It is recommended that a 4 wheel alignment is carried out.
- 2 No top mounting bushes supplied use OME3101. OE bushes can be re-used if in good condition.
- 3 Strut Top Hat Kit may be required if original equipment is worn.
- 4 Does not suit OE Coil.
- 5 Please note: 93006 & 93007 have a 50mm diameter body and are grooved. These grooves are to be used for vehicle levelling by using the spring clip provided. There are 2 grooves available, always set to the top groove and use the lower grooves to level out vehicle height where required. It is important to select the right spring for the weight the vehicle will carry.

FRONT SELECTION - Estimated Lift 35mm

3.2 DIESEL ENGINES		Part Number	Qty	Notes
Bar Only	Spring	3336	1	
	Strut - N/Plus	93006	2	2,4,5
Bar/ Winch/ Accessories	Spring	3337	1	
	Strut - N/Plus	93007	2	2,4,5

FIT KITS & HARDWARE

Loc	Description	Part Number	Qty	Note
F	UPPER STRUT BUSHES	OME3101	2	2
F	STRUT TOP HAT KIT	OMETH007		3

REAR SELECTION - Estimated Lift 40mm

ALL MODELS		Part Number	Qty	Note
Medium Load	Spring	2994	1	1
	Shock - N/Plus	63019	2	
Constant 200kg	Spring	2917	1	1
	Shock - N/Plus	63033		

MITSUBISHI

PAJERO / MONTERO 1991 TO 1999 - REAR LEAF SPRING MODELS

GLOBAL

FRONT SELECTION

ALL MODELS		Part Number	Qty	Notes
Bar/ Winch/ Accessories	Torsion Bars	303010	1	1
		303011		
	Shock - N/Sport	60040	2	

Comments

1 Raise or lower front end clearance and trim vehicle by adjusting front torsion bars.

REAR SELECTION - Estimated Lift 45-50mm

ALL MODELS		Part Number	Qty	Notes
Medium Load	Leaf Spring	CS022R	2	2
	Shock - N/Sport	60057		
Constant 250kg	Leaf Spring	CS023R	2	2
	Shock - N/Sport	*60036 / 60057		
SPRING BUSH KIT		OMESB38	2	2
GREASABLE SHACKLE KIT		OMEGS16	1	

Important: A minimum of 60mm of droop **must** be maintained.

303010 suits 88 To 90 V6 Models and all Models 91 To 94 - length 1278mm.

303011 suits all Models 95 To 00 - length 1308mm.

2 OMESB38 **must** be used to fit OME springs.

MITSUBISHI

PAJERO / MONTERO 1991 TO 1999 - ALL LWB REAR COIL SPRING MODELS

GLOBAL

FRONT SELECTION²

ALL MODELS		Part Number	Qty	Notes
Bar/ Winch/ Accessories	Torsion Bars	303010	1	1
		303011		
	Shock - N/Sport	60040	2	
	Shock - N/Plus	63040		

Comments

1 Raise or lower front end clearance and trim vehicle by adjusting front torsion bars.

Important: A minimum of 60mm of droop **must** be maintained.

REAR SELECTION - Estimated Lift 20mm

ALL MODELS		Part Number	Qty	Notes
Medium Load	Spring	2910	1	
	Strut - N/Sport	60041	2	
	Strut - N/Plus	63041		
Constant 200kg	Spring	2938	1	
	Strut - N/Sport	60041	2	
	Strut - N/Plus	63041		

303010 suits all Models 91 To 94 with 1278mm length.

303011 suits all Models 95 To 00 with 1308mm length.

2 When remaining stock of N18 is exhausted no further product will be available.

MITSUBISHI

PAJERO / MONTERO 1991 TO 1999 - ALL SWB REAR COIL SPRING MODELS

GLOBAL

FRONT SELECTION

ALL MODELS		Part Number	Qty	Notes
Bar/ Winch/ Accessories	Torsion Bars	-	1	1
	Shock - N/Sport	60040	2	
	Shock - N/Plus	63040		

Comments

1 Raise or lower front end clearance and trim vehicle by adjusting front torsion bars.

REAR SELECTION - Estimated Lift 20mm

ALL MODELS		Part Number	Qty	Notes
Medium Load	Spring	2911	1	
	Strut - N/Sport	60041	2	
	Strut - N/Plus	63041		

Important: A minimum of 60mm of droop **must** be maintained.

MITSUBISHI

PAJERO CHALLENGER/ MONTERO 1989 TO 1991 REAR COIL SPRING
HYUNDAI GALLOPER (USA MONTERO SPORT)

GLOBAL

FRONT SELECTION

ALL MODELS		Part Number	Qty	Notes
Bar/ Winch/ Accessories	Torsion Bars	303010	1	1
	Shock - N/Sport	60051	2	

Comments

1 Raise or lower front end clearance and trim vehicle by adjusting front torsion bars.

REAR SELECTION - Estimated Lift 20mm

ALL MODELS		Part Number	Qty	Notes
Medium Load	Spring	2910	1	
	Strut - N/Sport	60056	2	

Important: A minimum of 60mm of droop **must** be maintained.

303010 suits 88 To 90 V6 Models.

MITSUBISHI

PAJERO / MONTERO TO 1991 REAR LEAF SPRING MODELS
HYUNDAI GALLOPER

GLOBAL

FRONT SELECTION

4 CYLINDER ENGINE		Part Number	Qty	Notes
Bar/ Winch/ Accessories	Torsion Bars	303009	1	1
	Shock - N/Sport	60051	2	

Comments

1 Raise or lower front end clearance and trim vehicle by adjusting front torsion bars.

Important: A minimum of 60mm of droop **must** be maintained.

303009 suits 82 To 90 4 cylinder Models - length 1278mm.

2 OMESB8 **must** be used with CS022R and CS023R springs.

3 OMEU54 only required on SWB Models.

REAR SELECTION

ALL MODELS		Part Number	Qty	Notes	
Est Lift 45-50mm	Medium Load	Leaf Spring	CS022R	1	2
		Shock - N/Sport	60057	2	
	Constant 250kg	Leaf Spring	CS023R	1	2
		Shock - N/Sport	*60036 / 60057	2	
	SPRING BUSH KIT		OMESB8	2	2
	U BOLT		OMEU54	4	3
	GREASABLE SHACKLE KIT		OMEGS16	1	

FRONT SELECTION

V6 PETROL ENGINE			Part Number	Qty	Notes
Estimated Lift 20mm	No Bar	Spring	2611	1	
		Strut - N/Sport	90008	2	1
		Strut - N/Plus	93008		1,3,4
	Bar Only	Spring	2605	1	
		Strut - N/Sport	90008	2	1
		Strut - N/Plus	93008		1,3,4
	Bar/ Winch/ Accessories	Spring	2606	1	
		Strut - N/Sport	90008	2	1
		Strut - N/Plus	93008		1,3,4

Comments

1 No top mounting bushes supplied use OME3121. OE bushes may be re-used if in good condition.

2 Strut Top Hat Kit may be required if original equipment is worn.

3 Does not suit OE Coil.

4 Please note: 93008 has a 50mm body and is grooved. These grooves are to be used for vehicle levelling by using the spring clip provided with the shock absorber. There are only 3 grooves, advice is to fit to the top groove and use the lower grooves as trim packers where required. It is important to select the right spring for the weight the vehicle will carry.

FRONT SELECTION

DIESEL ENGINE			Part Number	Qty	Notes
Estimated Lift 20mm	No Bar	Spring	2605	1	
		Strut - N/Sport	90008	2	1
		Strut - N/Plus	93008		1,3,4
	Bar Only	Spring	2606	1	
		Strut - N/Sport	90008	2	1
		Strut - N/Plus	93008		1,3,4
	Bar/ Winch/ Accessories	Spring	3132	1	
		Strut - N/Sport	90008	2	1
		Strut - N/Plus	93008		1,3,4

FIT KITS & HARDWARE

Loc	Description	Part Number	Qty	Note
F	UPPER STRUT BUSHES	OME3121		1
F	STRUT TOP HAT KIT	OMETH001	2	2

REAR SELECTION

ALL MODELS			Part Number	Qty	Notes
Est Lift 35mm	Medium Load	Spring	2910	1	2
		Shock - N/Sport	60076	2	
		Shock - N/Plus	63076		
	Constant 300kg	Spring	2938	1	2
		Shock - N/Sport	*60075 / 60076	2	
		Shock - N/Plus	*63075 / 63076		
	Constant 600kg	Spring	2838	1	2
		Shock - N/Sport	60075	2	
		Shock - N/Plus	63075		

MITSUBISHI

CHALLENGER / MONTERO SPORT 2000 TO 2008 LWB COIL REAR MODELS

GLOBAL

FRONT SELECTION

V6 PETROL ENGINE		Part Number	Qty	Notes
Bar/ Winch/ Accessories	Torsion Bars	303011	1	1
	Shock - N/Sport	60040	2	

Comments

1 Raise or lower front end clearance and trim vehicle by adjusting front torsion bars.

REAR SELECTION - Estimated Lift 40mm

ALL MODELS		Part Number	Qty	Notes
Medium Load	Spring	2911	1	
	Strut - N/Sport	60059	2	
Constant 200kg	Spring	2910	1	
	Strut - N/Sport	60059	2	

Important: A minimum of 60mm of droop **must** be maintained.

MITSUBISHI

CHALLENGER V6/ MONTERO SPORT 1998 TO 2000 PA LWB
LEAF SPRUNG REAR

GLOBAL

FRONT SELECTION

ALL MODELS		Part Number	Qty	Notes
Bar/ Winch/ Accessories	Torsion Bars	303011	1	1
	Shock - N/Sport	60040	2	

Comments

1 Raise or lower front end clearance and trim vehicle by adjusting front torsion bars.

REAR SELECTION

ALL MODELS		Part Number	Qty	Notes	
Est Lift 25mm	Medium Load	Leaf Spring	CS040R	2	2,3
		Strut - N/Sport	60057		
	Constant 200kg	Leaf Spring	CS041R	2	2,3
		Strut - N/Sport	*60036 / 60057		
	SPRING BUSH KIT		OMESB83	2	3
	GREASABLE SHACKLE KIT		OMEGS16	1	2

Important: A minimum of 60mm of droop must be maintained.

303011 suits all Models with bar - length 1308mm.

2 OMEGS16 is a **mandatory** fitment to prevent springs from inverting.

3 OMESB83 is a **mandatory** fitment to OME springs only. The Centre Bolt on CS040R must be reversed prior to fitment. Springs can be only installed with OME Bush Kit.

FIT KITS & HARDWARE

Loc	Description	Part Number	Qty	Note
R	EXTRA LEAF	D7XL	2	
R	CENTRE BOLT			4

4 Refer to **Leaf Spring Service Parts** section for Centre Bolt selection.

FRONT SELECTION

ALL MODELS			Part Number	Qty	Notes
Estimated Lift 25mm	No Bar	Spring	3102	1	
		Strut - N/Plus	93031	2	1,8,9
	Bar Only	Spring	3103	1	
		Strut - N/Plus	93031	2	1,8,9
	Bar/ Winch	Spring	3104	1	
		Strut - N/Plus	93031	2	1,8,9
	Bar/ Winch/ Accessories	Spring	3105	1	
		Strut - N/Plus	93033	2	1,8,9

Comments

1 No top mounting bushes supplied use OME3121. OE bushes may be re-used if in good condition. No dirt shield supplied, please re-use OE.

2 Strut Top Hat Kit OMEH001 may be required if original equipment is worn.

3 Shock absorber 60140/63140 is suited for constant rear loading in excess of 800kg.

4 OMESB113 suits OE Shackle and OME Greasable Shackle, OMEGS23.

5 EL44XL will give approximately 10mm extra lift or increase loading capacity at design height by approximately 200kgs.

6 Use OMEU53B when adding an EL44XL to EL118R / EL119R
OMEU53A suits all other applications

7 Refer to **Leaf Spring Service Parts** section for Centre Bolt selection.

8 Does not suit OE Coil.

9 Please note: 93031 & 93033 have a 50mm diameter body and are grooved. These grooves are to be used for vehicle levelling by using the spring clip provided. There are 3 grooves available, always set to the top groove and use the lower grooves to level out vehicle height where required. It is important to select the right spring for the weight the vehicle will carry.

FIT KITS & HARDWARE

Loc	Description	Part Number	Qty	Note
F	UPPER STRUT BUSHES	OME3121	2	
F	STRUT TOP HAT KIT	OMETH001		2

REAR SELECTION

ALL MODELS			Part Number	Qty	Notes
Estimated Lift 20mm	Medium Load	Leaf Spring	EL117R	2	
		Shock - N/Plus	63138		
	Constant 300kg	Leaf Spring	EL118R	2	
		Shock - N/Sport	*60139		
		Shock - N/Plus	*63139 / 63138		
	Constant 600kg	Leaf Spring	EL119R	2	
		Shock - N/Sport	60139		3
		Shock - N/Plus	*63140 / 63139		
		GREASABLE SHACKLE KIT	OMEGS23	1	
		GREASABLE PIN KIT	OMEGP13		
		SPRING BUSH KIT	OMESB113	2	4
		U BOLT	OMEU53A	4	6
	OMEU53B				

FIT KITS & HARDWARE

Loc	Description	Part Number	Qty	Note
R	EXTRA LEAF	EL44XL		5,6
R	TRIM PACKER	ELSK05	2	
R	EXTRA LEAF SPACER KIT	ELSK12		
R	CENTRE BOLT		EA	7

FRONT SELECTION

DIESEL ENGINE			Part Number	Qty	Notes
Estimated Lift 10mm	No Bar	Spring	2605	1	
		Strut - N/Sport	90008	2	4
		Strut - N/Plus	93008		4,10,11
	Bar Only	Spring	2606	1	
		Strut - N/Sport	90008	2	4
		Strut - N/Plus	93008		4,10,11
	Bar/ Winch/ Accessories	Spring	3027	1	
		Strut - N/Sport	90008	2	4
		Strut - N/Plus	93008		4,10,11

Comments

- 1 OMEGS16 is a **mandatory** fitment to prevent springs from inverting.
- 2 OMESB38 is a **mandatory** fitment to OME springs only. Include tray weight in constant load calculation. Springs can **only be** installed with OME bush kit.
- 3 Reverse centre bolt to allow fitment.
- 4 No top mounting bushes supplied use OME3121. OE bushes may be re-used if in good condition.
- 5 OMEU71 is to be used with CS053R and CS054R.
- 6 OMEU76 is to be used with CS022R and CS023R.
- 7 D32XL suitable for CS053R, CS054R and CS022R.
- 8 Strut Top Hat Kit may be required if original equipment is worn.
- 9 Refer to **Leaf Spring Service Parts** section for Centre Bolt selection.
- 10 Does not suit OE Coil.

FRONT SELECTION

V6 PETROL ENGINE			Part Number	Qty	Notes
Estimated Lift 10mm	No Bar	Spring	2611	1	
		Strut - N/Sport	90008	2	4
		Strut - N/Plus	93008		4,10,11
	Bar Only	Spring	2605	1	
		Strut - N/Sport	90008	2	4
		Strut - N/Plus	93008		4,10,11
	Bar/ Winch/ Accessories	Spring	2606	1	
		Strut - N/Sport	90008	2	4
		Strut - N/Plus	93008		4,10,11

FIT KITS & HARDWARE

Loc	Description	Part Number	Qty	Note
F	UPPER STRUT BUSHES	OME3121	2	4
F	STUT TOP HAT KIT	OMETH001		8

REAR SELECTION

ALL MODELS			Part Number	Qty	Notes	
Estimated Lift 20mm	Medium Load	Leaf Spring	CS053R	2	3	
		Shock - N/Sport	60036			
		Shock - N/Plus	63036			
	Constant 300kg	Leaf Spring	CS054R	2	3	
		Shock - N/Sport	60036			
		Shock - N/Plus	63036			
	Constant 500kg	Leaf Spring	CS022R	2	3	
		Shock - N/Sport	60036			
		Shock - N/Plus	63036			
	Constant 800kg	Leaf Spring	CS023R	2	3	
		Strut - N/Sport	60036			
		Strut - N/Plus	63036			
	U BOLTS			OMEU71	4	5
				OMEU76		6
	SPRING BUSH KIT			OMESB38	2	2
	GREASABLE SHACKLE KIT			OMEGS16	1	1
	GREASABLE FIXED END PIN KIT			OMEGP12		

FIT KITS & HARDWARE

Loc	Description	Part Number	Qty	Note
R	EXTRA LEAF	D32XL	2	7
R	CENTRE BOLT			9

11 Please note: 93008 has a 50mm body and is grooved. These grooves are to be used for vehicle levelling by using the spring clip provided with the shock absorber. There are only 3 grooves, advice is to fit to the top groove and use the lower grooves as trim packers where required. It is important to select the right spring for the weight the vehicle will carry.

MITSUBISHI

TRITON / L200 MK 10/1996 TO 2006 ALL MODELS

GLOBAL

FRONT SELECTION⁴

PETROL & DIESEL MODELS		Part Number	Qty	Notes
Bar/ Winch/ Accessories	Torsion Bars	303006	1	1
	Shock - N/Sport	60040	2	

REAR SELECTION⁴

ALL MODELS		Part Number	Qty	Notes	
Estimated Lift 40mm	Medium Load	Leaf Spring	CS022R	2	2,3
		Shock - N/Sport	60050		
	Constant 200kg	Leaf Spring	CS023R	2	2,3
		Shock - N/Sport	60050		
	U BOLT		OMEU57	4	
	SPRING BUSH KIT		OMESB38	2	2
	ANTI INVERSION KIT		FK30	1	3
	GREASABLE SHACKLE KIT		OMEGB16		3
	GREASABLE FIXED END PIN KIT		OMEGP12		

Comments

1 Raise or lower front end clearance and trim vehicle by adjusting front torsion bars.

Important: A minimum of 60mm of droop **must** be maintained.

Torsion bar 303006 suits 1993 On Models with 39 splines.

2 OMESB38 is a **mandatory** fitment to OME springs only. Include tray weight in constant load calculation. Springs can be **only** installed with OME Bush Kit.

3 FK30 Anti-Inversion Kit is a **mandatory** fitment, with or without Greasable Shackle Kit.

4 When remaining stock of N18 and N30E is exhausted no further product will be available.

FRONT SELECTION

PETROL & DIESEL MODELS		Part Number	Qty	Notes
Bar/ Winch/ Accessories	Torsion Bars	303006	1	1
	Shock - N/Sport	60051	2	

Comments

1 Raise or lower front end clearance and trim vehicle by adjusting front torsion bars.

REAR SELECTION⁴

ALL MODELS		Part Number	Qty	Notes	
Est Lift: 40mm	Medium Load	Leaf Spring	CS022R	2	2,3
		Shock - N/Sport	60058		
	Constant 200kg	Leaf Spring	CS023R	2	2,3
		Shock - N/Sport	60058		
	U BOLT		OMEU57	4	
	SPRING BUSH KIT		OMESB38	2	2
	ANTI INVERSION KIT		FK30	1	3
	GREASABLE SHACKLE KIT		OMEGS16		

Important: A minimum of 60mm of droop **must** be maintained.

Torsion bar 303006 suits 1993 On Models with 39 splines.

2 OMESB38 is a mandatory fitment to OME springs only. Include tray weight in constant load calculation. Springs can be **only** installed with OME Bush Kit.

3 FK30 Anti-Inversion Kit is a **mandatory** fitment, with or without Greasable Shackle Kit.

4 When remaining stock of N30E is exhausted no further product will be available.

FRONT SELECTION

V8 PETROL ENGINE		Part Number	Qty	Notes	
Estimated Lift 20mm	No Bar	Spring	2977	1	
		Strut - N/Sport	90014	2	2
	Bar Only	Spring	2978	1	
		Strut - N/Sport	*90015 / 90014	2	2
	Bar/ Winch/ Accessories	Spring	2979	1	
		Strut - N/Sport	90015	2	2
	BP-51	Coilover LH	BP5190008L	1+1	
		Coilover RH	BP5190008R		
		Fit Kit	VM80010020	1	

Comments

- 1** It is recommended that a 4 wheel alignment is carried out.
- 2** No top mounting bushes supplied, re-use OE bushes.

REAR SELECTION

DIESEL ENGINE		Part Number	Qty	Note	
Estimated Lift 50mm	Medium Load	Spring	2986	1	1
		Shock - N/Sport	60084	2	
	Constant 200kg	Spring	2987	1	1
		Shock - N/Sport	60084	2	
	Constant 400kg	Spring	2988	1	1
		Shock - N/Sport	60084	2	
	BP-51	Shock	BP5160058	2	
		Fit Kit	VM80010021	1	

FRONT SELECTION

4.5 & 4.8 PETROL & 4.2 DIESEL		Part Number	Qty	Notes	
Estimated Lift 50mm	Bar Only	Spring	2970	1	
		Shock - N/Sport	61012	2	
		Shock - N/Plus	63012		
	Bar/ Winch/ Accessories	Spring	2971	1	
		Shock - N/Plus	63013	2	
	Bar Only 20mm	Spring	2972	1	
		Shock - N/Sport	61012	2	
		Shock - N/Plus	63012		
	BP-51	Shock	BP5160038	2	
		Fit Kit	VM80010022	1	8

Comments

- 1 Coil trim packers may be required to trim vehicles. Packers must be installed to the bottom of front coils. Not suitable for rear coils.
- 2 OMECA77B Caster Kit will increase caster angle by 2 degrees. Check manufacturer's specifications to determine if OMECA77B Caster Kit is required.
- 3 FK18: Rear Sway Bar Extension Bracket is **mandatory** fitment to prevent damage to sway bar when suspension is at full extension. FK24 suits Models with detachable sway bar.

FRONT SELECTION

2.8 DIESEL & 3.0 TURBO		Part Number	Qty	Note	
Estimated Lift 50mm	Bar Only	Spring	2973	1	
		Shock - N/Sport	61012	2	
		Shock - N/Plus	63012		
	Bar/ Winch/ Accessories	Spring	2970	1	
		Shock - N/Plus	63013	2	
	Bar Only 20mm	Spring	2974	1	
		Shock - N/Sport	61012	2	
		Shock - N/Plus	63012		
	BP-51	Shock	BP5160038	2	
		Fit Kit	VM80010022	1	8

- 4 **Special Note:** Due to limited clearance between tailshaft and chassis cross member, OME does not recommend fitment of gear box packers.
- 5 OMESD11 Steering Damper fits all Models To 1/2000. OMESD01 fits 2/2000 Models On. To verify correct fitment for individual vehicles compare OE mounts with Steering Stabilisers Specifications section.

- 6 It is highly recommended to reinforce coil towers if fitting heavy rear springs.
- 7 Fitment to vehicle with original exhaust, if larger exhaust fitted some modifications to exhaust may be required.

- 8 United Arab Emirates ONLY use BP-51 Fit Kit VM80010032.

FIT KITS & HARDWARE

Loc	Description	Part Number	Qty	Note
F	CASTER KIT	OMECA77B	1	2
F	STEERING DAMPER	OMESD11	Ea	5
		OMESD01		
F	TRIM PACKER	OMEGQPF05		1
		OMEGQPF10		

REAR SELECTION

ALL MODELS		Part Number	Qty	Notes	
Estimated Lift 50mm	Medium Load	Spring	2980	1	
		Shock - N/Plus	63014	2	
	Constant 200kg	Spring	2981	1	
		Shock - N/Plus	63015	2	
	Constant 400kg	Spring	2985	1	
		Shock - N/Plus	63015	2	
	Medium Load 30mm	Spring	2982	1	
		Shock - N/Plus	63014	2	
	BP-51	Shock	BP5160039	2	7
		Fit Kit	VM80010041	1	

FIT KITS & HARDWARE

Loc	Description	Part Number	Qty	Notes
R	SWAY BAR EXTENSION KIT	FK18	1	3
		FK24		

OFFROAD USE ONLY - NISSAN

PATROL GQ Y60 & GU Y61 ALL LWB MODELS

GLOBAL

FRONT SELECTION

ALL LWB MODELS		Part Number	Qty	Notes
Bar Only	Spring - 75mm	2412	1	
	Spring - 100mm	2413		
	Spring - 125mm	2414		
Bar/ Winch/ Accessories	Spring - 75mm	3033	1	
	Spring - 100mm	3036		
Shock 100mm	Nitrochrger Plus	63013L	2	1
BP-51 100mm	Shock	BP5160040	2	1
	Fit Kit	VM80010022	1	
		VM80010032		8

Lift increase is approximate and will depend on vehicle weights.

Modifications for off road use only.

The products listed in this selection chart are deemed by Old Man Emu to be suitable for off road use and their legality for public road use should be certified by the relevant Registration Authority. An Off Road Use Only Disclaimer must be signed by the customer.

Modifications and replacement of other associated components will be required.

FIT KITS & HARDWARE

Loc	Description	Part Number	Qty	Note
F	STEERING DAMPER	OMESD34	1	2
		OMESD36		
		OMESD11		
		OMESD01		
F	ADJ PANHARD ROD	PANR004	1	3
F	ADJ PANHARD ROD W/SPHERICAL	PANR028X		
F	PANHARD SPHERICAL BEARING	OME3098		
F	TRIM PACKER	OMEGQPF05	EA	5
		OMEGQPF10		
F	GEARBOX PACKER KIT	GQGK01	1	4

Warranty will be void if the shocks have been used in a racing application.

Comments

1 Shocks are designed around a 100mm coil - compatiability for 75mm & 125mm need to be determined by the installer with open and closed lengths checked as well as bump stop contact measurements.

2 OMESD34 Suits GQ Pre 8/1989 Models
OMESD36 Suits GQ 8/1989 On Models
OMESD11 Suits GU Pre 01/2000 Models
OMESD01 Suits GU 01/2000 On Models

3 PANR004 Suits Pre 01/00 wagon CC Models RHD Only.
PANR028X Suits 01/2000 On models not CC, RHD Only.
PANR005 Suits Pre 01/00 wagon CC Models RHD & LHD, does not suit H260 Differential.
PANR029X Suits 01/2000 On models not CC, RHD & LHD, does not suit H260 Differential.
OME3098 Suits OE & Adjustable 01/00 On

4 GQGK01 Suits GQ Models Only

5 Coil trim packers may be required to trim vehicles. Packers must be installed to the bottom of front coils only.

6 Coil Tower reinforcement is highly recommended

7 LTA3044 - Standard Length Arms
UTAA106 - 50mm on car adjustable

8 Suits United Arab Emirates only

REAR SELECTION

ALL LWB MODELS		Part Number	Qty	Notes
Medium Load	Spring - 75mm	2415	1	
	Spring - 100mm	2416		
	Spring - 125mm	2417		
Constant 200kg	Spring - 75mm	3034	1	
	Spring - 100mm	3037		
Constant 400kg	Spring - 75mm	3035	1	6
	Spring - 100mm	3038		
Shock 100mm	Nitrocharger +	63015L	2	1
BP-51 100mm	Shock	BP5160041	2	1
	Fit Kit	VM80010041	1	

FIT KITS & HARDWARE

Loc	Description	Part Number	Qty	Note
R	ADJ PANHARD ROD	PANR005	1	3
R	ADJ PANHARD ROD W/SPHERICAL	PANR029X		
R	PANHARD SPHERICAL BEARING	OME3098		
R	H/DUTY LOWER TRAILING ARMS	LTA3044		7
R	ADJ UPPER TRAILING ARMS	UTAA106		
R	TRIM PACKER	OMEGQPR05	EA	5
		OMEGQPR10		

FRONT SELECTION

2.8 & 3.0 TURBO DIESEL			Part Number	Qty	Notes
Estimated Lift 40mm	Bar Only	Spring	2974E	1	
		Shock - N/Sport	61012	2	
		Shock - N/Plus	63012		
	Bar/ Winch/ Accessories	Spring	2972E	1	
		Shock - N/Plus	63013	2	
	BP-51	Shock	BP5160038	2	
Fit Kit		VM80010022	1	7	

Comments

- 1 OMESD01 fits 2/2000 On Models.
OMESD11 fits all Models To 1/2000.
- 2 OMECA77B Caster Kit will increase caster angle by 2 degrees. Check manufacturer's specifications to determine if OMECA77B Caster Kit is required.
- 3 FK25 x 2 Oil Pan Kits **must** be installed when OMECA77B Caster Kit or GQGK02 Gear Box Packer Kit are fitted.

FIT KITS & HARDWARE

Loc	Description	Part Number	Qty	Note
F	TRIM PACKER	OMEGQPF05 OMEGQPF10	EA	
F	STEERING DAMPER	OMESD01 OMESD11	1	1
F	CASTER KIT	OMECA77B		2,3
F	OIL PAN PACKER KIT	FK25		3

- 4 FK18: Rear Sway Bar Extension Bracket is **mandatory** fitment to Models with fixed sway bar to prevent damage to sway bar when suspension is at full extension. FK24 suits Models with detachable sway bar.

REAR SELECTION

ALL MODELS			Part Number	Qty	Note
Estimated Lift 40mm	Light Load	Spring	2GQ02A	1	
		Shock - N/Plus	63014	2	
	Medium Load	Spring	2GQ02B	1	
		Shock - N/Plus	63014		
	Constant 200kg	Spring	2GQ02D	1	
		Shock - N/Plus	63015	2	
	BP-51	Shock	BP5160039	2	6
		Fit Kit	VM80010041	1	

- 5 GQGK02 Gear Box Packer Kit is designed to space down the gear box cross member from the chassis to reduce tail shaft flange angle thereby reducing driveline vibration. In some cases two (2) kits may be required.

- 6 Fitment to vehicle with original exhaust, if larger exhaust fitted some modifications to exhaust may be required.

- 7 United Arab Emirates ONLY use BP-51 Fit Kit VM80010032.

FIT KITS & HARDWARE

Loc	Description	Part Number	Qty	Note
R	SWAY BAR EXTENSION KIT	FK18 FK24	1	4
R	GEAR BOX PACKER KIT	GQGK02		3,5
R	TRIM PACKER	OMEGQPR05 OMEGQPR10	EA	

FRONT SELECTION

4.2 DIESEL ENGINE			Part Number	Qty	Notes
Estimated Lift 50mm	Bar Only	Spring	2970	1	
		Shock - N/Sport	61012	2	2
		Strut - N/Plus	63012		
	Bar/ Winch/ Accessories	Spring	2971	1	
		Strut - N/Plus	63013		
	BP-51	Shock	BP5160038	2	
		Fit Kit	VM80010022	1	5

Comments

- 1 OMECA77B Caster Kit will increase caster angle by 2 degrees. Check manufacturer's specifications to determine if OMECA77B Caster Kit is required.
- 2 Coil trim packers may be required to trim vehicle to a maximum of 15mm. Packers must be installed to the bottom on front coil.
- 3 FK18 Rear Sway Bar Extension Bracket is **mandatory** fitment to prevent damage to sway bar when suspension is at full
- 4 Fitment to vehicle with original exhaust, if larger exhaust fitted some modifications to exhaust may be required.
- 5 United Arab Emirates ONLY use BP-51 Fit Kit VM80010032.

FRONT SELECTION

3.0 DIESEL ENGINE			Part Number	Qty	Note
Estimated Lift 50mm	Bar Only	Spring	2973	1	
		Shock - N/Sport	61012	2	2
		Shock - N/Plus	63012		
	Bar/ Winch/ Accessories	Spring	2970	1	
		Shock - N/Plus	63013		
	BP-51	Shock	BP5160038	2	
		Fit Kit	VM80010022	1	5

FIT KITS & HARDWARE

Loc	Description	Part Number	Qty	Note
F	TRIM PACKER	OMEGQPF05	EA	2
		OMEGQPF10		
F	STEERING DAMPER	OMESD11	1	
F	CASTER KIT	OMECA77B		1

REAR SELECTION

ALL MODELS			Part Number	Qty	Notes
Estimated Lift 50mm	Medium Load	Spring	2983	1	
		Shock - N/Plus	63014	2	
	Constant 300kg	Spring	2984	1	
		Shock - N/Plus	63015	2	
	Constant 600kg	Spring	2985	1	
		Shock - N/Plus	63015	2	
	BP-51	Shock	BP5160039	2	4
		Fit Kit	VM80010041	1	

FIT KITS & HARDWARE

Loc	Description	Part Number	Qty	Note
R	SWAY BAR EXTENSION KIT	FK18	1	3

Note: Do not use trim packers on rear coils

FRONT SELECTION

4.2 DIESEL ENGINE			Part Number	Qty	Notes
Est Lift 50mm	Bar Only	Spring	2970	1	
		Shock - N/Sport	60055	2	
		Shock - N/Plus	63055		
	Bar/ Winch/ Accessories	Spring	2971	1	
		Shock - N/Sport	60055	2	
		Shock - N/Plus	63055		

Comments

1 Coil trim packers may be required to trim vehicle to a maximum of 15mm per coil. Packers must be installed to the bottom on front coils.

2 OMECA77B Caster Kit will increase caster angle by 2 degrees. Check manufacturer's specifications to determine if OMECA77B Caster Kit is required.

3 FK08 Anti Inversion Kit is **mandatory** fitment if greasable shackles are not fitted. Refer OME Technical & Fitting Manual.

4 For improved ride quality on vehicles carrying medium loads remove the 3rd leaf. Include tray weight in constant load calculation.

5 Refer to **Leaf Spring Service Parts** section for Centre Bolt selection.

FRONT SELECTION

3.0 DIESEL ENGINE			Part Number	Qty	Note
Est Lift 50mm	Bar Only	Spring	2973	1	
		Shock - N/Sport	60055	2	
		Shock - N/Plus	63055		
	Bar/ Winch/ Accessories	Spring	2970	1	
		Shock - N/Sport	60055	2	
		Shock - N/Plus	63055		

FIT KITS & HARDWARE

Loc	Description	Part Number	Qty	Note
F	TRIM PACKER	OMEGQPF05	EA	1
		OMEGQPF10		
F	STEERING DAMPER	OMESD11	1	
F	CASTER KIT	OMECA77B		2

REAR SELECTION

ALL MODELS			Part Number	Qty	Notes
Estimated Lift 50mm	Medium Load	Leaf Spring	CS016RA/B	1+1	3,4
		Shock - N/Sport	60054	2	
		Shock - N/Plus	63054		
	Constant 400kg	Leaf Spring	CS016RA/B	1+1	3,4
		Shock - N/Sport	60054	2	
		Shock - N/Plus	63054		
	SPRING BUSH KIT		OMESB64	2	
	GREASABLE SHACKLE KIT		OMEGS1	1	
	GREASABLE SHACKLE END PIN KIT		OMEGP2		
	U BOLT		OMEU64	4	
BRAKE PROPORTIONING BRACKET		FK78	1		

FIT KITS & HARDWARE

Loc	Description	Part Number	Qty	Note
R	ANTI INVERSION KIT	FK08	1	3
R	EXTRA LEAF	D15XL	2	
R	CENTRE BOLT			5

FRONT SELECTION

4.2 DIESEL ENGINE			Part Number	Qty	Notes
Estimated Lift: 40-50mm	Bar Only	Spring	2975	1	
		Shock - N/Sport	61012	2	
		Shock - N/Plus	63012		
	Bar/ Winch/ Accessories	Spring	2976	1	
		Shock - N/Plus	63013	2	
	Bar Only 30mm	Spring	2974	1	
		Shock - N/Sport	61012	2	
		Shock - N/Plus	63012		
	BP-51	Shock	BP5160038	2	
		Fit Kit	VM80010022	1	

Comments

- 1 Coil trim packers may be required to trim vehicle to a maximum of 15mm per coil. Packers must be installed to the top on rear coils and to the bottom on front coils.
- 2 OMECA77B Caster Kit will increase caster angle by 2 degrees. Check manufacturer's specifications to determine if OMECA77B Caster Kit is required.
- 3 Gearbox Packer Kit is designed to space down the gearbox cross member from the chassis to reduce tail shaft flange angle thereby reducing driveline vibration.
- 4 LPG conversion equated to 100-125 litre rear mounted gas tank and a 70-75 litre mid mounted auxiliary petrol tank.
- 5 OMESD36 fits 8/89 Models On. OMESD34 fits pre 8/89 Models.
- 6 Fitment to vehicle with original exhaust, if larger exhaust fitted some modifications to exhaust may be required.
- 8 Note: **Do not** use trim packers on rear coils.

FRONT SELECTION

2.8 & 3.0 DIESEL ENGINE			Part Number	Qty	Note
Estimated Lift: 50mm	Bar Only	Spring	2974	1	
		Shock - N/Sport	61012	2	
		Shock - N/Plus	63012		
	Bar/ Winch/ Accessories	Spring	2972	1	
		Shock - N/Plus	63013	2	
	BP-51	Shock	BP5160038	2	
		Fit Kit	VM80010022	1	

FIT KITS & HARDWARE

Loc	Description	Part Number	Qty	Note
F	TRIM PACKER	OMEGQPF05	EA	1
		OMEGQPF10		
F	STEERING DAMPER	OMESD36	1	5
		OMESD34		
F	CASTER KIT	OMECA77B		2

REAR SELECTION

LWB MODELS		Part Number	Qty	Notes	
Est Lift 40-50mm	Light Load	Spring	2GQ02C	1	
		Shock - N/Plus	63014	2	
	Medium Load	Spring	2GQ02AM	1	
		Shock - N/Plus	63014	2	
	Constant 200kg	Spring	2GQ02J	1	
		Shock - N/Plus	63015	2	
	BP-51	Shock	BP5160039	2	6
		Fit Kit	VM80010041	1	

Comments

1 Coil trim packers may be required to trim vehicle to a maximum of 15mm per coil. Packers must be installed to the top on rear coils and to the bottom on front coils.

2 OMECA77B Caster Kit will increase caster angle by 2 degrees. Check manufacturer's specifications to determine if OMECA77B Caster Kit is required.

3 Gearbox Packer Kit is designed to space down the gearbox cross member from the chassis to reduce tail shaft flange angle thereby reducing driveline vibration.

4 LPG conversion equated to 100-125 litre rear mounted gas tank and a 70-75 litre mid mounted auxiliary petrol tank.

5 OMESD36 fits 8/89 Models On. OMESD34 fits pre 8/89 Models.

6 Fitment to vehicle with original exhaust, if larger exhaust fitted some modifications to exhaust may be required.

8 Note: **Do not** use trim packers on rear coils.

REAR SELECTION

SWB MODELS		Part Number	Qty	Notes	
Est Lift 40-50mm	Light Load	Spring	2GQ02CM	1	
		Shock - N/Plus	63014	2	
	Medium Load	Spring	2GQ02C	1	
		Shock - N/Plus	63014	2	
	Constant 200kg	Spring	2GQ02G	1	
		Shock - N/Plus	63015	2	
	BP-51	Shock	BP5160039	2	6
		Fit Kit	VM80010041	1	

REAR SELECTION - Estimated Lift 40-50mm

LPG CONVERSIONS		Part Number	Qty	Notes
Medium Load	Spring	2GQ02LP	1	4
	Shock - N/Plus	63014	2	
BP-51	Shock	BP5160039	2	6
	Fit Kit	VM80010041	1	

FIT KITS & HARDWARE

Loc	Description	Part Number	Qty	Note
R	GEAR BOX PACKER KIT	GQGK01	1	3,8

FRONT SELECTION

4.2 DIESEL ENGINE			Part Number	Qty	Notes
Est Lift 50mm	Bar Only	Spring	2975	1	
		Shock - N/Sport	61012		
		Shock - N/Plus	63012	2	
	Bar/ Winch/ Accessories	Spring	2976	1	
		Shock - N/Plus	63013	2	
	BP-51	Shock	BP5160038	2	
Fit Kit		VM80010022	1		

Comments

1 Coil trim packers may be required to trim vehicle to a maximum of 15mm per coil. Packers **must** be installed to the top on rear coils and to the bottom on front coils.

2 OMECA77B Caster Kit will increase caster angle by 2 degrees. Check manufacturer's specifications to determine if OMECA77B Caster Kit is required.

3 Include tray weight in constant load calculation.

4 Gearbox Packer Kit is designed to space down the gearbox cross member from the chassis to reduce tail shaft flange angle thereby reducing driveline vibration.

5 Fitment to vehicle with original exhaust, if larger exhaust fitted some modifications to exhaust may be required.

FIT KITS & HARDWARE

Loc	Description	Part Number	Qty	Note
F/R	TRIM PACKER	OMEGQPF05	EA	1
		OMEGQPF10		
F	STEERING DAMPER	OMESD36	1	
F	CASTER KIT	OMECA77B		2

REAR SELECTION

ALL MODELS			Part Number	Qty	Note
Est Lift 50mm	Medium Load	Spring	2GQ02C	1	3
		Shock - N/Plus	63014	2	
	Constant 200kg	Spring	2GQ02J	1	3
		Shock - N/Plus	63015	2	
	BP-51	Shock	BP5160039	2	5
		Fit Kit	VM80010041	1	

FIT KITS & HARDWARE

Loc	Description	Part Number	Qty	Note
F/R	TRIM PACKER	OMEGQPR05	EA	1
		OMEGQPR10		
R	GEAR BOX PACKER KIT	GQGK01	1	4

FRONT SELECTION

4.2 DIESEL ENGINE			Part Number	Qty	Notes
Estimated Lift 30mm	Bar Only	Leaf Spring	CS003F	2	1
		Shock - N/Sport	60068		
Estimated Lift 30mm	Bar/ Winch/ Accessories	Leaf Spring	CS004F	2	1
		Shock - N/Sport	60068		
Estimated Lift 30mm	SPRING BUSH KIT		OMESB1	2	
	GREASABLE SHACKLE KIT		OMEGS2		
	GREASABLE SHACKLE END PIN KIT		OMEGP2	1	
	STEERING DAMPER		OMESD22		

Comments

1 CBS02 x 2 Centre Bolt Spacers required for front spring fitment.

2 FK08 Anti Inversion Kit is **mandatory** fitment if greasable shackles are not fitted. Refer OME Technical & Fitting Manual.

3 Include tray weight in constant load calculation.

4 Remove 3rd leaf for vehicles requiring 400kg constant load springs.

5 Refer to **Leaf Spring Service Parts** section for Centre Bolt selection.

6 When remaining stock of N25 is exhausted no further product will be available.

FIT KITS & HARDWARE

Loc	Description	Part Number	Qty	Note
F	CENTRE BOLT SPACER KIT	CBS02		1
F	EXTRA LEAF	D1XL	2	
F	CENTRE BOLT	UCB3		5

REAR SELECTION⁶

ALL MODELS			Part Number	Qty	Note
Estimated Lift 45mm	Constant 400kg	Leaf Spring	CS016RA/B	1+1	2,3,4
		Shock - N/Sport	60054	2	
Estimated Lift 45mm	Constant 600kg	Leaf Spring	CS016RA/B	1+1	2,3
		Shock - N/Sport	60054	2	
Estimated Lift 45mm	SPRING BUSH KIT		OMESB64	2	
	GREASABLE SHACKLE KIT		OMEGS1		
	GREASABLE FIXED END PIN KIT		OMEGP2	1	
	U BOLT		OMEU58B	4	

FIT KITS & HARDWARE

Loc	Description	Part Number	Qty	Note
R	ANTI INVERSION KIT	FK08	1	2
R	EXTRA LEAF	D15XL	2	
R	CENTRE BOLT			5

FRONT SELECTION

DIESEL ENGINE		Part Number	Qty	Notes	
Estimated Lift 30-40mm	Bar Only	Leaf Spring	CS016F	2	1
		N/Charger - Early	N19		3
	Bar/ Winch/ Accessories	Leaf Spring	CS016F	2	
		N/Charger - Early	N19		3
	SPRING BUSH KIT		OMESB3	2	
			OMESB29		
U BOLT		OMEU56	2+2	2	
		OMEU57			

Comments

1 To improve ride quality remove 3rd leaf from top of spring.

2 Front U Bolt:
OMEU56 fits to right hand side.
OMEU57 fits to left hand side.

3 When remaining stock of N19 and N89 is exhausted no further product will be available.

4 Refer to **Leaf Spring Service Parts** section for Centre Bolt selection.

FIT KITS & HARDWARE

Loc	Description	Part Number	Qty	Note
F	EXTRA LEAF	D30XL	2	
F	CENTRE BOLT			4

REAR SELECTION

ALL MODELS		Part Number	Qty	Note	
Estimated Lift 50mm	Medium Load	Leaf Spring	CS011R	2	
		Shock - N/Charger	N89		3
	Constant 200kg	Leaf Spring	CS012R	2	
		Shock - N/Charger	N89		3
	SPRING BUSH KIT		OMESB2	2	
			OMESB29		
U BOLT		OMEU58	4		

FIT KITS & HARDWARE

Loc	Description	Part Number	Qty	Note
R	EXTRA LEAF	D12XL	2	
R	CENTRE BOLT			4

FRONT SELECTION

PETROL & DIESEL ENGINE		Part Number	Qty	Notes	
Estimated Lift: 30-40mm	Bar Only	Leaf Spring	CS010FA/B	1+1	1
		N/Charger - Early	*N47 / N96		
		N/Charger - Late	N49	2	6
	Bar/ Winch/ Accessories	Leaf Spring	CS011FA/B	1+1	1
		N/Charger - Early	*N47 / N96		
		N/Charger - Late	N49	2	6
	SPRING BUSH KIT		OMESB28		
			OMESB29		
			OMESB31		
			OMESB29	2	2
U BOLT		OMEU56			
		OMEU57	4	4	
STEERING DAMPER		OMESD22	1		

Comments

1 Models with P40 4 litre engine require CS011FA / B springs. Individual vehicles fitted with A / B fitment may experience a pronounced trimming problem to right hand side. In these cases fitment of an XL leaf to the right hand side will correct problem.

2 Front Spring Bushes:
Early Model (round headlight) require OMESB28 and OMESB29.
Late Model (square headlight) require OMESB31 and OMESB29.

3 OME Bush Kits **must** be used to enable springs to be fitted.

4 Front U Bolt:
OMEU56 fits to right hand side
OMEU57 fits to left hand side

5 D11XL suitable for CS010FA / B.

6 Early Model: Round Headlight
Late Model: Square Headlight

7 Refer to **Leaf Spring Service Parts** section for Centre Bolt selection.

FIT KITS & HARDWARE

Loc	Description	Part Number	Qty	Note
F	EXTRA LEAF	D11XL		5
F	CENTRE BOLT		2	7

REAR SELECTION

ALL MODELS		Part Number	Qty	Note	
Estimated Lift 50mm	Medium Load	Leaf Spring	CS011R		
		Shock - N/Charger	N97	2	
	Constant 200kg	Leaf Spring	CS012R		
		Shock - N/Charger	N48	2	
	SPRING BUSH KIT		OMESB2		
			OMESB29	2	3
	U BOLT		OMEU58	4	

FIT KITS & HARDWARE

Loc	Description	Part Number	Qty	Note
R	EXTRA LEAF	D12XL		
R	CENTRE BOLT		2	7

FRONT SELECTION

TWIN TURBO DIESEL			Part Number	Qty	Notes
Est Lift 20mm	Nitro +	Spring	4016	1	
		Strut	93032	2	1,9
	BP-51	Strut - LH	BP5190016L	1+1	
		Strut - RH	BP5190016R		
		Fit Kit	VM80010047	1	

Comments

- 1 No top mounting bushes supplied use OME3139. OE bushes may be re-used if in good condition.
- 2 Trim packer FK84 provides approximately 10mm lift at the wheel.
- 3 Strut Top Hat Kit may be required if original equipment is worn.
- 4 Sway Bar/ Brake Fitting Kit FK85 is **required** when fitting all OME rear coil springs.
- 5 OMESB114 suits OE Shackle.
OMESB115 Bush Kits suits OME Greasable Shackle, OMEGS24.
- 6 Use OMEU59A when fitting EL092R.
Use OMEU59B when fitting EL093R and EL094R.
- 7 Fitment of Bump Spacer Kit FK83 is **required** when fitting all OME rear leaf springs.
- 8 EL43XL will give approximately 15mm extra lift or increase loading capacity at design height by approximately 300kgs.
- 9 Does not suit OE coil.

FIT KITS & HARDWARE

Loc	Description	Part Number	Qty	Note
F	UPPER CONTROL ARM	UCA0012	1	
F	UPPER STRUT BUSHES	OME3139	2	1
F	STRUT TOP HAT KIT	OMETH005		3
F	TRIM PACKER	FK84	EA	2

REAR SELECTION

COIL SPRING REAR		Part Number	Qty	Note
Estimated Lift 50mm	Medium Load	Spring	3191	1 4
		Shock - N/Plus	63136	2
	Constant 200kg	Spring	3192	1 4
		Shock - N/Plus	*63137 / 63136	2
	Constant 400kg	Spring	3193	1 4
		Shock - N/Plus	63137	2
	Constant 600kg	Spring	3194	1 4
		Shock - N/Plus	63137	2
	BP-51	Shock	BP5160056	2
		Fit Kit - Series 4	VM80010048	1
Fit Kit - Series 5		VM80010049	1	
FIT KIT - SWAY BAR / BRAKE		FK85	1	4

Comments

- 1** No top mounting bushes supplied use OME3139. OE bushes may be re-used if in good condition.
- 2** Trim packer FK84 provides approximately 10mm lift at the wheel.
- 3** Strut Top Hat Kit may be required if original equipment is worn.
- 4** Sway Bar/ Brake Fitting Kit FK85 is **required** when fitting all OME rear coil springs.
- 5** OMESB114 suits OE Shackle.
OMESB115 Bush Kits suits OME Greasable Shackle, OMEGS24.

REAR SELECTION

LEAF SPRING REAR		Part Number	Qty	Note	
Estimated Lift 50mm	Medium Load	Leaf Spring	EL092R		
		Shock - N/Sport	60134	2	
		Shock - N/Plus	63134	4	
	Constant 300kg	Leaf Spring	EL093R		
		Shock - N/Sport	*60135 / 60134	2	
		Shock - N/Plus	*63135 / 63134	4	
	Constant 600kg	Leaf Spring	EL094R		
		Shock - N/Sport	60135	2	
		Shock - N/Plus	63135	4	
	GREASABLE SHACKLE KIT		OMEGS24	1	
	SPRING BUSH KIT		OMESB114	2	5
			OMESB115		
U BOLT		OMEU59A	4	6	
		OMEU59B			
FIT KIT - BUMP SPACER		FK83	1	7	

- 6** Use OMEU59A when fitting EL092R.
Use OMEU59B when fitting EL093R and EL094R.
- 7** Fitment of Bump Spacer Kit FK83 is **required** when fitting all OME rear leaf springs.
- 8** EL43XL will give approximately 15mm extra lift or increase loading capacity at design height by approximately 300kgs.

FIT KITS & HARDWARE

Loc	Description	Part Number	Qty	Note
R	EXTRA LEAF	EL43XL	2	8

FRONT SELECTION

TWIN TURBO DIESEL			Part Number	Qty	Notes
20-30mm	Nitro +	Spring	4016	1	1,9
		Strut - N/Plus	93032	2	
	BP-51	Strut - LH	BP5190016L	1+1	
		Strut - RH	BP5190016R		
		Fit Kit	VM80010047		

FRONT SELECTION - Est Lift 20-30mm

SINGLE TURBO DIESEL			Part Number	Qty	Notes
Nitro +	Spring	4011	1	1,9	
	Strut - N/Plus	93032	2		

FIT KITS & HARDWARE

Loc	Description	Part Number	Qty	Note
F	UPPER CONTROL ARM	UCA0012	1	
F	TRIM PACKER	FK84	EA	2
F	UPPER STRUT BUSHES	OME3139	2	1
F	STRUT TOP HAT KIT	OMETH005		3
F	TRIM PACKER	FK84	EA	2

Comments

- 1 No top mounting bushes supplied use OME3139. OE bushes may be re-used if in good condition.
- 2 Trim packer FK84 provides approximately 10mm lift at the wheel.
- 3 Strut Top Hat Kit may be required if original equipment is worn.
- 4 Sway Bar/Brake Fitting Kit FK85 is **required** when fitting all OME rear coil springs.
- 5 OMESB114 suits OE Shackle.
OMESB115 Bush Kits suits OME Greasable Shackle, OMEGS24.
- 6 Use OMEU59A when fitting EL092R.
Use OMEU59B when fitting EL093R and EL094R.
- 7 Fitment of Bump Spacer Kit FK83 is **required** when fitting all OME rear leaf springs.
- 8 EL43XL will give approximately 15mm extra lift or increase loading capacity at design height by approximately 300kgs.
- 9 Does not suit OE coil.

REAR SELECTION

COIL SPRING REAR			Part Number	Qty	Notes
Estimated Lift 30mm	Medium Load	Spring	3095	1	4
		Shock - N/Plus	63136	2	
	Constant 200kg	Spring	3096	1	4
		Shock - N/Plus	*63137 / 63136	2	
	Constant 400kg	Spring	3097	1	4
		Shock - N/Plus	63137	2	
	Constant 600kg	Spring	3098	1	4
		Shock - N/Plus	63137	2	
	BP-51	Shock	BP5160056	2	
		Fit Kit	VM80010048	1	
FIT KIT - SWAY BAR / BRAKE			FK85	1	4

Comments

- 1 No top mounting bushes supplied use OME3139. OE bushes may be re-used if in good condition.
- 2 Trim packer FK84 provides approximately 10mm lift at the wheel.
- 3 Strut Top Hat Kit may be required if original equipment is worn.
- 4 Sway Bar/Brake Fitting Kit FK85 is **required** when fitting all OME rear coil springs.

REAR SELECTION

LEAF SPRING REAR			Part Number	Qty	Notes
Estimated Lift 40mm	Medium Load	Leaf Spring	EL092R		
		Shock - N/Sport	60134	2	
		Shock - N/Plus	63134		
	Constant 300kg	Leaf Spring	EL093R		
		Shock - N/Sport	*60135 / 60134	2	
		Shock - N/Plus	*63135 / 63134		
	Constant 600kg	Leaf Spring	EL094R		
		Shock - N/Sport	60135	2	
		Shock - N/Plus	63135		
	GREASABLE SHACKLE KIT			OMEGS24	1
SPRING BUSH KIT			OMESB114	2	5
			OMESB115		
U BOLT			OMEU59A	4	6
			OMEU59B		
FIT KIT - BUMP SPACER			FK83	1	7

- 5 OMESB114 suits OE Shackle.
OMESB115 Bush Kits suits OME Greasable Shackle, OMEGS24.
- 6 Use OMEU59A when fitting EL092R.
Use OMEU59B when fitting EL093R and EL094R.
- 7 Fitment of Bump Spacer Kit FK83 is **required** when fitting all OME rear leaf springs.
- 8 EL43XL will give approximately 15mm extra lift or increase loading capacity at design height by approximately 300kgs.

FIT KITS & HARDWARE

Loc	Description	Part Number	Qty	Note
R	EXTRA LEAF	EL43XL	2	8

FRONT SELECTION - Estimated Lift 20-30mm

DIESEL & V6 PETROL		Part Number	Qty	Notes
Bar Only	Spring	2607	1	
	Strut - N/Sport	90003	2	1
Bar/ Winch/ Accessories	Spring	2608	1	
	Strut - N/Sport	90003	2	1
Nitro +	Spring	4031	1	
	Strut - N/Plus	93003	2	1,7

Comments

- 1 No top mounting bushes supplied use OME3139. OE bushes may be re-used if in good condition.
- 2 Use: OMESB99 with OE Shackles. OMESB100 when installing OMEGS15.
- 3 Include tray weight in constant load calculation.
- 4 OE U bolt plate bolt holes may need to be enlarged when fitting OME U bolts.
- 5 Strut Top Hat Kit may be required if original equipment is worn.
- 6 Refer to **Leaf Spring Service Parts** section for Centre Bolt selection.
- 7 Does not suit OE coil.

FRONT SELECTION - Estimated Lift 20-30mm

V6 TURBO DIESEL		Part Number	Qty	Note
Bar Only	Spring	2608	1	
	Strut - N/Sport	90003	2	1
Bar/ Winch/ Accessories	Spring	2631	1	
	Strut - N/Sport	90003	2	1
Nitro +	Spring	4011	1	
	Strut - N/Plus	93003	2	1,7

FIT KITS & HARDWARE

Loc	Description	Part Number	Qty	Note
F	UPPER CONTROL ARM	UCA0012	1	
F	UPPER STRUT BUSHES	OME3139	2	1
F	STRUT TOP HAT KIT	OMETH005		5

REAR SELECTION

ALL MODELS		Part Number	Qty	Note	
Estimated Lift 40mm	Medium Load	Leaf Spring	CS150R	2	3
		Shock - N/Plus	63017		
	Constant 400kg	Leaf Spring	CS151R	2	3
		Shock - N/Plus	*63110 / 63017		
	SPRING BUSH KIT		OMESB99	2	2
			OMESB100		
	GREASABLE SHACKLE KIT		OMEGS15	1	
	U BOLT		OMEU53A	4	4

FIT KITS & HARDWARE

Loc	Description	Part Number	Qty	Note
R	EXTRA LEAF	D31XL	2	
R	CENTRE BOLT			6

NISSAN

NAVARA D22 10/2002 ON (AUS) / NP300 2008 TO 2014 ALL MODELS (USA)

GLOBAL

FRONT SELECTION

ALL MODELS		Part Number	Qty	Notes
No Bar	Torsion Bars	303007	1	1
	Shock - N/Sport	60034	2	2

Comments

1 Raise or lower front end clearance and trim vehicle by adjusting front torsion bars. **Important:** A minimum of 60mm of droop **must** be maintained.

REAR SELECTION

ALL MODELS		Part Number	Qty	Note	
Estimated Lift 40mm	Medium Load	Leaf Spring	CS032R	2	4
		Shock - N/Sport	60035		8
	Constant 200kg	Leaf Spring	CS031R	2	4
		Shock - N/Sport	60035		8
	SPRING BUSH KIT		OMESB91	2	6
			OMESB105		
	GREASABLE SHACKLE KIT		OMEGS21	1	
	U BOLT		OMEU63	4	
	U BOLT THREAD SPACER KIT		FK01	1	5

2 It may be necessary to slightly increase the clearance in the front wishbone to allow shock absorber to fit. Do not modify shock absorber.

3 Include tray weight in constant load calculation. For constant 400kg loads, add D18XL to CS031R.

4 CS032R has a 25mm lower cambered 2nd stage for improved ride quality, however this will cause the ride height under heavy load to be 25mm lower.

5 FK01 U Bolt Thread Spacer Kit required on all cab chassis Models.

6 OMESB91 suits OE Shackle.
OMESB105 suits OME Greasable Shackle OMEGS21.

7 Refer to **Leaf Spring Service Parts** section for Centre Bolt selection.

8 When remaining stock of N59 is exhausted no further product will be available.

FIT KITS & HARDWARE

Loc	Description	Part Number	Qty	Note
R	EXTRA LEAF	D18XL	2	3
R	CENTRE BOLT			7

FRONT SELECTION

ALL MODELS		Part Number	Qty	Notes
No Bar	Torsion Bars	303007	1	1
		303008		
	Shock - N/Sport	60021	2	2

Comments

1 Raise or lower front end clearance and trim vehicle by adjusting front torsion bars. **Important:** A minimum of 60mm of droop **must** be maintained. 303007 suits D22 and 303008 suits D21 Models.

REAR SELECTION

ALL MODELS		Part Number	Qty	Note	
Est Lift 30mm	Medium Load	Leaf Spring	2	5	
		Shock - N/Sport			60035
	Constant 200kg	Leaf Spring	2	3	
		Shock - N/Sport			60035
	SPRING BUSH KIT		OMESB81	2	
	U BOLT		OMEU63	4	

2 It may be necessary to slightly increase the clearance in the front wishbone to allow shock absorber to fit. Do not modify shock absorber.

3 For constant 400kg loads, add D18XL to CS031R. Include tray weight in constant load calculation.

4 Refer to **Leaf Spring Service Parts** section for Centre Bolt selection.

FIT KITS & HARDWARE

Loc	Description	Part Number	Qty	Note
R	EXTRA LEAF	D18XL	2	3
R	CENTRE BOLT			4

5 When remaining stock of N59 is exhausted no further product will be available.

FRONT SELECTION - Estimated Lift 20-30mm

DIESEL & V6 PETROL		Part Number	Qty	Notes
No Bar	Spring	2607	1	
	Strut - N/Sport	90003	2	1
Bar Only	Spring	2608	1	
	Strut - N/Sport	90003	2	1
Nitro +	Spring	4031	1	
	Strut - N/Plus	93003	2	1,3

Comments

- 1 A 4 wheel alignment must be carried out after fitment of OME suspension. No top mounting bushes supplied use OME3139. OE bushes may be re-used if in good condition.
- 2 Strut Top Hat Kit may be required if original equipment is worn.
- 3 Does not suit OE coil.

FRONT SELECTION - Estimated Lift 20-30mm

V6 TURBO DIESEL		Part Number	Qty	Note
No Bar	Spring	2608	1	
	Strut - N/Sport	90003	2	1
Bar Only	Spring	2631	1	
	Strut - N/Sport	90003	2	1
Nitro +	Spring	4011	1	
	Strut - N/Plus	93003	2	1,3

FIT KITS & HARDWARE

Loc	Description	Part Number	Qty	Note
F	UPPER STRUT BUSHES	OME3139	2	1
F	STRUT TOP HAT KIT	OMETH005		2

REAR SELECTION - Estimated Lift 40mm

ALL MODELS		Part Number	Qty	Note
Medium Load	Spring	2609	1	
	Shock - N/Sport	60016	2	
	Shock - N/Plus	63016		
Constant 200kg	Spring	2610	1	
	Shock - N/Sport	60016	2	
	Shock - N/Plus	63016		

NISSAN

PATHFINDER R50 1996 TO 2005 V6 MODELS

GLOBAL

FRONT SELECTION - Estimated lift 15mm

V6 MODEL		Part Number	Qty	Notes
No Bar	Spring	2921	1	
Bar Only	Spring	2923		
Bar/ Winch	Spring	2928		

Comments

1 N61: Suits Models To 1/'99. N104: Suits Models from 2/'99 On.

REAR SELECTION - Estimated Lift 20mm

ALL MODELS		Part Number	Qty	Note
Medium Load	Spring	2922	1	
	Shock - N/Charger	N61	2	1
	Shock - N/Charger	N104		1

NISSAN

PATHFINDER TO LATE 1995 ALL MODELS

GLOBAL

FRONT SELECTION

V6 MODEL		Part Number	Qty	Notes
No Bar	Torsion Bars	-	1	1
	Shock - N/Sport	60031	2	2,3
	Shock - N/Plus	63031		

Comments

1 Raise or lower front end clearance and trim vehicle by adjusting front torsion bars. **Important:** A minimum of 60mm of droop **must** be maintained.

2 It may be necessary to slightly increase the clearance in the front wishbone to allow shock absorber to fit. Do not modify shock absorber.

3 When remaining stock of N89, 60031, 60032 and 60064 is exhausted no further product will be available.

REAR SELECTION - Estimated Lift 20mm

ALL MODELS		Part Number	Qty	Note
Medium Load	Spring	2920	1	
	Shock - N/Charger	N89	2	3
	Shock - N/Sport	*60064 / 60032		
	Shock - N/Plus	*63064 / 63032		

NISSAN

TERRANO II R20 1996 TO 2005

DOMESTIC (AUS)

FRONT SELECTION

PETROL & DIESEL ENGINE		Part Number	Qty	Notes
No Bar	Torsion Bars	-	1	1
	Shock - N/Sport	60031	2	2

Comments

1 Raise or lower front end clearance and trim vehicle by adjusting front torsion bars.

REAR SELECTION - Estimated Lift 20mm

ALL MODELS		Part Number	Qty	Note
Medium Load	Spring	2920	1	
	Shock - N/Sport	60058	2	

2 It may be necessary to slightly increase the clearance in the front wishbone to allow shock absorber to fit. Do not modify shock absorber.

FRONT SELECTION

V6 PETROL ENGINE		Part Number	Qty	Notes
Estimated Lift 1"	0lbs - 110lbs	Coil Spring	2607	1
		Strut - N/Sport	90003	2 1
	110lbs - 220lbs	Coil Spring	2608	1
		Strut - N/Sport	90003	2 1
	0lbs - 220lbs	Coil Spring	4031	1
		Strut - N/Plus	93003	2 1,6

Comments

1 No top mounting bushes supplied, use OME3139. OE bushes may be re-used if in good condition.

2 OMESB99 suits factory shackles. OMESB100 suits OMEGS15 Greasable Shackle Kit.

3 FK42 is a **mandatory** fitment to space sway bar link away from shock absorber.

4 CS061R with D37XL provides approximately 2" lift over factory with no additional rear load. CS061R with D37XL provides approximately 1" lift over factory with constant 440lbs additional rear load.

5 Strut Top Hat Kit may be required if original equipment is worn.

6 Does not suit OE coil.

FIT KITS & HARDWARE

Loc	Description	Part Number	Qty	Note
F	UPPER STRUT BUSH	OME3139	2	1
F	STRUT TOP HAT KIT	OMETH005		5

REAR SELECTION

ALL MODELS		Part Number	Qty	Note
Estimated Lift 1"	No Load	Leaf Spring	CS061R	4
		Shock - N/Plus	63017	2 6
	SPRING BUSH KIT	OMESB99	2	2
		OMESB100		2
	GREASABLE SHACKLE KIT	OMEGS15	1	2
	U BOLTS	OMEU72	4	
	FITTING KIT	FK42	1	3

FIT KITS & HARDWARE

Loc	Description	Part Number	Qty	Note
R	EXTRA LEAF	D37XL	2	4

FRONT SELECTION

PETROL & DIESEL ENGINE		Part Number	Qty	Notes
No Bar	Torsion Bars	-		
	Shock - N/Sport	60031	2	

REAR SELECTION - Estimated Lift 40mm

ALL MODELS		Part Number	Qty	Note
Medium Load	Spring	2937	1	
	Shock - N/Charger	N118	2	

FRONT SELECTION - Estimated Lift 20mm

2.7, 3.2 PETROL V6 & 1.9 DIESEL		Part Number	Qty	Notes
No Bar	Spring	2623	1	
	Shock - N/Charger	N217S + N218S	1+1	1

Comments

- 1 N217S Left Hand Side.
N218S Right Hand Side.

FRONT SELECTION - Estimated Lift 20mm

2.0 PETROL 4 CYLINDER ENGINE		Part Number	Qty	Notes
No Bar	Spring	2624	1	
	Shock - N/Charger	N217S + N218S	1+1	1

REAR SELECTION - Estimated Lift 20mm

ALL MODELS		Part Number	Qty	Note
Medium Load	Spring	2625	1	
	Shock - N/Charger	OME036	2	

FRONT SELECTION - Estimated Lift 30mm

PETROL 4 & 6 CYLINDER ENGINES		Part Number	Qty	Notes
No Bar	Spring	2959	1	
	Shock - N/Charger	N103S	2	
Bar Only	Spring	2962	1	
	Shock - N/Charger	N103S	2	

Comments

1 Coil Packer OMESJR10 can be used to increase ride height.

FRONT SELECTION - Estimated Lift 30mm

DIESEL ENGINE		Part Number	Qty	Notes
No Bar	Spring	2962	1	
	Shock - N/Charger	N103S	2	
Bar Only	Spring	2962	1	1
	Shock - N/Charger	N103S	2	

FIT KITS & HARDWARE

Loc	Description	Part Number	Qty	Note
F	COIL PACKER	OMESJR10	EA	1

REAR SELECTION - Estimated Lift 30mm

ALL MODELS		Part Number	Qty	Note
Medium Load	Spring	2961	1	
	Shock - N/Charger	N105	2	

FRONT SELECTION - Estimated Lift 25-30mm

V6 PETROL ENGINE		Part Number	Qty	Notes
No Bar	Spring	2950	1	
	Strut - N/Charger	N103S	2	
Bar Only	Spring	2959	1	
	Strut - N/Charger	N103S	2	

FRONT SELECTION - Estimated Lift 30mm

4 CYLINDER PETROL ENGINE		Part Number	Qty	Notes
No Bar	Spring	2960	1	
	Strut - N/Charger	N103S	2	
Bar Only	Spring	2953	1	
	Strut - N/Charger	N103S	2	

REAR SELECTION - Estimated Lift 30mm

ALL MODELS		Part Number	Qty	Note
Light Load	Spring	2954	1	
	Shock - N/Charger	N105	2	
Medium Load	Spring	2955	1	
	Shock - N/Charger	N105	2	

FRONT SELECTION - Estimated Lift 30mm

4 CYLINDER PETROL ENGINE		Part Number	Qty	Notes
No Bar	Spring	2951	1	
	Strut - N/Charger	N103S	2	1

Comments

1 Front strut has 40mm longer travel than original equipment.

REAR SELECTION - Estimated Lift 30mm

ALL MODELS		Part Number	Qty	Note
Medium Load	Spring	2952	1	
	Shock - N/Charger	N32	2	2

2 Rear shock has 50mm longer travel than original equipment.

FRONT SELECTION

1.5L PETROL ENGINE			Part Number	Qty	Notes
Est Lift 40mm	No Bar	Spring	3189	1	
		Shock - N/Plus	63154	2	
	Bar Only	Spring	3144	1	
		Shock - N/Plus	63404	2	
	Bar/ Winch	Spring	3145	1	
		Shock - N/Plus	63404	2	

Comments

1 Fit OMECA001 to restore caster wheel alignment. Please refer to PIB No.1625 regarding radius arms inconsistencies.

2 For vehicles fitted with Headlight sensor, fitting kit FK97 is required when fitting all OME extended travel rear shocks.

3 Fit FK96 improve ride quality, not mandatory fitment.

4 Due to some variances in vehicle production FK99 is an optional but highly recommended fitment if vehicle displays light rear brake line and/or coil contact to rear shock absorber.

5 FK122 will eliminate contact between the front drive shaft and the OE cross member with lifted suspension fitted

FIT KITS & HARDWARE

Loc	Description	Part Number	Qty	Note
F	TRIM PACKER	OMESJF10	EA	
F	CASTER CORRECTION	OMECA001	1	1
F	CROSS MEMBER SUPPORT	FK122		5

REAR SELECTION - Estimated Lift 40mm

ALL MODELS		Part Number	Qty	Note
Medium Load	Spring	3146	1	
	Shock - N/Plus	63155	2	2
Constant 100kg	Spring	3322	1	
	Shock - N/Plus	63405	2	2
Constant 200kg	Spring	3323	1	
	Shock - N/Plus	63405	2	2

FIT KITS & HARDWARE

Loc	Description	Part Number	Qty	Note
R	TRIM PACKER	OMESJR10	EA	
R	PANHARD ROD EXT BKT KIT	FK96		3
R	BRAKE EXT & SHOCK MOUNT KIT	FK99	1	4
R	HEADLIGHT SENSOR KIT	FK97		

FRONT SELECTION

1.5L PETROL ENGINE			Part Number	Qty	Notes
Est Lift 40mm	No Bar	Spring	3145	1	
		Shock - N/Plus	63154	2	
	Bar Only	Spring	3145	1	
		Shock - N/Plus	63404	2	
	Bar/ Winch	Spring	3321	1	
		Shock - N/Plus	63404	2	

Comments

- 1** Fit OMECA001 to restore caster wheel alignment. Please refer to PIB No.1625 regarding radius arms inconsistencies.
- 2** For vehicles fitted with Headlight sensor, fitting kit FK97 is required when fitting all OME extended travel rear shocks.

FIT KITS & HARDWARE

Loc	Description	Part Number	Qty	Note
F	TRIM PACKER	OMESJF10	EA	
F	CASTER CORRECTION	OMECA001	1	1
F	CROSS MEMBER SUPPORT	FK122		5

- 3** Fit FK96 improve ride quality, not mandatory fitment.

REAR SELECTION - Estimated Lift 40mm

ALL MODELS		Part Number	Qty	Note
Medium Load	Spring	3322	1	
	Shock - N/Plus	63155	2	2
Constant 100kg	Spring	3323	1	
	Shock - N/Plus	63405	2	2
Constant 200kg	Spring	3324	1	
	Shock - N/Plus	63405	2	2

- 4** Due to some variances in vehicle production FK99 is an optional but highly recommended fitment if vehicle displays light rear brake line and/or coil contact to rear shock absorber.

- 5** FK122 will eliminate contact between the front drive shaft and the OE cross member with lifted suspension fitted

FIT KITS & HARDWARE

Loc	Description	Part Number	Qty	Note
R	TRIM PACKER	OMESJR10	EA	
R	PANHARD ROD EXT BKT KIT	FK96		3
R	BRAKE EXT & SHOCK MOUNT KIT	FK99	1	4
R	HEADLIGHT SENSOR KIT	FK97		

FRONT SELECTION - Estimated Lift 40mm

PETROL ENGINE		Part Number	Qty	Notes
No Bar	Spring	2963	1	
	Shock - N/Charger	OME028	2	
Bar Only	Spring	2965	1	
	Shock - N/Charger	OME028	2	

FRONT SELECTION - Estimated Lift 40mm

DIESEL ENGINE		Part Number	Qty	Notes
No Bar	Spring	2965	1	
	Shock - N/Charger	OME028	2	
Bar Only	Spring	2969	1	
	Shock - N/Charger	OME028	2	

REAR SELECTION - Estimated Lift 40mm

ALL MODELS		Part Number	Qty	Note
Medium Load	Spring	2966	1	
	Shock - N/Charger	OME029	2	

FIT KITS & HARDWARE

Loc	Description	Part Number	Qty	Note
R	TRIM PACKER	OMESJR10	EA	

STD TRACK : 1984 - 1988
 SJ50 - SWB
 SJ51 - LWB

WIDE TRACK : 1988 - 1996
 SJ70 - SWB (also fits MG410)
 SJ71 - LWB (also fits MG410WT)

Note: MG410 & MG10WT are Indian built LWB Models.

FRONT SELECTION - Estimated Lift 40mm

1.0L ENGINE		Part Number	Qty	Notes
No Bar	Leaf Spring	CS012FA/B	1+1	5
	Shock - N/Plus	63391	2	7
Bar Only	Leaf Spring	CS013FA/B	1+1	5
	Shock - N/Plus	63391	2	

FRONT SELECTION - Estimated Lift 40mm

1.3L ENGINE		Part Number	Qty	Notes
No Bar	Leaf Spring	CS012F/A	1+1	5
	Shock - N/Plus	63391	2	
Bar Only	Leaf Spring	CS013FA/B	1+1	5
	Shock - N/Plus	63391	2	

FIT KITS & HARDWARE

Loc	Description	Part Number	Qty	Note
F	SPRING BUSH	OMESB19	2	1
		OMESB25		1
F	U BOLTS REQ'D	OMEU60	EA	3
		OMEU61		
		OMEU61B		
		OMEU62		
F	FITTING KIT	FK06	1	4
F	TRIM PACKER	TP05	EA	
F	STEERING DAMPER	OMESD30	1	
F	EXTRA LEAF	D20XL	2	6
F	CENTRE BOLT			8

REAR SELECTION - Estimated Lift 40mm

ALL MODELS		Part Number	Qty	Note
Medium Load	Leaf Spring	CS038R	2	
	Shock - N/Plus	63390		2
Constant 100kg	Leaf Spring	CS039R	2	
	Shock - N/Plus	63390		2

FIT KITS & HARDWARE

Loc	Description	Part Number	Qty	Note
R	SPRING BUSH	OMESB19	2	1
		OMESB25		1
R	U BOLTS REQ'D	OMEU60	EA	3
		OMEU62		
R	TRIM PACKER	TP05	EA	
R	EXTRA LEAF	D21XL	2	
R	CENTRE BOLT			8

Comments

1 OMESB19 Bush Kit fits all Models except LJ50. OMESB25 Bush Kit only fits Model LJ50.

2 OME013 fits all Models except LJ80 and LJ80 II. N43 fits all LJ80 and LJ80 II Models.

3 **'88 To '96 1300cc Wide Track Models:**
Front: D/S OMEU61 x 1 / OMEU61B x 1
Front: P/S OMEU60 x 2
Rear: OMEU60 x 4

'84 To '88 1300cc STD Track Models:
Front: D/S OMEU61 x 1 / OMEU61B x 1
Front: P/S OMEU62 x 2
Rear: OMEU62 x 4

'81 To '87 1000cc Models:
Front: D/S OMEU61 x 1 / OMEU61B x 1
Front: P/S OMEU60 x 2
Rear: OMEU60 x 4

4 FK06 Kit required for Model with OE stabiliser bar. Refer OME Technical & Fitting Manual.

5 IMPORTANT: Sierras used in extreme heavy off road use eg. station mustering, must have CS013FA + B installed.

6 D20XL is suitable for CS012FA / B.

7 When remaining stock of OME015 is exhausted no further product will be available.

8 Refer to **Leaf Spring Service Parts** section for Centre Bolt selection.

FRONT SELECTION - Estimated Lift 30-40mm

1.9L ENGINE		Part Number	Qty	Notes
Bar Only	Leaf Spring	CS013FA/B	1+1	2
	Shock - N/Charger	OME034	2	
Bar / Winch/ Accessories	Leaf Spring	CS013FA/B	1+1	2
	XL Leaf	D20XL		1
	Shock - N/Charger	OME034	2	

Comments

1 Fitment of XL Leaf D20XL is recommended for weight in excess of 26kg on diesel Model and 75kg on petrol Model.

2 Front: LHS: OMEU60 x 2, RHS: OMEU61B x 2 required when fitting CS013FA/B
Rear: OMEU60 x 4 required when fitting CS039R

3 OMESD30 can be fitted to Models which have an OE steering damper.

4 Fitment of XL leaf D21XL is recommended for LWB Models with constant 100kg rear weight or OE hard top.

5 Refer to Leaf Spring Service Parts section for Centre Bolt selection.

FRONT SELECTION - Estimated Lift 30-40mm

1.3L ENGINE		Part Number	Qty	Notes
Bar Only	Leaf Spring	CS012FA/B	1+1	2
	Shock - N/Charger	OME034	2	
Bar / Winch/ Accessories	Leaf Spring	CS013FA/B	1+1	2
	Extra Leaf	D20XL		1
	Shock - N/Charger	OME034	2	

FIT KITS & HARDWARE

Loc	Description	Part Number	Qty	Note
F	SPRING BUSH	OMESB19		
F	U BOLTS	OMEU60 OMEU61B	2	2
F	CENTRE BOLT			5
F	STEERING DAMPER	OMESD30	1	3
F	TRIM PACKER	TP05	EA	

REAR SELECTION - Estimated Lift 40mm

LWB MODEL		Part Number	Qty	Note
Medium Load	Leaf Spring	CS039R	2	2
	Shock - N/Charger	OME035		
Constant 100kg	Leaf Spring	CS039R		2
	Extra Leaf	D21XL	2	4
	Shock - N/Charger	OME035		

REAR SELECTION - Estimated Lift 40mm

SWB MODEL		Part Number	Qty	Note
Medium Load	Leaf Spring	CS038R	2	2
	Shock - N/Charger	OME035		
Constant 100kg	Leaf Spring	CS039R	2	2
	Shock - N/Charger	OME035		

FIT KITS & HARDWARE

Loc	Description	Part Number	Qty	Note
R	SPRING BUSH	OMESB19		
R	CENTRE BOLT		2	5
R	TRIM PACKER	TP05	EA	
R	U BOLT	OMEU60	4	2

FRONT SELECTION

DIESEL & V6 PETROL		Part Number	Qty	Notes
Estimated Lift 1"	0 - 110lbs	Spring	2607	1
		Strut - N/Sport	90003	2 1
	110lbs - 330lbs	Spring	2608	1
		Strut - N/Sport	90003	2 1
	0lbs - 330lbs	Spring	4031	1
		Shock - Nitro Plus	93003	2 1,5

Comments

- 1 OE plastic stone shield **must** be refitted. No top mounting bushes supplied, use OME3139. OE bushes may be re-used if in good condition.
- 2 Use: OMESB99 with OE Shackles. OMESB100 when installing OMEGS15.
- 3 OE U Bolt plate bolt holes may need to be enlarged when fitting OME U Bolts.
- 4 Strut Top Hat Kit may be required if original equipment is worn.
- 5 Does not suit OE coil.

FIT KITS & HARDWARE

Loc	Description	Part Number	Qty	Note
F	UPPER STRUT BUSHES	OME3139	2	1
F	STRUT TOP HAT KIT	OMETH005		4

REAR SELECTION

ALL MODELS		Part Number	Qty	Note	
Estimated Lift 1"	No Load	Leaf Spring	CS150R	2 2	
		Shock - N/Plus	63017		
	Constant 880lbs	Spring	CS151R	2 2	
		Shock - N/Plus	63017		
	SPRING BUSH KIT		OMESB99	2	2
			OMESB100		
	GREASABLE SHACKLE KIT		OMEGS15	1	
	U BOLTS		OMEU53A	4	3

FRONT SELECTION

		V6 DIESEL ENGINE		Part Number	Qty	Notes
Estimated Lift 40-50mm	No Bar	Spring		3215	1	2
		Strut - N/Sport		90054	2	3,5
	Bar Only	Spring		3216	1	2
		Strut - N/Sport		*90055 / 90054	2	3,5
	Bar/ Winch	Spring		3217	1	2
		Strut - N/Sport		90055	2	3,5
	Bar/ Winch/ Accessories	Spring		3218	1	2
		Strut - N/Sport		90055	2	3,5
	Nitro +	Spring		4023	1	2
		Strut		*93055 / 93054	2	3,4,5
	MT64	Spring		4023	1	2
		Strut		MT64901017	2	3,4,5
Strut - Heavy		MT64901018				
BP-51	Strut - RH		BP5190022R	1+1	5	
	Strut - LH		BP5190022L			
	Fit Kit		VM80010066	1		

Comments

- 1 OME661 lower shock stone guards are recommended fitment for protection against stone damage.
- 2 OME coils and struts can only be installed together due to different winding of the lower coil end to suit the OME coil seat. They are not compatible with the OE coil seat.
- 3 No top bushes supplied. Re-use OE Bushes.
- 4 Does not suit OE coil
- 5 Models with Adaptive Variable Suspension (AVS) are suitable for OME Suspension upgrades. It is recommended to cut the plug off the shock and reinstall it onto the factory loom to help limit corrosion ingress.

FRONT SELECTION

		V6 DIESEL ENGINE		Part Number	Qty	Notes
Estimated Lift 20mm	No Bar	Spring		3304	1	2
		Strut - N/Sport		90054	2	3
	Bar Only	Spring		3224	1	2
		Strut - N/Sport		*90055 / 90054	2	3
	Bar/ Winch	Spring		3215	1	2
		Strut - N/Sport		90055	2	3
	Bar/ Winch/ Accessories	Spring		3216	1	2
		Strut - N/Sport		90055	2	3
	Nitro +	Spring		4038	1	2
		Strut		*93055 / 93054	2	3,4
	MT64	Spring		4038	1	2
		Strut		MT64901017	2	3,4
Strut - Heavy		MT64901018				
BP-51	Strut - RH		BP5190022R	1+1		
	Strut - LH		BP5190022L			
	Fit Kit		VM80010066	1		

- 6 Complete OME suspension kit must be fitted

FIT KITS & HARDWARE

Loc	Description	Part Number	Qty	Note
F	UPPER CONTROL ARMS	UCA0006	1	
F	TRIM PACKER - SUITS N/SPORT	OME95PF5	EA	
F	FRONT AXLE UPGRADE	FAU3001795	1	5

FRONT SELECTION

PETROL ENGINE		Part Number	Qty	Notes
Estimated Lift 40-50mm	No Bar	Spring	3224	1 2
		Strut - N/Sport	90054	2 3,5
	Bar Only	Spring	3215	1 2
		Strut - N/Sport	*90055 / 90054	2 3,5
	Bar/ Winch	Spring	3216	1 2
		Strut - N/Sport	90055	2 3,5
	Bar/ Winch/ Accessories	Spring	3217	1 2
		Strut - N/Sport	90055	2 3,5
	Nitro +	Spring	4022	1 2
		Strut	*93055 / 93054	2 3,4,5
	MT64	Spring	4022	1 2
		Strut	MT64901017	2 3,4,5
Strut - Heavy		MT64901018		
BP-51	Strut - RH	BP5190022R	1+1 5	
	Strut - LH	BP5190022L		
	Fit Kit	VM80010066	1	

Comments

- 1 OME661 lower shock stone guards are recommended fitment for protection against stone damage.
- 2 OME coils and struts can only be installed together due to different winding of the lower coil end to suit the OME coil seat. They are not compatible with the OE coil seat.
- 3 No top bushes supplied. Re-use OE Bushes.
- 4 Does not suit OE coil
- 5 Models with Adaptive Variable Suspension (AVS) are suitable for OME Suspension upgrades. It is recommended to cut the plug off the shock and reinstall it onto the factory loom to help limit corrosion ingress.

FRONT SELECTION

PETROL ENGINE		Part Number	Qty	Notes
Estimated Lift 20mm	No Bar	Spring	3310	1 2
		Strut - N/Sport	90054	2 3,5
	Bar Only	Spring	3304	1 2
		Strut - N/Sport	*90055 / 90054	2 3,5
	Bar/ Winch	Spring	3224	1 2
		Strut - N/Sport	90055	2 3,5
	Bar/ Winch/ Accessories	Spring	3215	1 2
		Strut - N/Sport	90055	2 3,5
	Nitro +	Spring	4039	1 2
		Strut	*93055 / 93054	2 3,4,5
	MT64	Spring	4039	1 2
		Strut	MT64901017	2 3,4,5
Strut - Heavy		MT64901018		

- 6 Full OME suspension system fitment required

FIT KITS & HARDWARE

Loc	Description	Part Number	Qty	Note
F	UPPER CONTROL ARMS	UCA0006	1	
F	TRIM PACKER -SUITS N/SPORT	OME95PF5	EA	
F	FRONT AXLE UPGRADE	FAU3001795	1	6

REAR SELECTION

ALL MODELS			Part Number	Qty	Note
Estimated Lift 50mm	Medium Load	Spring	3219	1	4
		Shock - N/Sport	60176	2	1,5
		Shock - N/Plus	63176		
	Constant 200kg	Spring	3220	1	4
		Shock - N/Sport	*60177 / 60176	2	1,5
		Shock - N/Plus	*63177 / 63176		
	Constant 400kg	Spring	3221	1	4
		Shock - N/Sport	60177	2	1,5
		Shock - N/Plus	63177		
	Constant 600kg	Spring	3222	1	4
		Shock - N/Sport	60177	2	1,5
		Shock - N/Plus	63177		
	MT64	Shock	MT64601019	2	5
		Shock - Heavy	MT64601020		
	BP-51	Shock	*BP5160062 / BP5160061	2	5
		Fit Kit	VM80010067	1	

Comments

- 1** OME661 / FK124 lower shock stone guards are recommended fitment for protection against stone damage.
- 2** OME coils and struts can only be installed together due to different winding of the lower coil end to suit the OME coil seat. They are not compatible with the OE coil seat.
- 3** No top bushes supplied. Re-use OE Bushes.
- 4** Due to the factory spring seat being susceptible to premature failure in heavy loading scenarios the FK121 is a highly recommended fitment for all vehicles.
- 5** Models with Adaptive Variable Suspension (AVS) are suitable for OME Suspension upgrades. It is recommended to cut the plug off the shock and reinstall it onto the factory loom to help limit corrosion ingress.

REAR SELECTION

ALL MODELS			Part Number	Qty	Note
Estimated Lift 20mm	Medium Load	Spring	3311	1	
		Shock - N/Sport	60176	2	1,5
		Shock - N/Plus	63176		
	Constant 200kg	Spring	3312	1	
		Shock - N/Sport	*60177 / 60176	2	1,5
		Shock - N/Plus	*63177 / 63176		
	Constant 400kg	Spring	3313	1	
		Shock - N/Sport	60177	2	1,5
		Shock - N/Plus	63177		
	Constant 600kg	Spring	3314	1	
		Shock - N/Sport	60177	2	1,5
		Shock - N/Plus	63177		
	MT64	Shock	MT64601019	2	5
		Shock - Heavy	MT64601020		

FIT KITS & HARDWARE

Loc	Description	Part Number	Qty	Note
R	TRIM PACKER	OME80PR05	EA	
		OME80PR10		
R	STONE GUARD KIT	OME661	2	
		FK124		
R	SPRING SEAT REINFORCEMENT KIT	FK121	1	4

FRONT SELECTION

V8 DIESEL ENGINE			Part Number	Qty	Notes
50mm	Nitro +	Spring	4008	1	1
		Strut	*93005 / 93017	2	1,2,6
50mm	MT64	Spring	4008	1	1
		Strut	MT64901019	2	1,2,6
		Strut	*MT64901020		
25mm	Nitro +	Spring	4010	1	1
		Strut	*93005 / 93017	2	1,2,6
25mm	MT64	Spring	4010	1	1
		Strut	MT64901019	2	1,2,6
		Strut	*MT64901020		
50mm	BP-51	Coilover LH	BP5190003L	1+1	1
		Coilover RH	BP5190003R		1,2
		Fit Kit	VM80010003	1	1,2

FIT KITS & HARDWARE

Loc	Description	Part Number	Qty	Note
F	UPPER CONTROL ARM	UCA0001	1	5
F	UPPER STRUT BUSHES	OME3125	2	2
F	STRUT TOP HAT KIT	OMETH003	2	3
F	FRONT AXLE UPGRADE LABEL KIT	FAU2001870	1	4

SERVICE PARTS

Loc	Description	Part Number	Qty	Note
F	OME UCA Eye Bush 2pk	UCASP001	1	
F	OME UCA Ball Joint 1pk	UCASP002	EA	
F	OME UCA Boot 2pk	UCASP003	1	

Selection Hints

For fitment to Models with Toyota's KDSS (Kinetic Dynamic Suspension System) fitted, please refer to OME's Fitting Hints & Tips (OME Bulletin 70 LC200 KDSS Fitting Hints).

Comments

- 1** OME coils and struts can only be installed together due to different winding of the lower coil end to suit the OME coil seat. They are not compatible with the OE coil seat. Due to the nature of the KDSS, Models fitted with KDSS may experience a characteristic 10mm to 15mm lean to the front right hand side.
- 2** No top mounting bushes supplied, use OME3125. OE bushes may be re-used if in good condition
- 3** Strut Top Hat Kit may be required if original equipment is worn.
- 4** Australia Only. Full OME suspension system must be fitted.
- 5** The OME Upper Control Arm will provide an increase between +2.5 and +3.5 degrees of caster and up to 1.5 degrees of negative camber increase (figures based off an approximate 50mm lift). Please note after fitment of Upper Control Arm a vehicle wheel alignment will be required.
- 6** Does not suit OE coil.

FRONT SELECTION

V8 PETROL ENGINE			Part Number	Qty	Notes
50mm	Nitro +	Spring	4010	1	1
		Strut	*93005 / 93017	2	1,2,6
50mm	MT64	Spring	4010	1	1
		Strut	MT64901019	2	1,2,6
		Strut	*MT64901020		
25mm	Nitro +	Spring	4019	1	1
		Strut	*93005 / 93017	2	1,2,6
25mm	MT64	Spring	4019	1	1
		Strut	MT64901019	2	1,2,6
		Strut	*MT64901020		
50mm	BP-51	Coilover LH	BP5190003L	1+1	
		Coilover RH	BP5190003R		
		Fit Kit	VM80010003	1	

FIT KITS & HARDWARE

Loc	Description	Part Number	Qty	Note
F	UPPER CONTROL ARM	UCA0001	1	5
F	UPPER STRUT BUSHES	OME3125	2	2
F	STRUT TOP HAT KIT	OMETH003	2	3
F	FRONT AXLE UPGRADE LABEL KIT	FAU2001870	1	4

SERVICE PARTS

Loc	Description	Part Number	Qty	Note
F	OME UCA Eye Bush 2pk	UCASP001	1	
F	OME UCA Ball Joint 1pk	UCASP002	EA	
F	OME UCA Boot 2pk	UCASP003	1	

Selection Hints

For fitment to Models with Toyota's KDSS (Kinetic Dynamic Suspension System) fitted, please refer to OME's Fitting Hints & Tips (OME Bulletin 70 LC200 KDSS Fitting Hints).

Comments

- 1 OME coils and struts can only be installed together due to different winding of the lower coil end to suit the OME coil seat. They are not compatible with the OE coil seat. Due to the nature of the KDSS, Models fitted with KDSS may experience a characteristic 10mm to 15mm lean to the front right hand side.
- 2 No top mounting bushes supplied, use OME3125. OE bushes may be re-used if in good condition
- 3 Strut Top Hat Kit may be required if original equipment is worn.
- 4 Australia Only. Full OME suspension system must be fitted.
- 5 The OME Upper Control Arm will provide an increase between +2.5 and +3.5 degrees of caster and up to 1.5 degrees of negative camber increase (figures based off an approximate 50mm lift). Please note after fitment of Upper Control Arm a vehicle wheel alignment will be required.
- 6 Does not suit OE coil.

TOYOTA

LANDCRUISER 200 SERIES WAGON (Not AHC Models)

GLOBAL

REAR SELECTION

ALL MODELS		Part Number	Qty	Note	
Estimated Lift 20mm	Medium Load	Spring	2722	1	
		Spring KDSS	3185		
		Shock - N/Plus	63029		
		Shock - MT64	MT64601017	2	
		Shock - MT64	*MT64601018		3
	Constant 200kg	Spring	2723	1	
		Spring KDSS	3186		
		Shock - N/Plus	63030		
		Shock - MT64	MT64601017	2	
		Shock - MT64	*MT64601018		3
	Constant 400kg	Spring	2724	1	
		Spring KDSS	3187		
Shock - N/Plus		63030			
Shock - MT64		MT64601017	2		
	Shock - MT64	*MT64601018		3	
Constant 600kg	Spring	2725	1		
	Spring KDSS	3188			
	Shock - N/Plus	63030			
	Shock - MT64	MT64601017	2		
	Shock - MT64	*MT64601018		3	
No Lift	Medium Load	Spring	2721	1	
		Shock - N/Plus	63029		
		Shock - MT64	MT64601017	2	
		Shock - MT64	*MT64601018		3
-20mm	Medium Load	Spring	2720	1	
		Shock - N/Plus	63029		
		Shock - MT64	MT64601017	2	
		Shock - MT64	*MT64601018		3
20mm	BP-51	Shock	BP5160026	2	
		Shock	*BP5160053		
		Fit Kit	VM80010004	1	
		Fit Kit - KDSS	VM80010005		

Selection Hints

For fitment to Models with Toyota's KDSS (Kinetic Dynamic Suspension System) fitted, please refer to OME's Fitting Hints & Tips (OME Bulletin 70 LC200 KDSS Fitting Hints).

Comments

1 OME661 Lower Shock Stone Guards are recommended fitment for protection against stone damage.

2 Not suitable for KDSS Models.

3 "*" Indicates firmer valving

FIT KITS & HARDWARE

Loc	Description	Part Number	Qty	Note
R	TRIM PACKER	OME80PR05		
		OME80PR10	EA	
R	STONE GUARD KIT	OME661		
		FK124	2	
R	SWAY BAR UPGRADE (33mm)	OMESTAB5	1	2

TOYOTA

LANDCRUISER 105 SERIES & 80 SERIES WAGONS
LIVE AXLE FRONT

GLOBAL

FRONT SELECTION

PETROL & DIESEL ENGINE		Part Number	Qty	Notes
Est Lift 50mm	No Bar	Spring	2851	1
		Shock - N/Plus	63018	2
	Bar Only	Spring	2850	1
		Shock - N/Plus	*63070 / 63018	2
	Bar/ Winch/ Accessories	Spring	2850	1
		Shock - N/Plus	*63070 / 63018	2
Est 10mm	Bar Only	Spring	2861	1
		Shock - N/Plus	63070	2
	Bar/ Winch/ Accessories	Spring	2861	1
		Shock - N/Plus	63070	2
50mm	BP-51	Shock	BP5160043	2
		Fit Kit	VM80010025	1

Comments

- 1 OMECA77B Caster Kit will increase caster angle by 2 degrees. Check manufacturer's specifications to determine if OMECA77B Caster Kit is required.
- 2 Packers must be installed on the top of coil springs.
- 3 OME662 or OME661 Lower Shock Mount Stone Guard is recommended fitment to protect against severe stone pepping encountered on loose road surfaces. OME662 will only fit Models with 34mm diameter control arms.

FIT KITS & HARDWARE

Loc	Description	Part Number	Qty	Note
F	TRIM PACKER	OME80PF05	EA	2
		OME80PF10		
F	STEERING DAMPER	OMESD24	1	
F	CASTER KIT	OMECA77B		1

TOYOTA

LANDCRUISER 105 SERIES & 80 SERIES WAGONS LIVE AXLE FRONT

GLOBAL

REAR SELECTION

ALL MODELS			Part Number	Qty	Note
Estimated Lift 50mm	Medium Load	Spring	2860	1	
		Shock - N/Plus	63020	2	2.3
	Constant 200kg	Spring	2863	1	
		Shock - N/Plus	63020	2	2.3
	Constant 400kg	Spring	2864	1	
		Shock - N/Plus	63071	2	2.3
Constant 600kg	Spring	2868	1		
	Shock - N/Plus	63071	2	2.3	
20mm	Medium Load	Spring	2862	1	
		Shock - N/Plus	63020	2	2.3
50mm	BP-51	Shock	BP5160013	2	
		Fit Kit	VM80010026	1	

Comments

- 1 OMECA77B Caster Kit will increase caster angle by 2 degrees. Check manufacturer's specifications to determine if OMECA77B Caster Kit is required.
- 2 Packers must be installed on the top of coil springs.
- 3 FK124 Lower Shock Mount Stone Guard is recommended fitment to protect against severe stone pepping encountered on loose road surfaces.

REAR SELECTION

LPG CONVERSIONS			Part Number	Qty	Note
Est Lift 50mm	Medium Load	Spring	2860	1	
		Shock - N/Plus	63020	2	2.3
	Constant 200kg	Spring	2863	1	
		Shock - N/Plus	63020	2	2.3
	BP-51	Shock	BP5160013	2	
		Fit Kit	VM80010026	1	

FIT KITS & HARDWARE

Loc	Description	Part Number	Qty	Note
R	TRIM PACKER	OME80PR05	EA	2
		OME80PR10		
R	STONE GUARD KIT	FK124	2	3

OFFROAD USE ONLY - TOYOTA

LANDCRUISER 80 & 105 SERIES

GLOBAL

FRONT SELECTION

ALL LWB MODELS		Part Number	Qty	Notes
Bar Only	Spring - 75mm	2418	1	
	Spring - 100mm	2419		
	Spring - 125mm	2420		
Bar/ Winch/ Accessories	Spring - 75mm	3039	1	
	Spring - 100mm	3051		
Nitrocharger Plus	Shock (100mm)	63018L	2	1
		*63070L		
BP-51	Shock (100mm)	BP5160044	2	1
	Fit Kit	VM80010025	1	

Lift increase is approximate and will depend on vehicle weights.

Modifications for off road use only.

The products listed in this selection chart are deemed by Old Man Emu to be suitable for off road use and their legality for public road use should be certified by the relevant Registration Authority. An Off Road Use Only Disclaimer must be signed by the customer.

Modifications and replacement of other associated components will be required.

FIT KITS & HARDWARE

Loc	Description	Part Number	Qty	Note
F	STEERING DAMPER	OMESD24	1	
F	ADJ PANHARD ROD	PAN3050		
		PANR007		2
F	TRIM PACKER	OME80PF05	EA	3
		OME80PF10		

Comments

REAR SELECTION

ALL LWB MODELS		Part Number	Qty	Notes
Medium Load	Spring - 75mm	2421	1	
	Spring - 100mm	2422		
	Spring - 125mm	2423		
Constant 200kg	Spring - 75mm	3040	1	
	Spring - 100mm	3043		
Constant 400kg	Spring - 75mm	3049	1	
	Spring - 100mm	3052		
Nitrocharger Plus	Shock (100mm)	63020L	2	1
		*63071L		
BP-51	Shock (100mm)	BP5160015	2	1
	Fit Kit	VM80010026	1	

1 Shocks are designed around a 100mm coil - compatiability for 75mm & 125mm need to be determined by the installer with open and closed lengths checked as well as bump stop contact measurements.

2 PANR007 suits RHD only
 PAN3050 suits LHD only
 PANR008 suits RHD & LHD
 LTA3043 - Standard Length
 UTA3036 - 40mm on car adjustable

3 Coil trim packers may be required to trim vehicles. Rear Packers must be installed to the top of the coil tower only.
 OME80PF05 - 5mm
 OME80PF10 - 10mm

FIT KITS & HARDWARE

Loc	Description	Part Number	Qty	Note
R	ADJ PANHARD ROD	PANR008	1	2
R	H/DUTY LOWER TRAILING ARMS	LTA3043		
R	ADJ UPPER TRAILING ARMS	UTA3036		
R	TRIM PACKER	OME80PR05	EA	3
		OME80PR10		

FRONT SELECTION

PETROL & DIESEL MODELS		Part Number	Qty	Note
Bar/ Winch/ Accessories	Torsion Bars	303001	1	1
		303002		
	Shock - N/Plus	*63001 / 63000	2	

FIT KITS & HARDWARE

Loc	Description	Part Number	Qty	Note
F	UPPER CONTROL ARM	UCA0010	1	
F	FITTING KIT	FK27		5

REAR SELECTION

ALL MODELS 10/2000 ON		Part Number	Qty	Note
Est Lift 10mm	Medium Load	Spring	2860	1
		Shock - N/Plus	63002	2
	Constant 200kg	Spring	2863	1
		Shock - N/Plus	*63003 / 63002	2
	Constant 400kg	Spring	2864	1
		Shock - N/Plus	63003	2
REAR RAKE	Medium Load	Spring	2866	1
		Spring	2862	
		Shock - N/Plus	63002	

REAR SELECTION

ALL MODELS 10/98 TO 09/2000		Part Number	Qty	Note
Est 40mm	Medium Load	Spring	2865	1
		Shock - N/Plus	63002	2
	Constant 200kg	Spring	2866	1
		Shock - N/Plus	*63003 / 63002	2

FIT KITS & HARDWARE

Loc	Description	Part Number	Qty	Note
R	TRIM PACKER	OME80PR05	EA	2
		OME80PR10		
R	STONE GUARD KIT	OME661	1	3
		OME662		
		FK124	2	

Comments

1 Raise or lower front end clearance and trim vehicle by adjusting front torsion bars. It is **important** that a minimum of 60mm of droop is maintained to prevent topping out of the front shock absorbers. 303001 suits V8 Models, 303002 suits Turbo Diesel Models.

2 Packers must be installed on top of coils.

3 NITROCHARGER FITMENT: FK124/ OME661 or OME662 (suits 40mm diameter control arms) Lower Shock Mount Stone Guard is recommended fitment to rear shocks to protect against severe stone pepping encountered on loose road surfaces.

4 Original rear rake is 60mm approximately with OE coil rates of 145lbs/in or 25.5N/mm. Customers wishing to lower the rear height but increase the load carrying ability can select from:

2866 - Reduces OE height by 10mm (rates 240 - 300lbs/in, 42 - 52.5N/mm)

2862 - Reduces OE height by 30mm (rates 240lbs/in, 42N/mm)

5 Due to the common problem of the lower control arm cracking when driven under hard conditions, the fitment of a FK27 Lower Control Arm Reinforcing Bracket Kit is strongly recommended.

FRONT SELECTION

V8 DIESEL ENGINE			Part Number	Qty	Note
Estimated Lift 40mm	No Bar	Spring	2856	1	3
		Shock - N/Plus	63008	2	2
	Bar Only	Spring	2859	1	3
		Shock - N/Plus	63008	2	2
	Bar/ Winch/ Accessories	Spring	2859	1	3,7
		Shock - N/Plus	63008	2	2
	MT64	Shock	MT64601003	2	
	BP-51	Shock	BP5160042	2	
		Fit Kit	VM80010006	1	

Comments

- 1 OMECA77B Caster Kit will increase caster angle by 2 degrees. Check manufacturer's specifications to determine if required.
- 2 Should the front drive shaft contact the sway bar when the suspension is at full droop, use FK19 Spacer Kit to pack the sway bar down.
- 3 For heavily loaded rear applications it may be necessary to step down one spring selection in the front to maintain correct rake & expected lift.

FIT KITS & HARDWARE

Loc	Description	Part Number	Qty	Note
F	STEERING DAMPER	OMESD47	1	
F	CASTER KIT	OMECA77B		1
F	SWAY BAR SPACER KIT	FK19		2
F	UPGRADED FRONT SWAY BAR	OMESTAB3		6
F	ABS WIRE BRACKET KIT	FK65		4
F	FRONT AXLE UPGRADE LABEL KIT	FAU701540		5
F	TRIM PACKER	OME79PF10		EA

- 4 For vehicles fitted with ABS brakes. FK65 fit kit is required for vehicles prior to August 2016 production. For vehicles post August 2016 production refer to PIB No 343 for instructions on adjustment.
- 5 Australia Only. Full OME Suspension System must be fitted.

FRONT SELECTION

6cyl PETROL/ 6Cyl & 4Cyl DIESEL			Part Number	Qty	Note
Estimated Lift 40mm	No Bar	Spring	2856	1	3
		Shock - N/Plus	63008	2	2
	Bar Only	Spring	2859	1	3
		Shock - N/Plus	63008	2	2
	Bar/ Winch/ Accessories	Spring	2859	1	3
		Shock - N/Plus	63008	2	2
	MT64	Shock	MT64601003	2	
	BP-51	Shock	BP5160042	2	
		Fit Kit	VM80010006	1	

- 6 OMESTAB3 suits V8 Diesel engines only.
- 7 **Caution** when selecting spring 2853. OME recommend this spring when the rear weight is 300kg or less. Cross reference with GVM selection pages.
- 8 OMESD24 - suits 6 Cyl engines
OMESD47 - suits 8 & 4 Cyl engines

FIT KITS & HARDWARE

Loc	Description	Part Number	Qty	Note
F	STEERING DAMPER	OMESD24	1	8
		OMESD47		
F	CASTER KIT	OMECA77B		1
F	SWAY BAR SPACER KIT	FK19		2
F	ABS WIRE BRACKET KIT	FK65		4
F	FRONT AXLE UPGRADE LABEL KIT	FAU701540		5
F	TRIM PACKER	OME79PF10		EA

REAR SELECTION

ALL MODELS		Part Number	Qty	Note	
Estimated Lift 45mm	Medium Load	Multi Leaf Spring	EL113R	2,4,9	
	Shocks	Nitro Plus	63010	2	
		MT64	MT64601005		
	Constant 300kg	Multi Leaf Spring	EL114R	2,4,9	
	Constant 400kg	Parabolic Spring	PB007R	2	
		Nitro Plus	63011	2,4,7,8	
	Shocks	MT64	MT64601006		
		Constant 500kg	Multi Leaf Spring	EL115R	2,4,9
	Constant 600kg	Parabolic Spring	PB008R	2	
		Nitro Plus	63011	2,4,7,8	
	Shocks	MT64	MT64601006		
		Constant 700kg	Multi Leaf Spring	EL116R	2,3,4,5,9
	Shocks	Nitro Plus	63109	2	
		MT64	MT64601008		
	Constant 800kg	Parabolic Spring	PB009R	2	2,3,4,7,8
		Constant 1000kg	Parabolic Spring		
	Shocks	Nitro Plus	63401		
		MT64	MT64601006		
BP-51	Shock	BP5160028	2		
	Shock Long	BP5160052		6	
	Fit Kit	VM80010007	1		
AIR BAG KIT		OMEAB003			
BLUETOOTH CONTROL MODULE		0830002	1	9, 13	
LINX PRESSURE CONTROL KIT		7450107			
LINX AIRBAG ISOLATION KIT		7450109			
PURGE CONTROL KIT		OMEABK001			
SPRING BUSH KIT		OMESB101	2	1	
		OMESB85			
GREASABLE SHACKLE KIT		OMEGS10	1		
GREASABLE FIXED END PIN KIT		OMEGP7			
U BOLT		OMEU59B	4	5	
		OMEU59C			
		OMEU59D			
		OMEU90			
BRAKE PROPORTIONING VALVE		FK51	1	4	
		FK58			

Comments

- OMESB101: Use on original shackles & pins. OMESB85: Use for all Models when installing OME greasable shackles & pins.
- Include tray weight in constant load calculation.
- OMESTAB9 Sway Bar is highly recommended fitment when 700kg Constant Spring is used. Sway Bar can also be fitted to lighter rated springs to improve road handling. FK76 suits Models with OE axle sway bar mount. FK77 suits Models without OE sway bar provision.
- FK51 and FK58 Brake Proportioning Valve Kits (included in BP-51 Fit Kit) suit vehicles prior to August 2016 production. FK51 is for medium load and 300kg spring. FK58 is for 500kg and 700kg spring. Due to variance in tray clearance on 70 Series Dual Cab please check vehicle before selecting Fit Kit.
- Use OMEU59C if fitting Extra Leaf to EL116R. Use OMEU90 for PB007R/8R/9R. Use OMEU59D for PB010R.
- Suits EL116R Only.
- When fitting parabolic springs to a vehicle with a rear sway bar, the mount plate may contact the sway bar & will need to be spaced down with 2 x ELSK06 & 1 x UCB17
- Air Bag Kit is a **mandatory** fitment.
- Air Bag Kit is **not recommended** for Multi-Leaf Springs.
- Refer to **Leaf Spring Service Parts** section for Centre Bolt selection.
- Required for models 2014 to 08/16.
- Does not suit parabolic springs
- It is highly recommended to check compatibility on vehicles already fitted with aftermarket suspension and/or exhaust systems. For Air Bag Kit details refer to Air Bag Specification sheet at the rear of this guide.

FIT KITS & HARDWARE

Loc	Description	Part Number	Qty	Note
R	SWAY BAR	OMESTAB9		
R	SWAY BAR FIT KIT	FK77	1	3
		FK76		
R	REAR BRAKE LINE DROP	FK82		11
R	EXTRA LEAF	EL14XL	2	12
R	EXTRA LEAF SPACER KIT	ELSK13		
R	CENTRE BOLT		EA	10
R	TRIM PACKER	ELSK06		

FRONT SELECTION

		V8 & 4Cyl DIESEL ENGINE	Part Number	Qty	Note
Estimated Lift 50mm	No Bar	Spring	2856	1	3,4
		Shock - N/Plus	63008	2	
	Bar Only	Spring	2859	1	3,4
		Shock - N/Plus	63008	2	
	Bar/ Winch/ Accessories	Spring	2859	1	3,4
		Shock - N/Plus	63008	2	
	MT64	Shock	MT64601003	2	
	BP-51	Shock	BP5160042	2	
		Fit Kit	VM80010006	1	

FIT KITS & HARDWARE

Loc	Description	Part Number	Qty	Note
F	STEERING DAMPER	OMESD47	1	
F	CASTER KIT	OMECA77B		1
F	SWAY BAR SPACER KIT	FK19		2
F	ABS WIRE BRACKET KIT	FK65		
F	UPGRADED FRONT SWAY BAR	OMESTAB3		3
F	FRONT AXLE UPGRADE LABEL KIT	FAU701540		5

Comments

- 1** OMECA77B Caster Kit will increase caster angle by 2 degrees. Check manufacturer's specifications to determine if required.
- 2** Should the front drive shaft contact the sway bar when the suspension is at full droop, use FK19 Spacer Kit to pack the sway bar down.
- 3** For vehicles fitted with ABS brakes. FK65 fit kit is required for vehicles prior to August 2016 production. For vehicles post August 2016 production refer to PIB No 343 for instructions on adjustment.
- 4** For heavily loaded rear applications it may be necessary to step down one spring selection in the front to maintain correct rake & expected lift.
- 5** Australia Only. Full OME Suspension System must be fitted.
- 6** Be sure to select OME Bush Kits carefully:
OMESB85: Use for all Models when installing OME greasable shackles & pins.
OMESB86: Use when original shackles & pins are used.
- 7** To prevent springs from inverting it is mandatory that either OMEGS19 Greasable Shackle Kit or FK38 Anti Inversion Kit be installed.
- 8** OME661 Lower Shock Mount Stone Guard Kit is recommended fitment to rear shocks to protect against severe stone peppering encountered on loose road surfaces.
- 9** FK51 and FK58 Brake Proportioning Valve Kits (included in BP-51 Fit Kit) suit vehicles prior to August 2016 production. FK51 is for medium load. FK58 is for 400kg and 800kg Spring.
- 10** Use OMEU59B when fitting CS070R springs.
- 11** Does not fit with CS070R.
- 12** Refer to **Leaf Spring Service Parts** section for Centre Bolt selection.

REAR SELECTION

ALL MODELS		Part Number	Qty	Note	
Estimated Lift 50mm	Medium Load	Leaf Spring	CS057R	9	
		Shock - N/Plus	63010	8,3	
		Shock - MT64	MT64601005		
	Constant 400kg	Leaf Spring	CS058R	9	
		Shock - N/Plus	*63111 / 63010	2	8,3
		Shock - MT64	MT64601006		
	Constant 800kg	Leaf Spring	CS070R	2	9,10
		Shock - N/Plus	63111		8,3
	BP-51	Shock	BP5160028	2	
		Fit Kit	VM80010007	1	
	SPRING BUSH KIT		OMESB86	2	6
	GREASABLE SHACKLE KIT		OMESB85		7
	GREASABLE FIXED END PIN KIT		OMEGS19	1	
	U BOLT		OMEGP7		
BRAKE PROPORTIONING BRKT		OMEU59D	4	10	
		OMEU59B			
BRAKE PROPORTIONING BRKT		FK51		9	
		FK58	1		
REAR BRAKE LINE DROP		FK82			

FIT KITS & HARDWARE

Loc	Description	Part Number	Qty	Note
R	ANTI-INVERSION KIT	FK38	1	7
R	STONE GUARD KIT	OME661	1	8
		FK124	2	
R	EXTRA LEAF	D35XL	2	11
R	EXTRA LEAF SPACER KIT	ELSK13		
R	CENTRE BOLT			12

Comments

- 1** OMECA77B Caster Kit will increase caster angle by 2 degrees. Check manufacturer's specifications to determine if required.
- 2** Should the front drive shaft contact the sway bar when the suspension is at full droop, use FK19 Spacer Kit to pack the sway bar down.
- 3** For vehicles fitted with ABS brakes. FK65 fit kit is required for vehicles prior to August 2016 production. For vehicles post August 2016 production refer to PIB No 343 for instructions on adjustment.
- 4** For heavily loaded rear applications it may be necessary to step down one spring selection in the front to maintain correct rake & expected lift.
- 5** Australia Only. Full OME Suspension System must be fitted.
- 6** Be sure to select OME Bush Kits carefully:
OMESB85: Use for all Models when installing OME greasable shackles & pins.
OMESB86: Use when original shackles & pins are used.
- 7** To prevent springs from inverting it is mandatory that either OMEGS19 Greasable Shackle Kit or FK38 Anti Inversion Kit be installed.
- 8** OME661/ FK124 Lower Shock Mount Stone Guard Kit is recommended fitment to rear shocks to protect against severe stone peppering encountered on loose road surfaces.
- 9** FK51 and FK58 Brake Proportioning Valve Kits (included in BP-51 Fit Kit) suit vehicles prior to August 2016 production. FK51 is for medium load. FK58 is for 400kg and 800kg Spring.
- 10** Use OMEU59B when fitting CS070R springs.
Use OMEU59D when fitting CS057R & CS058R
- 11** Does not fit with CS070R.
- 12** Refer to **Leaf Spring Service Parts** section for Centre Bolt selection.

FRONT SELECTION

V8 DIESEL ENGINE		Part Number	Qty	Note	
Estimated Lift 40mm	No Bar	Spring	2856	1	3,4
		Shock - N/Plus	63008	2	
	Bar Only	Spring	2859	1	3,4
		Shock - N/Plus	63008	2	
	Bar/ Winch/ Accessories	Spring	2853	1	3,4,6
		Shock - N/Plus	63008	2	
	MT64	Shock	MT64601003	2	
	BP-51	Shock	BP5160042	2	
		Fit Kit	VM80010006	1	

Comments

- 1 OMECA77B Caster Kit will increase caster angle by 2 degrees. Check manufacturer's specifications to determine if required.
- 2 Should the front drive shaft contact the sway bar when the suspension is at full droop, use FK19 Spacer Kit to pack the sway bar down.
- 3 For vehicles fitted with ABS brakes. FK65 fit kit is required for vehicles prior to August 2016 production. For vehicles post August 2016 production refer to PIB No 343 for instructions on adjustment.
- 4 For heavily loaded rear applications it may be necessary to step down one spring selection in the front to maintain correct rake & expected lift.
- 5 Australia Only. Full OME Suspension System must be fitted.

FIT KITS & HARDWARE

Loc	Description	Part Number	Qty	Note
F	STEERING DAMPER	OMESD47		
F	CASTER KIT	OMECA77B	1	1
F	SWAY BAR SPACER KIT	FK19		2
F	TRIM PACKER	OME79PF10	EA	
F	UPGRADED FRONT SWAY BAR	OMESTAB3		
F	ABS WIRE BRACKET KIT	FK65	1	3
F	FRONT AXLE UPGRADE LABEL KIT	FAU701540		5

FRONT SELECTION

6cyl PETROL/ 6Cyl & 4Cyl DIESEL		Part Number	Qty	Note	
Estimated Lift 40mm	No Bar	Spring	2856	1	3,4
		Shock - N/Plus	63008	2	
	Bar Only	Spring	2859	1	3,4
		Shock - N/Plus	63008	2	
	Bar/ Winch/ Accessories	Spring	2859	1	3,4
		Shock - N/Plus	63008	2	
	MT64	Shock	MT64601003	2	
	BP-51	Shock	BP5160042	2	
		Fit Kit	VM80010006	1	

- 6 **Caution** when selecting spring 2853. OME recommend this spring when the rear weight is 300kg or less. Cross reference with GVM selection pages.
- 7 OMESD24 - suits 6 Cyl engines
OMESD47 - suits 8 & 4 Cyl engines

FIT KITS & HARDWARE

Loc	Description	Part Number	Qty	Note
F	STEERING DAMPER	OMESD24	1	7
		OMESD47		
F	CASTER KIT	OMECA77B		1
F	SWAY BAR SPACER KIT	FK19		2
F	TRIM PACKER	OME79PF10	EA	
F	ABS WIRE BRACKET KIT	FK65	1	3
F	FRONT AXLE UPGRADE LABEL KIT	FAU701540		5

REAR SELECTION

ALL MODELS		Part Number	Qty	Note	
Estimated Lift 45mm	Constant 200kg	Multi Leaf Spring	EL113R	2	2,4
		Shock - N/Plus	63010		
		Shock - MT64	MT64601005		
	Constant 400kg	Multi Leaf Spring	EL114R	2	2,4,9
		Parabolic Spring	PB007R		
		Shock - N/Plus	63011		
	Constant 600kg	Multi Leaf Spring	EL115R	2	2,4,9
		Parabolic Spring	PB008R		
		Shock - N/Plus	63011		
	Constant 800kg	Multi Leaf Spring	EL116R	2	3,4,5
		Shock - N/Plus	63109		
		Shock - MT64	MT64601008	2	3,4,9
		Parabolic Spring	PB009R		
		Shock - N/Plus	63401		
		Shock - MT64	MT64601006		
	Constant 1000kg	Parabolic Spring	PB010R	2	3,4,9
		Shock - N/Plus	63401		
	BP-51	Shock	BP5160028	2	8
		Shock Long	BP5160052		
		Fit Kit	VM80010007		
AIR BAG KIT		OMEAB003	1	10,12	
BLUETOOTH CONTROL MODULE		0830002			
LINX PRESSURE CONTROL KIT		7450107			
LINX AIRBAG ISOLATION KIT		7450109			
PURGE CONTROL KIT		OMEABK001			
SPRING BUSH KIT		OMESB86	2	1	
		OMESB85			
GREASABLE SHACKLE KIT		OMEGB19	1		
GREASABLE FIXED END PIN KIT		OMEGB7			
U BOLT		OMEU59B	4	5	
		OMEU59C			
		OMEU59D			
		OMEU90			
BRAKE PROPORTIONING VALVE		FK51	1	4	
		FK58			

Comments

- OMESB85: Use for all Models when installing OME greasable shackles & pins.
OMESB86: Use for Troop Carrier Models when original shackles & pins are used.
- FK34 Sway Bar Extension Bracket Kit must be installed to prevent damage to sway bar mounts, due to increased suspension travel. FK34 not needed if fitting OMESTAB9.
- OMESTAB9 Sway Bar is highly recommended fitment when 800kg Constant Spring is used. Sway Bar can also be fitted to lighter rated springs to improve road handling. FK76 suits Models with OE axle sway bar mount. FK77 suits Models without OE sway bar provision.
- FK51 and FK58 Brake Proportioning Valve Kits (included in BP-51 Fit Kit) suit vehicles prior to August 2016 production. FK51 is for 200kg and 400kg Spring. FK58 is for 600kg and 800kg Spring.
- Use OMEU59C if fitting Extra Leaf to EL116R.
Use OMEU90 for PB007R/8R/9R
Use OMEU59D for PB010R
- Required on Models 2014 TO 08/16.
- Refer to **Leaf Spring Service Parts** section for Centre Bolt selection.
- Suits EL116R **only**.
- Air Bag Kit is a **mandatory** fitment.
- Air Bag Kit is **not recommended** for Multi-Leaf Springs.
- Not suitable for parabolic leaf springs.
- It is highly recommended to check compatibility on vehicles already fitted with aftermarket suspension and/or exhaust systems. For Air Bag Kit details refer to Air Bag Specification sheet at the rear of this guide.

FIT KITS & HARDWARE

Loc	Description	Part Number	Qty	Note
R	SWAY BAR	OMESTAB9	1	2,3
R	SWAY BAR FIT KIT	FK77		3
		FK76		3
R	SWAY BAR EXT BRACKET KIT	FK34	2	
R	EXTRA LEAF	EL14XL	2	11
R	EXTRA LEAF SPACER KIT	ELSK13		
R	CENTRE BOLT			7
R	TRIM PACKER	ELSK06	EA	
R	REAR BRAKE LINE DROP KIT	FK82	1	6

FRONT SELECTION

V8 DIESEL ENGINE			Part Number	Qty	Note
Estimated Lift 40mm	No Bar	Spring	2856	1	2,3
		Shock - N/Plus	63008	2	
	Bar Only	Spring	2859	1	2,3
		Shock - N/Plus	63008	2	
	Bar/ Winch/ Accessories	Spring	2853	1	2,3,6
		Shock - N/Plus	63008	2	
	MT64	Shock	MT64601003	2	
	BP-51	Shock	BP5160042	2	
		Fit Kit	VM80010006	1	

Comments

- 1 OMECA77B Caster Kit will increase caster angle by 2 degrees. Check manufacturer's specifications to determine if required.
- 2 For heavily loaded rear applications it may be necessary to step down one spring selection in the front to maintain correct rake & expected lift.
- 3 For vehicles fitted with ABS brakes. FK65 fit kit is required for vehicles prior to August 2016 production. For vehicles post August 2016 production refer to PIB No 343 for instructions on adjustment.
- 4 Should the front drive shaft contact the sway bar when the suspension is at full droop, use FK19 Spacer Kit to pack the sway bar down.
- 5 Full OME suspension system must be fitted.

FIT KITS & HARDWARE

Loc	Description	Part Number	Qty	Note
F	STEERING DAMPER	OMESD47		
F	CASTER KIT	OMECA77B	1	1
F	SWAY BAR SPACER KIT	FK19		4
F	TRIM PACKER	OME79PF10	EA	
F	UPGRADED FRONT SWAY BAR	OMESTAB3		
F	ABS WIRE BRACKET KIT	FK65	1	3
F	FRONT AXLE UPGRADE LABEL KIT	FAU701540		5

FRONT SELECTION

6cyl PETROL/ 6Cyl & 4Cyl DIESEL			Part Number	Qty	Note
Estimated Lift 40mm	No Bar	Spring	2856	1	2,3
		Shock - N/Plus	63008	2	
	Bar Only	Spring	2859	1	2,3
		Shock - N/Plus	63008	2	
	Bar/ Winch/ Accessories	Spring	2859	1	2,3
		Shock - N/Plus	63008	2	
	MT64	Shock	MT64601003	2	
	BP-51	Shock	BP5160042	2	
		Fit Kit	VM80010006	1	

- 6 **Caution** when selecting spring 2853. OME recommend this spring when the rear weight is 300kg or less. Cross reference with GVM selection pages.
- 7 OMESD24 - suits 6 Cyl engines
OMESD47 - suits 8 & 4 Cyl engines

FIT KITS & HARDWARE

Loc	Description	Part Number	Qty	Note
F	STEERING DAMPER	OMESD24	1	7
		OMESD47		
F	CASTER KIT	OMECA77B		1
F	SWAY BAR SPACER KIT	FK19		4
F	TRIM PACKER	OME79PF10	EA	
F	ABS WIRE BRACKET KIT	FK65	1	3
F	FRONT AXLE UPGRADE LABEL KIT	FAU701540		5

TOYOTA

LANDCRUISER 79 SERIES SINGLE CAB (Excludes 1GR-FE Models)

GLOBAL

REAR SELECTION

ALL MODELS		Part Number	Qty	Note	
Estimated Lift 45mm	Constant 200kg	Multi Leaf Spring	EL113R	2	1,5,8
		Shock - N/Plus	63010		
		Shock - MT64	MT64601005		
	Constant 400kg	Multi Leaf Spring	EL114R	2	1,5,8 1,5,6,9
		Parabolic Spring	PB007R		
		Shock - N/Plus	63011		
	Constant 600kg	Multi Leaf Spring	EL115R	2	1,5,8 1,5,6,9
		Parabolic Spring	PB008R		
		Shock - N/Plus	63011		
	Constant 800kg	Multi Leaf Spring	EL116R	2	1,2,4,5,8
		Shock - N/Plus	63109		
		Shock - MT64	MT64601008		
		Parabolic Spring	PB009R	2	1,5,6,9
		Shock - N/Plus	63401		
		Shock - MT64	MT64601006		
	Constant 1000kg	Parabolic Spring	PB010R	2	1,5,6,9
		Shock - N/Plus	63401		
		Shock - MT64	MT64601006		
	BP-51	Shock	BP5160028	2	10
		Shock Long	BP5160052		
Fit Kit		VM80010007			
AIR BAG KIT		OMEAB003	1	8,13	
BLUETOOTH CONTROL MODULE		0830002			
LINX PRESSURE CONTROL KIT		7450107			
LINX AIRBAG ISOLATION KIT		7450109			
PURGE CONTROL KIT		OMEABK001			
SPRING BUSH KIT		OMESB101	2	3	
		OMESB84			
		OMESB85			
GREASABLE SHACKLE KIT		OMEGS10	1		
GREASABLE FIXED END PIN KIT		OMEGP7			
U BOLT		OMEU59B	4	2	
		OMEU59C			
		OMEU59D			
		OMEU90			
BRAKE PROPORTIONING VALVE		FK51	1	5	
		FK58			
REAR BRAKE LINE DROP KIT		FK82	1	7	

Comments

- 1 Include tray weight in constant load calculation.
- 2 Use OMEU59C if fitting Extra Leaf to EL116R.
Use OMEU90 for PB007R/8R/9R
Use OMEU59D for PB010R
- 3 OMESB101: Use on original shackles & pins for 79 Series Models from 07/2009 On. OMESB84: Use on original shackles & pins for 79 Series Models To 06/2009. OMESB85: Use for all Models when installing OME greasable shackles & pins.
- 4 OMESTAB9 Sway Bar is highly recommended fitment when 800kg Constant Spring is used. Sway Bar can also be fitted to lighter rated springs to improve road handling. FK76 suits Models with OE axle sway bar mount. FK77 suits Models without OE sway bar provision.
- 5 For vehicles fitted with ABS brakes an ABS Wire Bracket Kit must be fitted. FK51 and FK58 are included in BP-51 Fit Kit. FK51 is for 200kg and 400kg Spring. FK58 is for 600kg and 800kg Spring. Due to Variance in tray clearance on 79 Series please check vehicle before selecting Fit Kit.
- 6 When fitting parabolic springs to a vehicle with a rear sway bar, the mount plate may contact the sway bar & will need to be spaced down with 2 x ELSK06 & 1 x UCB17
- 7 FK82 Rear Brake Line Drop Kit is required to be fitted to vehicles from 10/14 to 08/16.
- 8 Air Bag Kit is **not recommended** for Multi-Leaf Springs.
- 9 Air Bag Kit is a **mandatory** fitment.
- 10 Suits EL116R **Only**.
- 11 Does not suit parabolic leaf springs.
- 12 Refer to **Leaf Spring Service Parts** section for Centre Bolt selection.
- 13 It is highly recommended to check compatibility on vehicles already fitted with aftermarket suspension and/or exhaust systems. For Air Bag Kit details refer to Air Bag Specification sheet at the rear of this guide.

FIT KITS & HARDWARE

Loc	Description	Part Number	Qty	Note
R	SWAY BAR	OMESTAB9	1	4
	SWAY BAR FIT KIT	FK77		
		FK76		
R	EXTRA LEAF	EL14XL	2	11
R	EXTRA LEAF SPACER KIT	ELSK13		
R	CENTRE BOLT		EA	12
R	TRIM PACKER	ELSK06		

FRONT SELECTION

DIESEL ENGINE			Part Number	Qty	Note
Estimated Lift 50mm	No Bar	Leaf Spring	CS006F	2	1,2
		Shock - N/Sport	60009		6
		Shock - N/Plus	63009		
	Bar Only	Leaf Spring	CS007F	2	2
		Shock - N/Plus	63063		
	Bar/ Winch/ Accessories	Leaf Spring	CS007F	2	2
Shock - N/Plus		63063			

Comments

1 Vehicles with no front accessory weight will require the removal of the 4th leaf from the top of the spring stack. This is to maintain good shackle angle by not allowing the bump stop measurement to exceed 100mm.

2 Shackles: FK08 Anti Inversion Kit is **mandatory** fitment front and rear if greasable shackles are not fitted. Note: Spring Caster Wedge OMECW2 (2 degrees Caster Wedges) may be required to restore positive caster angle. Front end alignment check will indicate required adjustment.

3 There can be 2 spigot sizes in the rear fixed end pins on 75 Series LandCruisers. Check for correct size before ordering greasable pins. Part numbers are:
50mm spigot = OMEGP2.
51mm spigot = OMEGP4.

4 Include tray weight in constant load calculation.

5 D16XL is suitable for CS006F.

6 Refer to **Leaf Spring Service Parts** section for Centre Bolt selection.

FRONT SELECTION

PETROL ENGINE			Part Number	Qty	Note
Estimated Lift 50mm	No Bar	Leaf Spring	CS006F	2	1,2
		Shock - N/Sport	60009		6
		Shock - N/Plus	63009		
	Bar Only	Leaf Spring	CS006F	2	2
		Shock - N/Plus	63063		
	Bar/ Winch/ Accessories	Leaf Spring	CS006F	2	2
Shock - N/Plus		63063			

FIT KITS & HARDWARE

Loc	Description	Part Number	Qty	Note
F	U BOLT	OMEU51	4	
F	SPRING BUSH KIT	OMESB1	2	
F	GREASABLE SHACKLE KIT	OMEGS2		
F	SHACKLE FIXED END PIN KIT	OMEGP1	1	
F	STEERING DAMPER	OMESD24		
F	ANTI INVERSION KIT	FK08		2
F	EXTRA LEAF	D16XL	2	5
F	CENTRE BOLT			6

REAR SELECTION

ALL MODELS		Part Number	Qty	Note	
Estimated Lift 50mm	Medium Load	Leaf Spring	CS006R	2	2,4
		Shock - N/Plus	63010		
	Constant 400kg	Leaf Spring	CS007R	2	2,4
		Shock - N/Plus	63011		
	Constant 600kg	Leaf Spring	CS008R	2	2,4
		Shock - N/Plus	63011		
	SPRING BUSH KIT		OMESB16	2	
	U BOLT		OMEU59B	4	
	GREASABLE SHACKLE KIT		OMEGS1	1	3
	SHACKLE FIXED END PIN KIT		OMEGP2		
		OMEGP4			

FIT KITS & HARDWARE

Loc	Description	Part Number	Qty	Note
R	ANTI INVERSION KIT	FK08	1	2
R	EXTRA LEAF	D25XL	2	
R	CENTRE BOLT			6

Comments

1 Vehicles with no front accessory weight will require the removal of the 4th leaf from the top of the spring stack. This is to maintain good shackle angle by not allowing the bump stop measurement to exceed 100mm.

2 Shackles: FK08 Anti Inversion Kit is **mandatory** fitment front and rear if greasable shackles are not fitted. Note: Spring Caster Wedge OMECW2 (2 degrees Caster Wedges) may be required to restore positive caster angle. Front end alignment check will indicate required adjustment.

3 There can be 2 spigot sizes in the rear fixed end pins on 75 Series LandCruisers. Check for correct size before ordering greasable pins. Part numbers are:
50mm spigot = OMEGP2.
51mm spigot = OMEGP4.

4 Include tray weight in constant load calculation.

5 D16XL is suitable for CS006F.

6 Refer to **Leaf Spring Service Parts** section for Centre Bolt selection.

FRONT SELECTION

4.2 DIESEL ENGINE			Part Number	Qty	Note
Est Lift 50mm	No Bar	Spring	2856	1	
		Shock - N/Plus	63008	2	
	Bar Only	Spring	2859	1	
		Shock - N/Plus	63008	2	
	Bar/ Winch/ Accessories	Spring	2859	1	
		Shock - N/Plus	63008	2	

Comments

- 1 OMECA77B Caster Kit will increase caster angle by 3 degrees. Check manufacturer's specifications to determine if required.
- 2 If rear bump stop measurements exceed 150mm remove 3rd leaf.
- 3 OME greasable shackles OMEGS10 & greasable shackle fixed end pin kit OMEGP7 are **mandatory** fitment. OE shackles cannot be used.
- 4 D2XL extra leaf and UCB2 centre bolt is suitable for CS004RB spring.
- 5 Refer to **Leaf Spring Service Parts** section for Centre Bolt selection.

FIT KITS & HARDWARE

Loc	Description	Part Number	Qty	Note
F	STEERING DAMPER	OMESD24	1	
F	CASTER KIT	OMECA77B		1

REAR SELECTION

ALL MODELS			Part Number	Qty	Note
Estimated Lift 60mm	Medium Load	Leaf Spring	CS017RB		2,3
		Shock - N/Sport	60044	2	
		Shock - N/Plus	63044		
	Constant 250kg	Leaf Spring	CS004RB		2,3,4
		Shock - N/Sport	60044	2	
		Shock - N/Plus	63044		
		SPRING BUSH KIT	OMESB93	2	
		U BOLT	OMEU59A	4	
		GREASABLE SHACKLE KIT	OMEGS10	1	3
		SHACKLE FIXED END PIN KIT	OMEGP7		

FIT KITS & HARDWARE

Loc	Description	Part Number	Qty	Note
R	EXTRA LEAF	D2XL	2	4
R	CENTRE BOLT			4,5

FRONT SELECTION

ALL MODELS			Part Number	Qty	Note
Estimated Lift 30mm	No Bar	Spring	2872	1	
		Shock - N/Sport	60089	2	
		Shock - N/Plus	63089		
	Bar Only	Spring	2874	1	
		Shock - N/Sport	60089	2	
		Shock - N/Plus	63089		
	Bar/ Winch/ Accessories	Spring	2874	1	
		Shock - N/Sport	60089	2	
		Shock - N/Plus	63089		

REAR SELECTION

ALL MODELS			Part Number	Qty	Note
Est Lift 40mm	Medium Load	Spring	2873	1	
		Shock - N/Plus	63090	2	
	Constant 100kg	Spring	2875	1	
		Shock - N/Plus	63090	2	

TOYOTA

BUNDERA RJ70 11/1984-1990

GLOBAL

FRONT SELECTION - Estimated Lift 40mm

ALL MODELS		Part Number	Qty	Note
No Bar	Spring	2870	1	
	Shock - N/Sport	60094	2	
Bar Only	Spring	2876	1	
	Shock - N/Sport	60094	2	
Bar/ Winch/ Accessories	Spring	2876	1	
	Shock - N/Sport	60094	2	

Comments

- 1 60095 fits left hand side.
- 60096 fits right hand side.

REAR SELECTION - Estimated Lift 50mm

ALL MODELS		Part Number	Qty	Note
Medium Load	Spring	2871	1	
	Shock - N/Sport	60095 / 60096	1+1	1

FRONT SELECTION

PETROL & DIESEL ENGINES		Part Number	Qty	Note	
Estimated Lift 50mm	No Bar	Leaf Spring	CS006F	2	1,3
		Shock - N/Sport	60009		
		Shock - N/Plus	63009		
	Bar Only	Leaf Spring	CS006F	2	1,3
		Shock - N/Sport	60009		
		Shock - N/Plus	63009		
	Bar/ Winch/ Accessories	Leaf Spring	CS006F	2	1,3
		Shock - N/Sport	60009		
		Shock - N/Plus	63009		
	SPRING BUSH KIT		OMESB1	2	
	U BOLT		OMEU51	4	
	GREASABLE SHACKLE KIT		OMEGS2	1	
SHACKLE FIXED END PIN KIT		OMEGP1			

FIT KITS & HARDWARE

Loc	Description	Part Number	Qty	Note
F	STEERING DAMPER	OMESD24	1	3
F	ANTI INVERSION KIT	FK08		

REAR SELECTION

ALL MODELS		Part Number	Qty	Note	
Estimated Lift 50mm	Medium Load	Leaf Spring	CS017RA/B	1+1	3
		Shock - N/Plus	63062	2	
	Constant 200kg	Leaf Spring	CS004RA/B	1+1	2,3,5
		Shock - N/Plus	63062	2	
	SPRING BUSH KIT		OMESB1	2	
	U BOLT		OMEU59A	4	
	GREASABLE SHACKLE KIT		OMEGS2	1	4
	SHACKLE FIXED END PIN KIT		OMEGP2		
			OMEGP4		

FIT KITS & HARDWARE

Loc	Description	Part Number	Qty	Note
R	ANTI INVERSION KIT	FK08	1	3
R	EXTRA LEAF	D2XL	2	5
R	CENTRE BOLT			5,6

Comments

1 Vehicles with no front accessory weight will require the removal of the 4th leaf from the top of the spring stack. This is to maintain good shackle angle by not allowing the bump stop measurement to exceed 100mm.

2 If bump stop measurement exceeds 150 - 160mm remove 3rd leaf from top of spring stack to prevent shock absorber from topping out.

3 Shackles: FK08 Anti Inversion Kit is **mandatory** fitment front and rear if greasable shackles are not fitted. Note: Spring Caster Wedge OMECW2 (2 degrees Caster Wedges) may be required to restore positive caster angle. Front end alignment check will indicate required adjustment.

4 There can be 2 spigot sizes of the rear fixed end pins. Check spigot size before ordering greasable pins.

50mm spigot = OMEGP2
51mm spigot = OMEGP4

5 D2XL extra leaf and UCB2 centre bolt are suitable for CS004RA/B springs.

6 Refer to **Leaf Spring Service Parts** section for Centre Bolt selection.

FRONT SELECTION

DIESEL ENGINE			Part Number	Qty	Note
Estimated Lift 50mm	No Bar	Leaf Spring	CS004F	2	1,2,7
		Shock - N/Sport	60009		
		Shock - N/Plus	63009		
	Bar Only	Leaf Spring	CS005F	2	1,2
		Shock - N/Plus	63063		
		Bar/ Winch/ Accessories	Leaf Spring	CS005F	2
		Shock - N/Plus	63063		

Comments

1 Front bump stop measurement **must** not exceed 100mm to ensure good shackle angle. To reduce bump stop gap, remove the 4th leaf from the top of the spring. OMECW2 Caster Wedge Kit may be required to restore correct caster angle.

2 Shackles: FK08 Anti Inversion Kit is **mandatory** fitment if greasable shackles are not fitted. Refer OME Technical & Fitting Manual.

3 Post 1986 vehicles have a 19mm mounting pin and suit shock part no's 60062 & 60065. Pre 1986 vehicles have a 16mm mounting pin and suit shock part no's 60032 & 60064.

4 Fitting Kit is only required on vehicles with rubber insulators around rear springs. Refer OME Technical & Fitting Manual Section 7 GFI: LandCruiser 60 Series page 7 selection chart.

5 Barn door Models may require A/A or B/B spring fitment.

6 D1XL only suitable for CS003F & CS004F. D2XL only suitable for CS004RA/B & CS005RA/B

7 Refer to **Leaf Spring Service Parts** section for Centre Bolt selection.

FRONT SELECTION

PETROL ENGINE			Part Number	Qty	Note
Estimated Lift 50mm	No Bar	Leaf Spring	CS003F	2	1,2,7
		Shock - N/Sport	60009		
		Shock - N/Plus	63009		
	Bar Only	Leaf Spring	CS004F	2	1,2,7
		Shock - N/Plus	63063		
		Bar/ Winch/ Accessories	Leaf Spring	CS004F	2
		Shock - N/Plus	63063		

FIT KITS & HARDWARE

Loc	Description	Part Number	Qty	Note
F	SPRING BUSH KIT	OMESB1	2	
F	U BOLT	OMEU51	4	
F	GREASABLE SHACKLE KIT	OMEGS2	1	
F	SHACKLE FIXED END PIN KIT	OMEGP1		
F	STEERING DAMPER	OMESD24		
F	ANTI INVERSION KIT	FK08		2
F	EXTRA LEAF	D1XL	2	6
F	CENTRE BOLT			

REAR SELECTION

ALL MODELS		Part Number	Qty	Note	
Estimated Lift 50mm	Light Load	Leaf Spring	CS017RA/B	1+1	2,5
		Shock - N/Sport	60032	2	3
		Shock - N/Plus	63062		
	Medium Load	Leaf Spring	CS004RA/B	1+1	2,5,6
		Shock - N/Sport	*60064 / 60032	2	3
		Shock - N/Plus	*63064 / 63032		
		Shock - N/Plus	*63065 / 63062	1	4
		Fitting Kit	FK0422		
	Fitting Kit	FK0411			
	Constant 200kg	Leaf Spring	CS005RA/B	1+1	2,5,6
		Shock - N/Sport	60064	2	3
		Shock - N/Plus	63064		
		Shock - N/Plus	63065	1	4
	Fitting Kit	FK0418			
	SPRING BUSH KIT		OMESB1	2	
U BOLT		OMEU59B	4		
GREASABLE SHACKLE KIT		OMEGS1	1		
SHACKLE FIXED END PIN KIT		OMEGP1			

Comments

1 Front bump stop measurement **must** not exceed 100mm to ensure good shackle angle. To reduce bump stop gap, remove the 4th leaf from the top of the spring. OMECW2 Caster Wedge Kit may be required to restore correct caster angle.

2 Shackles: FK08 Anti Inversion Kit is **mandatory** fitment if greasable shackles are not fitted. Refer OME Technical & Fitting Manual.

3 Post 1986 vehicles have a 19mm mounting pin and suit shock part no's 60062 & 60065. Pre 1986 vehicles have a 16mm mounting pin and suit shock part no's 60032 & 60064.

4 Fitting Kit is only required on vehicles with rubber insulators around rear springs. Refer OME Technical & Fitting Manual Section 7 GFI: LandCruiser 60 Series page 7 selection chart.

5 Barn door Models may require A/A or B/B spring fitment.

6 D1XL only suitable for CS003F & CS004F. D2XL only suitable for CS004RA/B & CS005RA/B.

7 Refer to **Leaf Spring Service Parts** section for Centre Bolt selection.

FIT KITS & HARDWARE

Loc	Description	Part Number	Qty	Note
R	ANTI INVERSION KIT	FK08	1	2
R	EXTRA LEAF	D2XL	2	6
R	CENTRE BOLT			7

TOYOTA

LANDCRUISER 45 & 47 SERIES

GLOBAL

FRONT SELECTION

PETROL & DIESEL ENGINES			Part Number	Qty	Note
Estimated Lift 35mm	No Bar	Leaf Spring	CS001F	2	1,2
		Shock - N/Sport	60097		
		Shock - N/Plus	63097		
	Bar Only	Leaf Spring	CS002F	2	1,2
		Shock - N/Sport	60097		
		Shock - N/Plus	63097		
	Bar/ Winch/ Accessories	Leaf Spring	CS002F	2	1,2
		Shock - N/Sport	60097		
		Shock - N/Plus	63097		

Comments

- 1 FK08 Anti Inversion Kit is **mandatory** fitment front and rear if greasable shackles are not fitted.
- 2 Include tray weight in constant load calculation. Remove 3rd leaf from CS003R spring stack to reduce spring rate for light duty applications.
- 3 Refer to **Leaf Spring Service Parts** section for Centre Bolt selection.

FIT KITS & HARDWARE

Loc	Description	Part Number	Qty	Note
F	SPRING BUSH KIT	SEE CHART BELOW	2	
F	U BOLT - 25mm Eye Spring	OMEU59A	3	
		OMEU59B	1	
F	U BOLT - 35mm Eye Spring	OMEU59A	3	
		OMEU55	1	
F	GREASABLE SHACKLE KIT	SEE CHART BELOW		
F	STEERING DAMPER	OMESD23	1	
F	ANTI INVERSION KIT	FK08		1
F	EXTRA LEAF	D3XL	2	
F	CENTRE BOLT			3

GREASABLE SHACKLES & BUSH KITS

FRONT	KIT PART NO.	QTY	COMPATIBLE BUSH KIT	QTY
18mm Shackle Pins & 35mm Hanger Bracket	OMEGS2	1	OMESB1	2
	OMEGP1			
15mm Shackle Pins & 25mm Hanger Bracket	OMEGS8	1	OMESB30	2
	OMEGP8			

REAR SELECTION

ALL MODELS		Part Number	Qty	Note	
Est Lift 50mm	Medium Load	Leaf Spring	CS003R	1,2	
		Shock - N/Sport	60032	2	
		Shock - N/Plus	63032		
	Constant 400kg	Leaf Spring	CS003R	1,2	
		Shock - N/Sport	60064	2	
		Shock - N/Plus	63064		
	SPRING BUSH KIT		TABLE BELOW	2	
	U BOLT		OMEU59B	4	
GREASABLE SHACKLE KIT		TABLE BELOW	1		

FIT KITS & HARDWARE

Loc	Description	Part Number	Qty	Note
F	TRIM PACKER	TP02	EA	
F	ANTI INVERSION KIT	FK08	1	
F	EXTRA LEAF	D8XL	2	1
F	CENTRE BOLT			3

GREASABLE SHACKLES & BUSH KITS

REAR	KIT PART NO.	QTY	COMPATIBLE BUSH KIT	QTY
18mm Shackle Pins & 30mm Hanger Bracket	OMEGS17	1	OMESB79	2
	*GSP02	2		
15mm Shackle Pins & 25mm Hanger Bracket	OMEGS9	1	OMESB30	2
	OMEGP8			

* GSP02 is only a greasable pin replacement for original pin.

TOYOTA

LANDCRUISER 40, 42 SERIES SWB

GLOBAL

FRONT SELECTION

PETROL & DIESEL ENGINES		Part Number	Qty	Note	
Estimated Lift 35mm	No Bar	Leaf Spring	CS001F	2	
		Shock - N/Sport	60097	2	
		Shock - N/Plus	63097		
	Bar Only	Leaf Spring	CS002F	2	
		Shock - N/Sport	60097	2	
		Shock - N/Plus	63097		
	Bar/ Winch/ Accessories	Leaf Spring	CS002F	2	
		Shock - N/Sport	60097	2	
		Shock - N/Plus	63097		
	SPRING BUSH KIT		OMESB30	2	1
			OMESB1		
	U BOLT - 25mm Eye Spring		OMEU59A	3	
		OMEU59B	1		
U BOLT - 35mm Eye Spring		OMEU59A	3		
		OMEU55	1		
GREASABLE SHACKLE KIT		TABLE BELOW	1		

Comments

- 1** OMESB30 suits 35mm spring eye and 25mm hanger bracket with 15mm shackle pin hole.
OMESB1 suits 35mm spring eye and hanger bracket with 18mm shackle pin hole.
- 2** FK08 Anti Inversion Kit is mandatory fitment front and rear if greasable shackles are not fitted.
- 3** 1975 and newer FJ 40's may need to use N76 shocks in the rear:
Pre 1975 shock eye in the top of the axle housing: Use 60032 / 60064
Post 1975 lower shock eye is below leaf spring: Use N76 with OMEB11 Bush Kit
- 4** Refer to **Leaf Spring Service Parts** section for Centre Bolt selection.

FIT KITS & HARDWARE

Loc	Description	Part Number	Qty	Note
F	STEERING DAMPER	OMESD23	1	
F	ANTI INVERSION KIT	FK08		2
F	EXTRA LEAF	D3XL	2	
F	CENTRE BOLT			4

GREASABLE SHACKLES & BUSH KITS

FRONT	KIT PART NO.	QTY	COMPATIBLE BUSH KIT	QTY
18mm Shackle Pin	OMEGS2	1	OMESB1	2
	OMEGP1			
15mm Shackle Pin	OMEGS8	1	OMESB30	2
	OMEGP8			

REAR SELECTION

ALL MODELS		Part Number	Qty	Note	
Estimated Lift 50mm	Medium Load	Leaf Spring	CS001R	3	
		Shock - N/Sport	60032	2	
		Shock - N/Plus	63032		
	Constant 150kg	Leaf Spring	CS002R	2	2,3
		Shock - N/Sport	*60064 / 60032		
		Shock - N/Plus	*63064 / 63032		
	U BOLT		OMEU59A	4	
	SPRING BUSH KIT		OMESB30	2	1
		OMESB1			
GREASABLE SHACKLE KIT		SEE CHART BELOW	1		

Comments

- 1** OMESB30 suits 35mm spring eye and 25mm hanger bracket with 15mm shackle pin hole.
OMESB1 suits 35mm spring eye and hanger bracket with 18mm shackle pin hole.
- 2** FK08 Anti Inversion Kit is mandatory fitment front and rear if greasable shackles are not fitted.
- 3** 1975 and newer FJ 40's may need to use N76 shocks in the rear:
Pre 1975 shock eye in the top of the axle housing: Use 60032 / 60064
Post 1975 lower shock eye is below leaf spring: Use N76 with OMEB11 Bush Kit
- 4** Refer to **Leaf Spring Service Parts** section for Centre Bolt selection.

FIT KITS & HARDWARE

Loc	Description	Part Number	Qty	Note
R	ANTI INVERSION KIT	FK08	1	2
R	EXTRA LEAF	D4XL	2	4
R	CENTRE BOLT			

GREASABLE SHACKLES & BUSH KITS

REAR	KIT PART NO.	QTY	COMPATIBLE BUSH KIT	QTY
18mm Shackle Pin	OMEGS2	1	OMESB1	2
	OMEGP1			
15mm Shackle Pin	OMEGS9	1	OMESB30	2
	OMEGP8			

FRONT SELECTION

2.8L TURBO DIESEL			Part Number	Qty	Note
Est Lift 50mm	Nitro +	Spring	4056	1	
		Strut	93054	2	4
		Strut - HVY	93055*		
	MT64	Spring	4061	1	
		Strut	MT64901025	2	4
	BP-51	Strut - Left	BP5190032L	1+1	
		Strut - Right	BP5190032R		
		Fit Kit	VM80010091	1	

Comments

1. **Mandatory** fitment with Nitrocharger Plus. Does not suit Nitrocharger Sport.
2. **Mandatory** with fitment of Nitrocharger Plus or MT64
3. **Mandatory** fitment
4. No top bushes supplied, re-use OE.

FIT KITS & HARDWARE

Loc	Description	Part Number	Qty	Note
F	NITRO+ ADAPTER KIT	FK139	1	1
F	UPPER CONTROL ARM	UCA0021		

REAR SELECTION

WAGON MODELS			Part Number	Qty	Note
Estimated Lift 40mm	Medium Load	Spring	3342	1	
		Shock - N/Plus	63176	2	
		Shock - MT64	MT64601041		
	Constant 200kg	Spring	3339	1	
		Shock - N/Plus	63177* / 63176	2	
		Shock - MT64	MT64601041		
		Shock - MT64	MT64601042*		
	Constant 400kg	Spring	3343	1	
		Shock - N/Plus	63177*	2	
		Shock - MT64	MT64601042*		
	BP-51	Shock	BP5160070	2	
		Fit Kit	VM80010092	1	

FIT KITS & HARDWARE

Loc	Description	Part Number	Qty	Note
R	Brake Line Spacer Kit	FK134	1	3
R	Sway Bar Bracket Kit	FK137		2

TOYOTA

PRADO 150 WAGON SERIES 10/17 ON
(EXCLUDES KAKADU MODEL)

GLOBAL

FRONT SELECTION

2.8L & 3.0L DIESEL ENGINE		Part Number	Qty	Note	
Estimated Lift 40mm	Springs	No Accessories	4007	1 2,5,7,8	
		Light Bull Bar	4007		
		Steel Bull Bar	4002		
		Bar + Winch	4002		
		Bar + Winch + Acc	4002		
	Nitro +	Strut	93010	2	1,6
	MT64	Strut	MT64901007	2	1,6
	BP-51 NO KDSS	Strut - LH	BP5190002L	1+1	
		Strut - RH	BP5190002R		
		Fit Kit	VM80010008		
	BP-51 SUITS KDSS	Strut - LH	BP5190004L	1+1	2
		Strut - RH	BP5190002R		
		Fit Kit	VM80010009		

Comments

1 No top mounting bushes supplied use OME3133. OE bushes may be re-used if on good condition.

2 For fitment to Models with Toyota's KDSS (Kinetic Dynamic Suspension System) fitted excluding Kakadu Models, please refer to OME's Fitting Hints & Tips (OME Bulletin 70 LC200 KDSS Fitting Hints).

3 Strut Top Hat Kit may be required if original equipment is worn.

4 The OME Upper Control Arm will provide an increase between +2.5 and +3.5 degrees of caster and up to 1.5 degrees of negative camber increase (figures based off an approximate 50mm lift). Please note after fitment of Upper Control Arm a vehicle wheel alignment will be required.

5 Front coils can go into Kakadu OE Strut, no option for rear. Use to correct front trimming/weight issues to regain height.

6 Does not suit OE coil.

7 Refer to fitting instruction in shock box for spring seat spacer setup

8 For spring seat position refer to below.
No Accessories - 10mm
Light Bar - 15mm
Steel Bar - 10mm
Bar + Winch - 15mm
Bar + Winch + Acc - 20mm

FRONT SELECTION

2.8L & 3.0L DIESEL ENGINE		Part Number	Qty	Note	
Estimated Lift 20mm	Springs	No Accessories	4026	1 2,5,7,8	
		Light Bull Bar	4026		
		Steel Bull Bar	4005		
		Bar + Winch	4005		
		Bar + Winch + Acc	4005		
	Nitro +	Strut	93010	2	1,6
	MT64	Strut	MT64901007	2	1,6
	BP-51 NO KDSS	Strut - LH	BP5190002L	1+1	
		Strut - RH	BP5190002R		
		Fit Kit	VM80010008		
	BP-51 SUITS KDSS	Strut - LH	BP5190004L	1+1	
		Strut - RH	BP5190002R		
		Fit Kit	VM80010009		

FIT KITS & HARDWARE

Loc	Description	Part Number	Qty	Note
F	UPPER CONTROL ARM	UCA0004	1	4
F	UPPER STRUT BUSHES	OME3133	2	1
F	STRUT TOP HAT KIT	OMETH002		3

SERVICE PARTS

Description	Part #	Qty	Note
OME UCA Eye Bush 2pk	UCASP010	1	
OME UCA Ball Joint 1pk	UCASP002	EA	
OME UCA Boot 2pk	UCASP011	1	

TOYOTA

PRADO 150 WAGON SERIES 10/17 ON
(EXCLUDES KAKADU MODEL)

GLOBAL

FRONT SELECTION

V6 4.0L PETROL ENGINE		Part Number	Qty	Note	
Estimated Lift 40mm	Springs	No Accessories	4005	1 2,5,7	
		Light Bull Bar	4005		
		Steel Bull Bar	4000		
		Bar + Winch	4000		
		Bar + Winch + Acc	4000		
	Nitro +	Strut	93010	2	1,6
	MT64	Strut	MT64901007	2	1,6
	BP-51 NO KDSS	Strut - LH	BP5190002L	1+1	
		Strut - RH	BP5190002R		
		Fit Kit	VM80010008		1
	BP-51 SUITS KDSS	Strut - LH	BP5190004L	1+1	
		Strut - RH	BP5190002R		
Fit Kit		VM80010009	1		

Comments

- 1** No top mounting bushes supplied use OME3133. OE bushes may be re-used if on good condition.
- 2** For fitment to Models with Toyota's KDSS (Kinetic Dynamic Suspension System) fitted excluding Kakadu Models, please refer to OME's Fitting Hints & Tips (OME Bulletin 70 LC200 KDSS Fitting Hints).
- 3** Strut Top Hat Kit may be required if original equipment is worn.
- 4** The OME Upper Control Arm will provide an increase between +2.5 and +3.5 degrees of caster and up to 1.5 degrees of negative camber increase (figures based off an approximate 50mm lift). Please note after fitment of Upper Control Arm a vehicle wheel alignment will be required.
- 5** Front coils can go into Kakadu OE Strut, no option for rear. Use to correct front trimming/weight issues to regain height.
- 6** Does not suit OE coil.
- 7** For spring seat position refer to below.
No Accessories - 10mm
Light Bar - 15mm
Steel Bar - 10mm
Bar + Winch - 15mm
Bar + Winch + Acc - 20mm

FRONT SELECTION

V6 4.0L PETROL ENGINE		Part Number	Qty	Note	
Estimated Lift 20mm	Springs	No Accessories	4018	1 2,5,7	
		Light Bull Bar	4018		
		Steel Bull Bar	4001		
		Bar + Winch	4001		
		Bar + Winch + Acc	4001		
	Nitro +	Strut	93010	2	1,6
	MT64	Strut	MT64901007	2	1,6
	BP-51 NO KDSS	Strut - LH	BP5190002L	1+1	
		Strut - RH	BP5190002R		
		Fit Kit	VM80010008		1
	BP-51 SUITS KDSS	Strut - LH	BP5190004L	1+1	
		Strut - RH	BP5190002R		
Fit Kit		VM80010009	1		

FIT KITS & HARDWARE

Loc	Description	Part Number	Qty	Note
F	UPPER CONTROL ARM	UCA0004	1	4
F	UPPER STRUT BUSHES	OME3133	2	1
F	STRUT TOP HAT KIT	OMETH002		3

SERVICE PARTS

Description	Part #	Qty	Note
OME UCA Eye Bush 2pk	UCASP010	1	
OME UCA Ball Joint 1pk	UCASP002	EA	
OME UCA Boot 2pk	UCASP011	1	

TOYOTA

PRADO 150 WAGON SERIES 10/17 ON
(EXCLUDES KAKADU MODEL)

GLOBAL

REAR SELECTION

WAGON MODELS			Part Number	Qty	Note
Estimated Lift 40mm	Medium Load	Spring	2889	1	2
		Shock - N/Plus	63080	2	
		Shock - MT64	MT64601009		
	Constant 200kg	Spring	2898	1	2
		Shock - N/Plus	*63081 / 63080	2	
		Shock - MT64	MT64601009		
	Shock - MT64	*MT64601010			
	Constant 400kg	Spring	2899	1	2
		Shock - N/Plus	63081	2	
		Shock - MT64	MT64601010		
	BP-51	Shock	BP5160025	2	
		Fit Kit	VM80010010	1	

Comments

1 OME661/ FK124 Lower Shock Mount Stone Guard is recommended fitment to rear shocks to protect against severe stone peppering encountered on loose road surfaces.

2 For fitment to Models with Toyota's KDSS (Kinetic Dynamic Suspension System) fitted excluding Kakadu Models, please refer to OME's Fitting Hints & Tips (OME Bulletin 70 LC200 KDSS Fitting Hints).

REAR SELECTION

WAGON MODELS			Part Number	Qty	Note
Estimated Lift 20mm	Medium Load	Spring	2895E	1	2
		Shock - N/Plus	63080	2	
		Shock - MT64	MT64601009		
	Constant 200kg	Spring	2895	1	2
		Shock - N/Plus	*63081 / 63080	2	
		Shock - MT64	MT64601009		
	Shock - MT64	*MT64601010			
	Constant 400kg	Spring	2896	1	2
		Shock - N/Plus	63081	2	
		Shock - MT64	MT64601010		
	BP-51	Shock	BP5160025	2	
		Fit Kit	VM80010010	1	

FIT KITS & HARDWARE

Loc	Description	Part Number	Qty	Note
R	TRIM PACKER	OME150PR10	EA	
R	STONE GUARD KIT	OME661	2	1
		FK124		

TOYOTA

PRADO 150 WAGON SERIES TO 09/17
(EXCLUDES KAKADU MODEL)

GLOBAL

FRONT SELECTION

2.8L & 3.0L DIESEL ENGINE		Part Number	Qty	Note	
Estimated Lift 50mm	Springs	No Accessories	4005	1 2,5,7	
		Light Bull Bar	4005		
		Steel Bull Bar	4000		
		Bar + Winch	4000		
		Bar + Winch + Acc	4000		
	Nitro +	Strut	93010	2	1,6
	MT64	Strut	MT64901007	2	1,6
	BP-51 NO KDSS	Strut - LH	BP5190002L	1+1	
		Strut - RH	BP5190002R		
		Fit Kit	VM80010008		1
	BP-51 SUITS KDSS	Strut - LH	BP5190004L	1+1	
		Strut - RH	BP5190002R		
		Fit Kit	VM80010009		1

Comments

- 1** No top mounting bushes supplied use OME3133. OE bushes may be re-used if on good condition.
- 2** For fitment to Models with Toyota's KDSS (Kinetic Dynamic Suspension System) fitted excluding Kakadu Models, please refer to OME's Fitting Hints & Tips (OME Bulletin 70 LC200 KDSS Fitting Hints).
- 3** When 2883 is fitted to Petrol Model, ride height increase will be approximately 40mm.
- 4** The OME Upper Control Arm will provide an increase between +2.5 and +3.5 degrees of caster and up to 1.5 degrees of negative camber increase (figures based off an approximate 50mm lift). Please note after fitment of Upper Control Arm a vehicle wheel alignment will be required.
- 5** Strut Top Hat Kit may be required if original equipment is worn.
- 6** Does not suit OE coil.
- 7** For spring seat position refer to below.
No Accessories - 10mm
Light Bar - 15mm
Steel Bar - 10mm
Bar + Winch - 15mm
Bar + Winch + Acc - 20mm

FRONT SELECTION

2.8L & 3.0L DIESEL ENGINE		Part Number	Qty	Note	
Estimated Lift 30mm	Springs	No Accessories	4018	1 2,5,7	
		Light Bull Bar	4018		
		Steel Bull Bar	4001		
		Bar + Winch	4001		
		Bar + Winch + Acc	4001		
	Nitro +	Strut	93010	2	1,6
	MT64	Strut	MT64901007	2	1,6
	BP-51 NO KDSS	Strut - LH	BP5190002L	1+1	
		Strut - RH	BP5190002R		
		Fit Kit	VM80010008		1
	BP-51 SUITS KDSS	Strut - LH	BP5190004L	1+1	
		Strut - RH	BP5190002R		
		Fit Kit	VM80010009		1

FIT KITS & HARDWARE

Loc	Description	Part Number	Qty	Note
F	UPPER CONTROL ARM	UCA0004	1	4
F	UPPER STRUT BUSHES	OME3133	2	1
F	STRUT TOP HAT KIT	OMETH002		5

SERVICE PARTS

Description	Part #	Qty	Note
OME UCA Eye Bush 2pk	UCASP010	1	
OME UCA Ball Joint 1pk	UCASP002	EA	
OME UCA Boot 2pk	UCASP011	1	

TOYOTA

PRADO 150 WAGON SERIES TO 09/17
(EXCLUDES KAKADU MODEL)

GLOBAL

FRONT SELECTION

V6 4.0L PETROL ENGINE		Part Number	Qty	Note	
Estimated Lift 50mm	Springs	No Accessories	4026	1 2,7	
		Light Bull Bar	4026		
		Steel Bull Bar	4005		
		Bar + Winch	4005		
		Bar + Winch + Acc	4005		
	Nitro +	Strut	93010	2	1,5,6
	MT64	Strut	MT64901007	2	1,5,6
	BP-51 NO KDSS	Strut - LH	BP5190002L	1+1	
		Strut - RH	BP5190002R		
		Fit Kit	VM80010008		1
BP-51 SUITS KDSS	Strut - LH	BP5190004L	1+1		
	Strut - RH	BP5190002R			
	Fit Kit	VM80010009		1	

Comments

- 1** No top mounting bushes supplied use OME3133. OE bushes may be re-used if on good condition.
- 2** For fitment to Models with Toyota's KDSS (Kinetic Dynamic Suspension System) fitted excluding Kakadu Models, please refer to OME's Fitting Hints & Tips (OME Bulletin 70 LC200 KDSS Fitting Hints).
- 3** When 2883 is fitted to Petrol Model, ride height increase will be approximately 40mm.
- 4** The OME Upper Control Arm will provide an increase between +2.5 and +3.5 degrees of caster and up to 1.5 degrees of negative camber increase (figures based off an approximate 50mm lift). Please note after fitment of Upper Control Arm a vehicle wheel alignment will be required.
- 5** Strut Top Hat Kit may be required if original equipment is worn.
- 6** Does not suit OE coil.
- 7** For spring seat position refer to below.
No Accessories - 10mm
Light Bar - 15mm
Steel Bar - 10mm
Bar + Winch - 15mm
Bar + Winch + Acc - 20mm

FRONT SELECTION

V6 4.0L PETROL ENGINE		Part Number	Qty	Note	
Estimated Lift 30mm	Springs	No Accessories	4018	1 2,8	
		Light Bull Bar	4018		
		Steel Bull Bar	4001		
		Bar + Winch	4001		
		Bar + Winch + Acc	4001		
	Nitro +	Strut	93010	2	1,5,6
	MT64	Strut	MT64901007	2	1,5,6
	BP-51 NO KDSS	Strut - LH	BP5190002L	1+1	
		Strut - RH	BP5190002R		
		Fit Kit	VM80010008		1
BP-51 SUITS KDSS	Strut - LH	BP5190004L	1+1		
	Strut - RH	BP5190002R			
	Fit Kit	VM80010009		1	

FIT KITS & HARDWARE

Loc	Description	Part Number	Qty	Note
F	UPPER CONTROL ARM	UCA0004	1	4
F	UPPER STRUT BUSHES	OME3133	2	1
F	STRUT TOP HAT KIT	OMETH002		5

SERVICE PARTS

Description	Part #	Qty	Note
OME UCA Eye Bush 2pk	UCASP010	1	
OME UCA Ball Joint 1pk	UCASP002	EA	
OME UCA Boot 2pk	UCASP011	1	

TOYOTA

PRADO 150 WAGON SERIES TO 09/17
(EXCLUDES KAKADU MODEL)

GLOBAL

REAR SELECTION

WAGON MODELS		Part Number	Qty	Note
Estimated Lift 50mm	Medium Load	Spring	2889	1 2
		Shock - N/Plus	63080	2
		Shock - MT64	MT64601009	
	Constant 200kg	Spring	2898	1 2
		Shock - N/Plus	*63081 / 63080	
		Shock - MT64	MT64601009	2
		Shock - MT64	*MT64601010	
	Constant 400kg	Spring	2899	1 2
		Shock - N/Plus	63081	2
		Shock - MT64	MT64601010	
	BP-51	Shock	BP5160025	2
		Fit Kit	VM80010010	1

Comments

1 OME661/ FK124 Lower Shock Mount Stone Guard is recommended fitment to rear shocks to protect against severe stone peppering encountered on loose road surfaces.

2 For fitment to Models with Toyota's KDSS (Kinetic Dynamic Suspension System) fitted excluding Kakadu Models, please refer to OME's Fitting Hints & Tips (OME Bulletin 70 LC200 KDSS Fitting Hints).

REAR SELECTION

WAGON MODELS		Part Number	Qty	Note
Estimated Lift 20mm	Medium Load	Spring	2895E	1 2
		Shock - N/Plus	63080	2
		Shock - MT64	MT64601009	
	Constant 200kg	Spring	2895	1 2
		Shock - N/Plus	*63081 / 63080	
		Shock - MT64	MT64601009	2
		Shock - MT64	*MT64601010	
	Constant 400kg	Spring	2896	1 2
		Shock - N/Plus	63081	2
		Shock - MT64	MT64601010	
	BP-51	Shock	BP5160025	2
		Fit Kit	VM80010010	1

FIT KITS & HARDWARE

Loc	Description	Part Number	Qty	Note
R	TRIM PACKER	OME150PR10	EA	
R	STONE GUARD KIT	OME661		1
		FK124	2	

FRONT SELECTION

3.0L DIESEL ENGINE			Part Number	Qty	Note
Estimated Lift 40mm	Springs	No Accessories	4026	1	1,6
		Light Bull Bar	4026		
		Steel Bull Bar	4005		
		Bar + Winch	4005		
		Bar + Winch + Acc	4005		
	Nitro +	Strut	93010	2	2,4
MT64	Strut	MT64901007	2	2,4	

Comments

- 1** No top mounting bushes supplied use OME3133. OE bushes may be re-used if in good condition.
- 2** OME661/ FK124 Lower Shock Mount Stone Guard is recommended fitment to rear shocks to protect against severe stone pepping encountered on loose road surfaces.
- 3** Strut Top Hat Kit may be required if original equipment is worn.
- 4** Does not suit OE coil.
- 5** Heavy Tune is suitable for 200kg springs & Mandatory for 400kg springs
- 6** For spring seat position refer to below.
No Accessories - 10mm
Light Bar - 15mm
Steel Bar - 10mm
Bar + Winch - 15mm
Bar + Winch + Acc - 20mm

FRONT SELECTION

V6 4.0L PETROL ENGINE			Part Number	Qty	Note
Estimated Lift 40mm	Springs	No Accessories	4018	1	1,6
		Light Bull Bar	4018		
		Steel Bull Bar	4001		
		Bar + Winch	4001		
		Bar + Winch + Acc	4001		
	Nitro +	Strut	93010	2	2,4
MT64	Strut	MT64901007	2	2,4	

FIT KITS & HARDWARE

Loc	Description	Part Number	Qty	Note
F	UPPER STRUT BUSHES	OME3133	2	1
F	STRUT TOP HAT KIT	OMETH002		3

REAR SELECTION

WAGON MODELS			Part Number	Qty	Note
Estimated Lift 40mm	Medium Load	Spring	2895E	1	
		Shock - N/Plus	63086	2	
		Shock - MT64	MT64601011		
	Constant 200kg	Spring	2895	1	
		Shock - N/Plus	*63080 / 63086	2	
		Shock - MT64	MT64601011		
		Shock - MT64	*MT64601009		
	Constant 400kg	Spring	2896	1	
		Shock - N/Plus	63080	2	
Shock - MT64		MT64601009			

FIT KITS & HARDWARE

Loc	Description	Part Number	Qty	Note
R	TRIM PACKER	OME150PR10	EA	
R	STONE GUARD KIT	OME661	2	2
		FK124		

TOYOTA

PRADO 120 SERIES 4/2003 - 2009 LWB & SWB
(EXCLUDES GRANDE & TEMS MODELS)

GLOBAL

FRONT SELECTION

PETROL & DIESEL ENGINES			Part Number	Qty	Note
Est Lift 25mm	Nitro +	Spring	4007	1	1
		Strut - N/Plus	93000	2	2,6
	BP-51	Strut LH	BP5190002L	1+1	
		Strut RH	BP5190002R		
		Fit Kit	VM80010029	1	

Comments

- 1** To maintain front strut droop it is important front coils are selected as shown.
- 2** No top mounting bushes supplied use OME3133. OE bushes may be re-used if in good condition.
- 3** Strut Top Hat Kit may be required if original equipment is worn.
- 4** The OME Upper Control Arm will provide an increase between +2.5 and +3.5 degrees of caster and up to 1.5 degrees of negative camber increase (figures based off an approximate 50mm lift). Please note after fitment of Upper Control Arm a vehicle wheel alignment will be required.
- 5** OME661 Lower Shock Mount Stone Guard is recommended fitment to rear shocks to protect against severe stone peppering encountered on loose road surfaces.
- 6** Does not suit OE coil.

FIT KITS & HARDWARE

Loc	Description	Part Number	Qty	Note
F	UPPER CONTROL ARMS	UCA0004	1	4
F	UPPER STRUT BUSHES	OME3133	2	2
F	STRUT TOP HAT KIT	OMETH002		3

SERVICE PARTS

Description	Part #	Qty	Note
OME UCA Eye Bush 2pk	UCASP010	1	
OME UCA Ball Joint 1pk	UCASP002	EA	
OME UCA Boot 2pk	UCASP011	1	

TOYOTA

PRADO 120 SERIES 4/2003 - 2009 LWB & SWB
(EXCLUDES GRANDE & TEMS MODELS)

GLOBAL

REAR SELECTION

LWB MODELS			Part Number	Qty	Note
Estimated Lift 40mm	Medium Load	Spring	2895	1	
		Shock - N/Sport	60112	2	1,5
		Shock - N/Plus	*63004 / 63112		
	Constant 200kg	Spring	2896	1	
		Shock - N/Plus	*63005 / 63004	2	1,5
	Constant 400kg	Spring	2897	1	
		Shock - N/Plus	63005	2	1,5
	BP-51	Shock	BP5160025	2	
		Fit Kit	VM80010010	1	

Comments

- 1 To maintain front strut droop it is important front coils are selected as shown.
- 2 No top mounting bushes supplied use OME3133. OE bushes may be re-used if in good condition.
- 3 Strut Top Hat Kit may be required if original equipment is worn.
- 4 The OME Upper Control Arm will provide an increase between +2.5 and +3.5 degrees of caster and up to 1.5 degrees of negative camber increase (figures based off an approximate 50mm lift). Please note after fitment of Upper Control Arm a vehicle wheel alignment will be required.
- 5 OME661/ FK124 Lower Shock Mount Stone Guard is recommended fitment to rear shocks to protect against severe stone peppering encountered on loose road surfaces.

REAR SELECTION

SWB MODELS			Part Number	Qty	Note
Estimated Lift 40mm	Medium Load	Spring	2895E	1	
		Shock - N/Sport	60112	2	1,5
		Shock - N/Plus	*63004 / 63112		
	Constant 200kg	Spring	2895	1	
		Shock - N/Plus	*63005 / 63004	2	1,5
	Constant 400kg	Spring	2896	1	
		Shock - N/Plus	63005	2	1,5
	BP-51	Shock	BP5160025	2	
		Fit Kit	VM80010010	1	

FIT KITS & HARDWARE

Loc	Description	Part Number	Qty	Note
R	STONE GUARD KIT	OME661	EA	5
		FK124	2	

TOYOTA

PRADO 90 SERIES TO 10/2002 LWB

GLOBAL

FRONT SELECTION

DIESEL ENGINE			Part Number	Qty	Note
40mm	Nitro +	Spring	4003	1	1
		Strut	93004	2	3

Comments

1 To maintain front strut droop it is important front coils are selected as shown.

FRONT SELECTION

V6 PETROL ENGINE			Part Number	Qty	Note
40mm	Nitro +	Spring	4006	1	1
		Strut	93004	2	3

2 OME661/ FK124 Lower Shock Mount Stone Guard is recommended fitment to rear shocks to protect against severe stone peppering encountered on loose road surfaces.

REAR SELECTION

ALL MODELS			Part Number	Qty	Note
Est Lift 40mm	Medium Load	Spring	2890	1	
		Shock - N/Plus	63028	2	2
	Constant 150kg	Spring	2891	1	
		Shock - N/Plus	*63027 / 63028	2	2
	Constant 300kg	Spring	2892	1	
		Shock - N/Plus	63027	2	2

3 Does not suit OE coil.

FIT KITS & HARDWARE

Loc	Description	Part Number	Qty	Note
R	TRIM PACKER	OME80PF05		
		OME80PF10	EA	
R	STONE GUARD KIT	OME661		2
		FK124	2	

TOYOTA

HILUX 2023 ON ROGUE, GR & WIDE TRACK ONLY

GLOBAL

FRONT SELECTION

DIESEL ENGINE		Part Number	Qty	Notes
Est Lift 40mm	Springs	No Accessories	4000	1,3,4,5
		Light Bull Bar	4000	
		Steel Bull Bar	4000	
		Bar + Winch	4000	
	Bar + Winch + Acc	4000		
MT64	Strut	MT64901005 *MT64901006	2	2

Comments

- 1** To maintain coil clearance from the sway bar, the coil seat must be installed with the helix facing away from the sway bar.
- 2** No top mount bushes supplied use OME3133. OE Bushes may be re-used if in good condition.
- 3** Strut Top Hat Kit may be required if original equipment is worn.
- 4** Australia Only. Full OME suspension system must be fitted.
- 5** Does not suit OE coil.

FIT KITS & HARDWARE

Loc	Description	Part Number	Qty	Note
F	Upper Control Arms	UCA0013	1	
F	Upper Strut Bushes	OME3133	Ea	2
F	Strut Top Hat Kit	OMETH002		3
F	Front Axle Upgrade Kit	FAUHI1595		4

REAR SELECTION

ALL MODELS		Part Number	Qty	Notes	
Estimated Lift 40mm	Medium Load	Spring Multi leaf	EL105R	2	1,4,5,10
		Spring Parabolic	PB004R		1,4,5,9
		Shock - MT64	MT64601015L	1+1	
		Shock - MT64	MT64601015R		
	Constant 300kg	Spring Multi leaf	EL106R	2	1,4,5,10
		Spring Parabolic	PB005R		1,4,5,9
		Shock - MT64	MT64601015L	1+1	
		Shock - MT64	MT64601015R		
		Shock - MT64	*MT64601016L		
	Shock - MT64	*MT64601016R			
	Constant 600kg	Spring Multi leaf	EL107R	2	1,4,5,6,10
		Spring Parabolic	PB006R		1,4,5,9
		Shock - MT64	*MT64601016L	1+1	
		Shock - MT64	*MT64601016R		
	AIR BAG KIT		OMEAB001	1	9,12
BLUETOOTH CONTROL MODULE		0830002			
LINX PRESSURE CONTROL KIT		7450107			
LINX AIRBAG ISOLATION KIT		7450109			
PURGE CONTROL KIT		OMEABK001			
Spring Bush		OMESB98	2		
U bolts		OMEU86	4	5	
		OMEU87			
		OMEU89			
Greaseable Shackles		OMEGS25	1		
Greaseable Pin		OMEGP9			

FIT KITS & HARDWARE

Loc	Description	Part Number	Qty	Notes
R	Extra Leaf	EL45XL	1	2,6,11
R	Leaf Eye Bolt	6151539		4
R	Headlamp bracket	FK86		3
R	Trim Packer	ELSK05	EA	
R	Extra Leaf spacer kit	ELSK12	2	
R	Centre Bolt		EA	7

Comments

- * Heavier Valved shock option
- 1 Include tray weight in constant load calculation.
- 2 EL45XL will give approximately 20mm extra lift or increase loading capacity at design height by approximately 200kgs.
- 3 The Halogen Headlamp Levelling Bracket is a **mandatory** fitment for SR5 versions only.
- 4 Leaf Spring front eye bolt 6151539 required for fuel tank side and is available as a spare part. Refer to the Spare Parts Price List of pricing.
- 5 Use OMEU86 for EL105R/ EL106R & PB006R. Use OMEU87 for EL106R with extra leaf and EL107R. Use OMEU89 for PB004R & PB005R.
- 6 When adding extra leaf to EL107R please add UCB4.
- 7 Refer to **Leaf Spring Service Parts** section for Centre Bolt selection.
- 8 Heavy Tune is suitable for 300kg springs & mandatory for 600kg springs.
- 9 Air Bag Kit is a **mandatory** fitment
- 10 Air Bag Kit is **not recommended** for Multi-Leaf Springs.
- 11 Does not suit parabolic springs.
- 12 It is highly recommended to check compatibility on vehicles already fitted with aftermarket suspension and/or exhaust systems. For Air Bag Kit details refer to Air Bag Specification sheet at the rear of this guide.

FRONT SELECTION

DIESEL ENGINE		Part Number	Qty	Notes
Estimated Lift 40mm	Springs	No Accessories	4005	1 1,3,4,5,7
		Light Bull Bar	4005	
		Steel Bull Bar	4000	
		Bar + Winch	4000	
	Bar + Winch + Acc	4044		
Nitro +	Strut	*93029 / 93028	2	2,6
MT64	Strut	MT64901001	2	2,6

Comments

1 To maintain coil clearance from the sway bar, the coil seat must be installed with the helix facing away from the sway bar.

2 No top mount bushes supplied use OME3133. OE Bushes may be re-used if in good condition.

3 Strut Top Hat Kit may be required if original equipment is worn.

4 Australia Only. Full OME suspension system must be fitted.

5 The OME Upper Control Arm will provide an increase between +2.5 and +3.5 degrees of caster and upto 1.5 degrees of negative camber increase (figures based off an approximate 50mm lift). Please note after fittment a wheel alignment will be required.

6 Does not suit OE coil.

7 For spring seat position refer to below.

- No Accessories - 10mm
- Light Bar - 15mm
- Steel Bar - 10mm
- Bar + Winch - 15mm
- Bar + Winch + Acc - 20mm

FRONT SELECTION

DIESEL ENGINE		Part Number	Qty	Note	
Estimated Lift 20mm	Springs	No Accessories	4026	1 1,3,4,5,7	
		Light Bull Bar	4026		
		Steel Bull Bar	4005		
		Bar + Winch	4005		
		Bar + Winch + Acc	4005		
	Nitro +	Strut	*93029 / 93028	2	2,6
	MT64	Strut	MT64901001	2	2,6
BP-51	Coilover LH	BP5190007L	1+1		
	Coilover RH	BP5190007R			
	Fit Kit	VM80010018	1		

ALL MODELS		Part Number	Qty	Notes
0mm	OE COIL ADAPTER	OE Coil Adapter	FK126	1
		Strut	93403	2

FIT KITS & HARDWARE

Loc	Description	Part Number	Qty	Note
F	Upper Control Arms	UCA0003	1	5
F	Upper Strut Bushes	OME3133		2
F	Strut Top Hat Kit	OMETH002	Ea	3
F	Front Axle Upgrade Kit	FAUHI1595		4

SERVICE PARTS

Description	Part #	Qty	Note
OME UCA Eye Bush 2pk	UCASP007	1	
OME UCA Ball Joint 1pk	UCASP008	EA	
OME UCA Boot 2pk	UCASP009	1	

REAR SELECTION

ALL MODELS		Part Number	Qty	Notes	
Estimated Lift 40mm	Medium Load	Spring Multi leaf	EL105R	2	1,4,5,10
		Spring Parabolic	PB004R		1,4,5,9
		Shock - N/Plus	63132	1+1	
		Shock - MT64	MT64601001L		
		Shock - MT64	MT64601001R		
	Constant 300kg	Spring Multi leaf	EL106R	2	1,4,5,10
		Spring Parabolic	PB005R		1,4,5,9
		Shock - N/Plus	*63133 / 63132	1+1	
		Shock - MT64	MT64601001L		
		Shock - MT64	MT64601001R		
		Shock - MT64	*MT64601002L		
	Constant 600kg	Spring Multi leaf	EL107R	2	1,4,5,6,10
		Spring Parabolic	PB006R		1,4,5,9
		Shock - N/Plus	63133	1+1	
		Shock - MT64	MT64601002L		
	BP-51	Shock LH	BP5160018L	1+1	8
		Shock RH	BP5160018R		
		Shock LH Heavy	*BP5160051L	1+1	8
		Shock RH Heavy	*BP5160051R		
		Fit Kit	VM80010019	1	
AIR BAG KIT		OMEAB001	1	9,12	
BLUETOOTH CONTROL MODULE		0830002			
LINX PRESSURE CONTROL KIT		7450107			
LINX AIRBAG ISOLATION KIT		7450109			
PURGE CONTROL KIT		OMEABK001			
Spring Bush		OMESB98	2		
U bolts		OMEU53A	4	5	
		OMEU53B			
		OMEU88			
Greasable Shackle		OMEGS25	1		
Greasable Pin		OMEGP9			

Comments

- * Heavier Valved shock option
- 1 Include tray weight in constant load calculation.
- 2 EL45XL will give approximately 20mm extra lift or increase loading capacity at design height by approximately 200kgs.
- 3 The Halogen Headlamp Levelling Bracket is a **mandatory** fitment for SR5 versions only.
- 4 Leaf Spring front eye bolt 6151539 required for fuel tank side and is available as a spare part. Refer to the Spare Parts Price List of pricing.
- 5 Use OMEU53A for EL105R/ EL106R & PB006R. Use OMEU53B for EL106R with extra leaf and EL107R. Use OMEU88 for PB004R & PB005R.
- 6 When adding extra leaf to EL107R please add UCB4.
- 7 Refer to **Leaf Spring Service Parts** section for Centre Bolt selection.
- 8 Heavy Tune is suitable for 300kg springs & mandatory for 600kg springs.
- 9 Air Bag Kit is a **mandatory** fitment
- 10 Air Bag Kit is **not recommended** for Multi-Leaf Springs.
- 11 Does not suit parabolic springs.
- 12 It is highly recommended to check compatibility on vehicles already fitted with aftermarket suspension and/or exhaust systems. For Air Bag Kit details refer to Air Bag Specification sheet at the rear of this guide.

FIT KITS & HARDWARE

Loc	Description	Part Number	Qty	Notes
R	Extra Leaf	EL45XL	1	2,6,11
R	Leaf Eye Bolt	6151539		4
R	Headlamp bracket	FK86		3
R	Trim Packer	ELSK05	EA	
R	Extra Leaf spacer kit	ELSK12	2	
R	Centre Bolt		EA	7

TOYOTA

HILUX 2015 ON ALL MODELS (EXCLUDES ROGUE/GR SPORT)

SOUTH EAST ASIA ONLY

FRONT SELECTION - Esitmated Lift 0-20mm

ALL MODELS		Part Number	Qty	Notes
Nitrocharger +	Strut	93403	2	1,2,3
	Fit Kit	FK126	1	

Comments

1 No top mounting bushes supplied, re-use OE Top Hat, Dirt Shield, Bump Stop & OE Coil Spring.

2 Does not suit OME coil

3 Use with coil seat adapter kit FK126

REAR SELECTION - Esitmated Lift 0-20mm

ALL MODELS		Part Number	Qty	Notes
Nitrocharger +	Shock	63132	2	1

FRONT SELECTION

DIESEL ENGINE			Part Number	Qty	Notes
Est Lift 30mm	Nitro +	Spring	4001	1	1
		Strut - N/Plus	*93002 / 93011	2	2,7
	BP-51	Strut LH	BP5190001L	1+1	
		Strut RH	BP5190001R		
		Fit Kit	VM80010001	1	

Comments

1 To maintain coil clearance from the sway bar, the coil seat **must** be installed with the helix facing away from the sway bar.

2 No top mounting bushes supplied use OME3133. OE bushes may be re-used if in good condition.

3 Include tray weight in constant load calculation.

4 EL13XL will give approximately 22mm extra lift or increase loading capacity at design height by approximately 200kgs.

5 Strut Top Hat Kit may be required if original equipment is worn.

6 The OME Upper Control Arm will provide an increase between +2.5 and +3.5 degrees of caster and up to 1.5 degrees of negative camber increase (figures based off an approximate 50mm lift). Please note after fitment of Upper Control Arm a vehicle wheel alignment will be required.

7 Does not suit OE coil.

FRONT SELECTION

PETROL ENGINE			Part Number	Qty	Note
Est Lift 30mm	Nitro +	Spring	4026	1	1
		Strut - N/Plus	*93002 / 93011	2	2,7
	BP-51	Coilover LH	BP5190001L	1+1	
		Coilover RH	BP5190001R		
		Fit Kit	VM80010001	1	

FIT KITS & HARDWARE

Loc	Description	Part Number	Qty	Note
F	UPPER CONTROL ARMS	UCA0003	1	6
F	UPPER STRUT BUSHES	OME3133		2
F	STRUT TOP HAT KIT	OMETH002		5

SERVICE PARTS

Description	Part #	Qty	Note
OME UCA Eye Bush 2pk	UCASP007	1	
OME UCA Ball Joint 1pk	UCASP008	EA	
OME UCA Boot 2pk	UCASP009	1	

REAR SELECTION

ALL MODELS		Part Number	Qty	Notes	
Estimated Lift 40mm	Light Load	Spring Multi leaf	EL043R	2	3
		Shock - N/Plus	63006		
	Medium Load	Spring Multi leaf	EL044R	2	3
		Shock - N/Plus	63006		
	Constant 400kg	Spring Multi leaf	EL045R	2	3
		Shock - N/Plus	63007		
	Constant 600kg	Spring Multi leaf	EL071R	2	3
		Shock - N/Plus	63007		
	BP-51	Shock LH	BP5160024L	1+1	
		Shock RH	BP5160024R		
Fit Kit		VM80010002			
SPRING BUSH KIT		OMESB98	2	4	
U BOLT		OMEU53A	4		
GREASABLE SHACKLE KIT		OMEGS14			
GREASABLE FIXED END PIN KIT		OMEGP9	1		
BRAKE PROPORTIONING KIT		FK59			

FIT KITS & HARDWARE

Loc	Description	Part Number	Qty	Notes
R	EXTRA LEAF	EL13XL	2	4
R	TRIM PACKER	ELSK05	EA	
R	EXTRA LEAF SPACER KIT	ELSK12	2	
R	CENTRE BOLT		EA	7

Comments

- 1** To maintain coil clearance from the sway bar, the coil seat **must** be installed with the helix facing away from the sway bar.
- 2** No top mounting bushes supplied use OME3133. OE bushes may be re-used if in good condition.
- 3** Include tray weight in constant load calculation.
- 4** EL13XL will give approximately 22mm extra lift or increase loading capacity at design height by approximately 200kgs.
- 5** Strut Top Hat Kit may be required if original equipment is worn.
- 6** The OME Upper Control Arm will provide an increase between +2.5 and +3.5 degrees of caster and up to 1.5 degrees of negative camber increase (figures based off an approximate 50mm lift). Please note after fitment of Upper Control Arm a vehicle wheel alignment will be required.
- 7** Refer to **Leaf Spring Service Parts** section for Centre Bolt selection.

TOYOTA

HILUX / TIGER 1997 TO 2004 4WD MODELS

GLOBAL

FRONT SELECTION

PETROL & DIESEL ENGINES		Part Number	Qty	Notes
Bar/ Winch/ Accessories	Torsion Bars	303003	1	1
	Shock - N/Sport	60042	2	
	Shock - N/Plus	63042		

FIT KITS & HARDWARE

Loc	Description	Part Number	Qty	Note
F	STEERING DAMPER	OMESD33	1	

REAR SELECTION

ALL MODELS		Part Number	Qty	Note	
Estimated Lift 50mm	Medium Load	Spring Multi Leaf	CS018R	2	3,5
		Shock - N/Sport	60043 + 60044	1+1	2
		Shock - N/Plus	63043 + 63044		
	Constant 120kg	Spring Multi Leaf	CS019R	2	3,5
		Shock - N/Sport	60043 + 60044	1+1	2
		Shock - N/Plus	63043 + 63044		
	Constant 250kg	Spring Multi Leaf	CS020R	2	3,5
		Shock - N/Sport	60043 + 60044	1+1	2
		Shock - N/Plus	63043 + 63044		
	Constant 400kg	Spring Multi Leaf	CS021R	2	3,5
		Shock - N/Sport	60043 + 60044	1+1	2
		Shock - N/Plus	63043 + 63044		
		SPRING BUSH KIT	OMESB43	2	
		GREASABLE SHACKLE KIT	OMEGS7	1	3
		GREASABLE FIXED END PIN KIT	OMEGP11		
	U BOLT	OMEU53A	4		
	FITTING KIT	FK01	1	4	

FIT KITS & HARDWARE

Loc	Description	Part Number	Qty	Note
R	ANTI INVERSION KIT	FK15	1	3
R	EXTRA LEAF	D6XL	2	6
R	CENTRE BOLT			7

Comments

1 Raise or lower front end clearance and trim vehicle by adjusting front torsion bars.

2 60043 is longer in length and **must** be fitted to right hand side only. Fitment to left hand side may cause damage to shock absorber and vehicle.

3 **Mandatory** fitment: either OMEGS7 or FK15 Anti Inversion Kit required to prevent possible spring inversion.

4 Fitment of FK01 Spacer Washers to U Bolts is **required** to ensure correct tension is obtained on U Bolts.

5 Include tray weight in constant load calculation.

6 D6XL suitable for CS019R, CS020R and CS021R.

7 Refer to **Leaf Spring Service Parts** section for Centre Bolt selection.

FRONT SELECTION

DIESEL ENGINE			Part Number	Qty	Notes
Est Lift 45mm	No Bar	Spring Multi leaf	CS009FA/B	1+1	1,2,3
		Shock - N/Sport	60061	2	
	Bar Only	Spring Multi leaf	CS009FA/B	1+1	1,2,3
		Shock - N/Sport	60061	2	
Bar/ Winch/ Accessories		Spring Multi leaf	CS009FA/B	1+1	1,2,3
		Shock - N/Sport	60061	2	

Comments

- 1 A/A spring fitment may be needed on some vehicles for trimming purposes.
- 2 Petrol HiLux may require an FK03 (saddle correction plates) if the spring seats are distorted. FK10 must be fitted to all Diesel & Petrol Models used off road. Refer OME Technical & Fitting Manual.

FRONT SELECTION

PETROL ENGINE			Part Number	Qty	Notes
Est Lift 45mm	No Bar	Spring Multi leaf	CS008FA/B	1+1	1,2,3
		Shock - N/Sport	60061	2	
	Bar Only	Spring Multi leaf	CS009FA/B	1+1	1,2,3
		Shock - N/Sport	60061	2	
Bar/ Winch/ Accessories		Spring Multi leaf	CS009FA/B	1+1	1,2,3
		Shock - N/Sport	60061	2	

3 OMEU52 is required when fitting OME springs to stop the U Bolt contacting the drag link. Refer OME Technical & Fitting Manual. OMEU52 and OMEU53B for drivers side OMEU53 for passenger side.

4 A trim packer may be required to trim vehicle. Only to be used on rear springs.

5 Post 1984 vehicles have a 19mm mounting pin and suit shock part numbers: ⁹N85, ⁹N94, ⁹60062 and 60065. Pre 1984 vehicles have a 16mm mounting pin and suit shock part numbers: ⁹N89, ⁹60032 and ⁹60064.

6 If greasable shackles are not fitted Anti Inversion Kits **must** be fitted. FK09 fits all pre 1984 Models. FK13 fits all 1985 Models On.

7 Include tray weight in constant load calculation. To provide correct shackle angle, 1985 - 89 automatic 4 Runner Models require the 3rd leaf to be removed to reduce spring rate.

8 Only Suits CS008FA/B. Do not fit to CS009FA/B.

9 When remaining stock of N85, N89, N94, 60032, 60062 and 60064 is exhausted no further product will be available.

10 Refer to Leaf Spring Service Parts section for Centre Bolt selection.

FIT KITS & HARDWARE

Loc	Description	Part Number	Qty	Notes
F	SPRING BUSH KIT	OMESB5	2	
F	U BOLT	OMEU52 +	1 +	3
		OMEU53 +	2 +	
		OMEU53B	1	
F	FITTING KIT	FK03		2
F	GREASABLE SHACKLE KIT	OMEGS4	1	
F	GREASABLE FIXED END PIN KIT	OMEGP3		
F	STEERING DAMPER	OMESD21		
F	EXTRA LEAF	D17XL	2	8
F	CENTRE BOLT			10

REAR SELECTION

ALL MODELS			Part Number	Qty	Notes
Estimated Lift 50mm	Medium Load	Spring Multi leaf	CS009R	2	4,6,7
		Shock - N/Sport	*60064 / 60032		5,9
	Constant 250kg	Spring Multi leaf	CS010R	2	4,6,7
		Shock - N/Sport	60064		5,9
	U BOLT	OMEU53	4		
	SPRING BUSH KIT	OMESB6	2		
	GREASABLE SHACKLE KIT	OMEGS3	1		
	GREASABLE SHACKLE END PIN KIT	OMEGP3			

FIT KITS & HARDWARE

Loc	Description	Part Number	Qty	Notes
R	TRIM PACKER	TP04	EA	4
R	ANTI INVERSION KIT	FK09	1	6
		FK13		
R	EXTRA LEAF	D5XL	2	
R	CENTRE BOLT			10

TOYOTA

HILUX PRE 1997 - EC & DC SR5 - IFS & REAR LEAF MODELS

GLOBAL

FRONT SELECTION

PETROL & DIESEL ENGINES		Part Number	Qty	Notes
Bar/ Winch/ Accessories	Torsion Bars	303003	1	1
	Shock - N/Plus	63072	2	

Comments

1 Raise or lower front end clearance and trim vehicle by adjusting front torsion bars.

FIT KITS & HARDWARE

Loc	Description	Part Number	Qty	Note
F	STEERING DAMPER	OMESD33	1	

2 Compare original spring stack height to OME spring stack to decide whether OMEU53 or OMEU53B U Bolts are required.

REAR SELECTION^b

ALL MODELS		Part Number	Qty	Note	
Estimated Lift 50mm	Medium Load	Spring Multi Leaf	CS019R	2	2,3
		Shock - N/Plus	63065		
	Constant 200kg	Spring Multi Leaf	CS020R	2	2,3
		Shock - N/Plus	63065		
	SPRING BUSH KIT		OMESB43	2	
	U BOLT		OMEU53	4	2
			OMEU53B		
GREASABLE SHACKLE KIT		OMEGS7	1		
GREASABLE FIXED END PIN KIT		OMEGP11			

3 Include tray weight in constant load calculation.

4 Refer to **Leaf Spring Service Parts** section for Centre Bolt selection.

5 When remaining stock of N85 and N94 is exhausted no further product will be available.

FIT KITS & HARDWARE

Loc	Description	Part Number	Qty	Note
R	EXTRA LEAF	D6XL	2	
R	CENTRE BOLT			4

TOYOTA

4 RUNNER 1990 TO 1996 IFS REAR COIL SPRING MODELS (TO 1995 IN USA)

GLOBAL

FRONT SELECTION

PETROL & DIESEL ENGINES		Part Number	Qty	Notes
Bar/ Winch/ Accessories	Torsion Bars	303003	1	1
	Shock - N/Plus	63072	2	

Comments

1 Raise or lower front end clearance and trim vehicle by adjusting front torsion bars.

FIT KITS & HARDWARE

Loc	Description	Part Number	Qty	Note
F	STEERING DAMPER	OMESD33	1	

2 When remaining stock of N72F is exhausted no further product will be available.

REAR SELECTION

ALL MODELS		Part Number	Qty	Note	
Estimated Lift 50mm	Medium Load	Coil Spring	2900	1	
		Shock - N/Sport	60073	2	2
		Shock - N/Plus	63073		
	Constant 200kg	Coil Spring	2901	1	
		Shock - N/Sport	60073	2	2
		Shock - N/Plus	63073		

TOYOTA

4 RUNNER 1986 TO 1990 IFS REAR LEAF SPRING MODELS (TO 1989 IN USA)

GLOBAL

FRONT SELECTION

PETROL & DIESEL ENGINES		Part Number	Qty	Notes
Bar/ Winch/ Accessories	Torsion Bars	303003	1	1
	Shock - N/Plus	63072	2	

Comments

1 Raise or lower front end clearance and trim vehicle by adjusting front torsion bars.

FIT KITS & HARDWARE

Loc	Description	Part Number	Qty	Note
F	STEERING DAMPER	OMESD33	1	

2 Compare original spring stack height to OME spring stack to decide whether OMEU53 or OMEU53B U Bolts are required.

REAR SELECTION⁵

ALL MODELS		Part Number	Qty	Note	
Estimated Lift 50mm	Medium Load	Spring Multi Leaf	CS009R	2	2,3
		Shock - N/Plus	63065		
	Constant 200kg	Spring Multi Leaf	CS010R	2	2,3
		Shock - N/Plus	63065		
	SPRING BUSH KIT		OMESB6	2	
	U BOLT		OMEU53	4	2
			OMEU53B		
	GREASABLE SHACKLE KIT		OMEGS3	1	
GREASABLE FIXED END PIN KIT		OMEGP3			

3 Install OE caster wedges from OE spring stack onto OME springs. Ensure wedges are fitted as per original position.

4 Refer to **Leaf Spring Service Parts** section for Centre Bolt selection.

5 When remaining stock of N85 and N94 is exhausted no further product will be available.

FIT KITS & HARDWARE

Loc	Description	Part Number	Qty	Note
R	EXTRA LEAF	D5XL	2	
R	CENTRE BOLT			4

FRONT SELECTION

ALL MODELS			Part Number	Qty	Note
Est Lift 50mm	Nitro +	Spring	4007	1	
		Strut	93010	2	1,5
	MT64	Spring	4007	1	
		Strut	MT64901007	2	1,5
	BP-51	Strut - LH	BP5190002L	1+1	
		Strut - RH	BP5190002R		
Fit Kit		VM80010008	1		

Comments

- 1 No top mounting bushes supplied use OME3133. OE bushes may be re-used if in good condition.
- 2 OME661/ FK124 lower shock mount guard is recommended fitment to rear shocks to protect against severe stone peppering encountered on loose road surfaces.

FIT KITS & HARDWARE

Loc	Description	Part Number	Qty	Note
F	UPPER CONTROL ARM	UCA0004	1	4
F	UPPER STRUT BUSHES	OME3133	2	1
F	STRUT TOP HAT KIT	OMETH002		3

- 3 Strut Top Hat Kit may be required if original equipment is worn.

- 4 The OME Upper Control Arm will provide an increase between +2.5 and +3.5 degrees of caster and up to 1.5 degrees of negative camber increase (figures based off an approximate 50mm lift). Please note after fitment of Upper Control Arm a vehicle wheel alignment will be required.

REAR SELECTION

ALL MODELS			Part Number	Qty	Note
Estimated Lift 50mm	Light Load	Spring	2895E	1	
		Shock - N/Plus	*63080 / 63086	2	
		Shock - MT64	MT64601011		
	Medium Load	Spring	2895	1	
		Shock - N/Plus	*63081 / 63080	2	
		Shock - MT64	MT64601011		
	Constant 200kg	Spring	2896	1	
		Shock - N/Plus	63081	2	
		Shock - MT64	MT64601009		
	BP-51	Shock	BP5160025	2	
		Fit Kit	VM80010010	1	

- 5 Does not suit OE coil.

FIT KITS & HARDWARE

Loc	Description	Part Number	Qty	Note
R	STONE GUARD KIT	OME661	EA	2
		FK124	2	

SERVICE PARTS

Description	Part #	Qty	Note
OME UCA Eye Bush 2pk	UCASP010	1	
OME UCA Ball Joint 1pk	UCASP002	EA	
OME UCA Boot 2pk	UCASP011	1	

FRONT SELECTION

ALL MODELS			Part Number	Qty	Note
50mm	Nitro +	Spring	4007	1	
		Strut - N/Plus	93000	2	1,5

FIT KITS & HARDWARE

Loc	Description	Part Number	Qty	Note
F	UPPER CONTROL ARM	UCA0004	1	4
F	UPPER STRUT BUSHES	OME3133	2	1
F	STRUT TOP HAT KIT	OMETH002		3

REAR SELECTION

ALL MODELS			Part Number	Qty	Note
Estimated Lift 50mm	Light Load	Spring	2895E	1	
		Shock - N/Sport	60112	2	2
		Shock - N/Plus	*63004 / 63112		
	Medium Load	Spring	2895	1	
		Shock - N/Sport	60112	2	2
		Shock - N/Plus	*63004 / 63112		
	Constant 200kg	Spring	2896	1	
		Shock - N/Plus	63081	2	

FIT KITS & HARDWARE

Loc	Description	Part Number	Qty	Note
R	STONE GUARD KIT	OME661	EA	2
		FK124	2	

SERVICE PARTS

Description	Part #	Qty	Note
OME UCA Eye Bush 2pk	UCASP010	1	
OME UCA Ball Joint 1pk	UCASP002	EA	
OME UCA Boot 2pk	UCASP011	1	

Comments

- 1** No top mounting bushes supplied use OME3133. OE bushes may be re-used if in good condition.
- 2** OME661 lower shock mount guard is recommended fitment to rear shocks to protect against severe stone peppering encountered on loose road surfaces.
- 3** Strut Top Hat Kit may be required if original equipment is worn.
- 4** The OME Upper Control Arm will provide an increase between +2.5 and +3.5 degrees of caster and up to 1.5 degrees of negative camber increase (figures based off an approximate 50mm lift). Please note after fitment of Upper Control Arm a vehicle wheel alignment will be required.
- 5** Does not suit OE coil.

FRONT SELECTION

DIESEL ENGINE			Part Number	Qty	Note
Est Lift 35mm	Nitro +	No Accessories	4026	1	1,2,3,6
		Light Bull Bar	4026		
		Steel Bull Bar	4005		
		Bar + Winch	4005		
		Bar + Winch + Acc	4005		
	Strut	*93029 / 93028	2	2,5	

Comments

1 To maintain coil clearance from the Sway Bar, the coil seat must be installed with the helix facing away from the sway bar.

2 No top mounting bushes supplied use OME3133. OE bushes may be re-used if in good condition.

3 Strut Top Hat Kit may be required if original equipment is worn.

4 FK29 Rear Driveshaft Spacer is a **mandatory** fitment.

5 Does not suit OE coil.

6 For spring seat position refer to below.
 No Accessories - 10mm
 Light Bar - 15mm
 Steel Bar - 10mm
 Bar + Winch - 15mm
 Bar + Winch + Acc - 20mm

FIT KITS & HARDWARE

Loc	Description	Part Number	Qty	Note
F	UPPER STRUT BUSHES	OME3133	EA	2
F	STRUT TOP HAT KIT	OMETH002	2	3

REAR SELECTION

ALL MODELS			Part Number	Qty	Note
Est Lift 25mm	Medium Load	Spring	2802	1	
		Shock - N/Plus	63141	2	2
	Constant 200kg	Spring	2803	1	
		Shock - N/Plus	63142	2	2
	REAR DRIVESHAFT SPACER		FK29	1	4

FRONT SELECTION

DIESEL ENGINE			Part Number	Qty	Note
35mm	Nitro +	Spring	4001	1	
		Strut	*93002 / 93011	2	1,3

Comments

- 1 No top mounting bushes supplied use OME3133. OE bushes may be re-used if in good condition.
- 2 Strut Top Hat Kit may be required if original equipment is worn.
- 3 Does not suit OE coil.

FIT KITS & HARDWARE

Loc	Description	Part Number	Qty	Note
F	UPPER STRUT BUSHES	OME3133	EA	1
F	STRUT TOP HAT KIT	OMETH002	2	2

REAR SELECTION

ALL MODELS			Part Number	Qty	Note
Est 25mm	Medium Load	Spring	2802	1	
		Shock - N/Plus	63078	2	
	Constant 200kg	Spring	2803	1	
		Shock - N/Plus	63078	2	

FRONT SELECTION

ALL MODELS			Part Number	Qty	Note
Est Lift 50mm	Nitro +	Spring	4051	1	
		Strut	93192	2	2
	MT-64	Spring	4049	1	
		Strut	MT64901021	2	2
	BP-51	Strut - LH	BP5190026L	1+1	3
		Strut - RH	BP5190026R		
Fit Kit		VM80010071	1		

Comments

- 1 Mandatory** Fitment.
- 2** Spring pre-load must be set to 20mm to achieve full lift.
- 3** Spring pre-load must be set to 30mm to achieve full lift.

FIT KITS & HARDWARE

Loc	Description	Part Number	Qty	Note
F	UPPER CONTROL ARM	UCA0016	1	1
F	SWAYBAR SPACER	FK131	EA	1

REAR SELECTION

ALL MODELS			Part Number	Qty	Note
Est Lift 50mm	Springs	Medium Load	2860	1	
	Nitro +	Shock	63381	2	
		MT64	Shock		
	BP-51	Shock	BP5160068	2	
		Fit Kit	VM80010072	1	

FIT KITS & HARDWARE

Loc	Description	Part Number	Qty	Note
R	BRAKE LINE SPACER KIT	FK132	1	1

FRONT SELECTION

V6 4.0L PETROL ENGINE			Part Number	Qty	Notes
Estimated lift 2.5"	Springs	No Load	4026	1	1,5,7
		0lbs - 110lbs	4001		
		110lbs - 220lbs	4005		
		220lbs - 330lbs	4007		
		330lbs +	4000		
	Nitro +	Strut	93010	2	2,6
	MT64	Strut	MT64901007	2	
	BP-51 NON KDSS	Strut LH	BP5190002L	1+1	
		Strut RH	BP5190002R		
		Fit Kit	VM80010028		1
	BP-51 SUITS KDSS	Strut LH	BP5190004L	1+1	
		Strut RH	BP5190002R		
		Fit Kit	VM80010009		1

Comments

- 1 Vehicles with KDSS, must have 1 x OME95PF5 packer installed on the front right hand side to maintain correct trim.
- 2 No top mounting bushes supplied use OME3133. OE bushes may be re-used if in good condition.
- 3 OME661 Lower Shock Mount Stone Guard is recommended fitment to rear shocks to protect against severe stone peppering encountered on loose road surfaces.
- 4 Strut Top Hat Kit may be required if original equipment is worn.

FIT KITS & HARDWARE

Loc	Description	Part Number	Qty	Note
F	UPPER CONTROL ARMS	UCA0004	1	5
F	UPPER STRUT BUSHES	OME3133	2	2
F	STRUT TOP HAT KIT	OMETH002		4

- 5 UCA0004 is **Mandatory** fitment for 2.5" lifts, UCA0004 is a **recommended** fitment for 2" lifts. The OME Upper Control Arm will provide an increase between +2.5 and +3.5 degrees of caster and up to 1.5 degrees of negative camber increase (figures based off an approximate 2" lift). Please note after fitment of Upper Control Arm a vehicle wheel alignment will be required.

REAR SELECTION

LWB MODEL			Part Number	Qty	Note
Estimated Lift 2"	No Load	Spring	2895	1	3
		Shock - N/Plus	63080	2	
		Shock - MT64	MT64601009		
	Constant 440lbs	Spring	2896	1	3
		Shock - N/Plus	*63081 / 63080	2	
		Shock - MT64	MT64601009		
		Shock - MT64	*MT64601010		
	Constant 880lbs	Spring	2897	1	3
		Shock - N/Plus	63081	2	
		Shock - MT64	MT64601010		
	BP-51	Shock	BP5160025	2	
		Fit Kit	VM80010010	1	

- 6 Does not suit OE coil.
- 7 To achieve the advertised lift for Nitrocharger Plus fit the 20mm(0.8") spacer included in the box. For MT64 use the highest groove available. Trim packing or lowering lift height can be achieved by using smaller spacers for Nitrocharger Plus or using the lower grooves on MT64.

FIT KITS & HARDWARE

Loc	Description	Part Number	Qty	Note
R	TRIM PACKER	OME150PR10	EA	3
R	STONE GUARD KIT	OME661		
		FK124	2	

SERVICE PARTS

Description	Part #	Qty	Note
OME UCA Eye Bush 2pk	UCASP010	1	
OME UCA Ball Joint 1pk	UCASP002	EA	
OME UCA Boot 2pk	UCASP011	1	

TOYOTA

4 RUNNER 2003 TO 2010

INTERNATIONAL (USA)

FRONT SELECTION - Estimated Lift 1" - 2"

ALL MODELS		Part Number	Qty	Notes
Nitro +	Spring	4001	1	1
	Strut - N/Plus	93000	2	2,5

FIT KITS & HARDWARE

Loc	Description	Part Number	Qty	Note
F	UPPER CONTROL ARMS	UCA0004	1	4
F	UPPER STRUT BUSHES	OME3133	2	2
F	STRUT TOP HAT KIT	OMETH002	1	3

REAR SELECTION

ALL MODELS		Part Number	Qty	Note	
Estimated Lift 2"	No Load	Spring	2895	1	
		Shock - N/Plus	63004	2	
	Constant 330lbs	Spring	2896	1	
		Shock - N/Plus	*63005 / 63004	2	
	Constant 660lbs	Spring	2897	1	
		Shock - N/Plus	63005	2	

FIT KITS & HARDWARE

Loc	Description	Part Number	Qty	Note
R	STONE GUARD KIT	OME661	EA	
		FK124	2	

SERVICE PARTS

Description	Part #	Qty	Note
OME UCA Eye Bush 2pk	UCASP010	1	
OME UCA Ball Joint 1pk	UCASP002	EA	
OME UCA Boot 2pk	UCASP011	1	

Comments

- 1** OME front coils can only be installed with OME Nitrocharger strut and coil seats.
- 2** No top mounting bushes supplied use OME3133. OE bushes may be re-used if in good condition.
- 3** Strut Top Hat Kit may be required if original equipment is worn.
- 4** The OME Upper Control Arm will provide an increase between +2.5 and +3.5 degrees of caster and up to 1.5 degrees of negative camber increase (figures based off an approximate 2" lift). Please note after fitment of Upper Control Arm a vehicle wheel alignment will be required.
- 5** Does not suit OE coil.

TOYOTA

4 RUNNER / SURF 1996 TO 2002

INTERNATIONAL (USA)

FRONT SELECTION - Estimated Lift 1"

PETROL & DIESEL ENGINES		Part Number	Qty	Notes
Nitro +	Spring	4006	1	
	Strut	93004	2	1

Comments

1 Does not suit OE coil.

REAR SELECTION - Estimated Lift 2"

ALL MODELS		Part Number	Qty	Note
No Load	Coil Spring	2906	1	
	Shock - N/Plus	*63027 / 63028	2	
Constant 550lbs	Coil Spring	2890	1	
	Shock - N/Plus	*63027 / 63028	2	

FRONT SELECTION

ALL MODELS			Part Number	Qty	Notes
Estimated Lift 3"	Nitro+	Spring - No Load	4055	1	
		Spring - 220lbs	4056		
		Shock	93408	2	2,4
	MT64	Strut Assembly	MT64996001	2	5
		Strut Assembly	*MT64996002		
	BP-51	Strut Assembly L	BP5190028L	1+1	5
		Strut Assembly R	BP5190028R		
		Fit Kit	VM80010087	1	

Comments

1. Mandatory fitment
2. No top bushes supplied, re-use OE
3. UCA0021 is fitted with a greaseless ball joint & is maintenance free for the life of the ball joint.
4. Mandatory fitment for Nitrocharger Plus part number 93408
5. Complete assembly, including coil spring & top hat set to the highest lift setting

FIT KITS & HARDWARE

Loc	Description	Part Number	Qty	Notes
F	JOUNCE BUMPER KIT	FK143	1	4
F	UPPER CONTROL ARM	UCA0021		1,3

REAR SELECTION

ALL MODELS			Part Number	Qty	Notes
Estimated Lift 2"	No Load	Coil Spring	3319	1	
		Shock - N/Plus	63411		
		Shock - MT64	MT64601035	2	
	Constant 440lbs	Coil Spring	3320	1	
		Shock - N/Plus	63411		
		Shock - MT64	MT64601035	2	
	Constant 880lbs	Coil Spring	3325	1	
		Shock - N/Plus	63411		
		Shock - MT64	MT64601035	2	
	BP-51	Shock	BP5160069	2	
		Fit Kit	VM80010088	1	

FRONT SELECTION

ALL MODELS			Part Number	Qty	Notes
Estimated Lift 2"	Nitrocharger Plus	No Load	4007	1	7
		0lbs - 110lbs	4000		
		110lbs - 220lbs	4002		
		220lbs - 330lbs	4004		
		330lbs +	4004		
	Shock	93000	2	1,6	
	MT64	No Load	4005	1	7
		0lbs - 110lbs	4007		
		110lbs - 220lbs	4000		
		220lbs - 330lbs	4002		
		330lbs +	4004		
	Shock	MT64901007	2	1,6	
	BP-51	Strut LH	BP5190006L	1+1	
		Strut RH	BP5190006R		
		Fit Kit	VM80010016	1	

Comments

- 1 No top mounting bushes supplied, use OME3133. OE bushes may be re-used if in good condition.
- 2 Strut Top Hat Kit may be required if original equipment is worn.
- 3 Two (2) Greaseable Pin Kits required. One (1) kit for front fixed eye and one (1) kit for shackle pin for leaf spring eye.
- 4 The OME Upper Control Arm will provide an increase between +2.5 and +3.5 degrees of caster and up to 1.5 degrees of negative camber increase (figures based off an approximate 2" lift). Please note after fitment of Upper Control Arm a vehicle wheel alignment will be required.

FIT KITS & HARDWARE

Loc	Description	Part Number	Qty	Notes
F	UPPER CONTROL ARM	UCA0005	1	4
F	UPPER STRUT BUSHES	OME3133	2	1
F	STRUT TOP HAT KIT	OMETH002		2

5 Refer to Leaf Spring Service Parts section for Centre Bolt selection.

6 Does not suit OE coil.

REAR SELECTION

ALL MODELS			Part Number	Qty	Notes
Estimated Lift 2"	No Load	Spring Multi leaf	EL111R	2	
		Shock - N/Plus	63091		
		Shock - MT64	MT64601013L/R		
	Constant 660lbs	Spring Multi leaf	EL112R	2	
		Shock - N/Plus	63091		
		Shock - MT64	MT64601014L/R		
	BP-51	Shock LH	BP5160011L	1+1	
		Shock RH	BP5160011R		
		Fit Kit	VM80010017		
	GREASABLE PIN KIT		OMEGP9	1	3
	U BOLT		OMEU53B	4	
	SPRING BUSH KIT		OMESB108	2	
	DRIVESHAFT SPACER KIT		FK29	1	

7 To achieve the advertised lift for Nitrocharger Plus fit the 20mm(0.8") spacer included in the box. For MT64 use the highest groove available. Trim packing or lowering lift height can be achieved by using smaller spacers for Nitrocharger Plus or using the lower grooves on MT64.

FIT KITS & HARDWARE

Loc	Description	Part Number	Qty	Notes
R	EXTRA LEAF	EL46XL	2	
R	CENTRE BOLT		2	5

SERVICE PARTS

Description	Part #	Qty	Note
OME UCA Eye Bush 2pk	UCASP012	1	
OME UCA Ball Joint 1pk	UCASP013	EA	
OME UCA Boot 2pk	UCASP014	1	

FRONT SELECTION

ALL MODELS			Part Number	Qty	Notes
Estimated Lift 2"	Nitro +	Coil Spring	4002	1	
		Shock	93000	2	1,6
	MT64	Coil Spring	4002	1	
		Shock	MT64901007	2	1,6
	BP-51	Strut LH	BP5190006L	1+1	
		Strut RH	BP5190006R		
Fit Kit		VM80010016	1		

Comments

1 No top mounting bushes supplied, use OME3133. OE bushes may be re-used if in good condition.

2 Strut Top Hat Kit may be required if original equipment is worn.

3 Two (2) Greaseable Pin Kits required. One (1) kit for front fixed eye and one (1) kit for shackle pin for leaf spring eye.

4 The OME Upper Control Arm will provide an increase between +2.5 and +3.5 degrees of caster and up to 1.5 degrees of negative camber increase (figures based off an approximate 2" lift). Please note after fitment of Upper Control Arm a vehicle wheel alignment will be required.

5 Refer to **Leaf Spring Service Parts** section for Centre Bolt selection.

6 Does not suit OE coil.

FIT KITS & HARDWARE

Loc	Description	Part Number	Qty	Notes
F	UPPER CONTROL ARM	UCA0005	1	4
F	UPPER STRUT BUSHES	OME3133	2	1
F	STRUT TOP HAT KIT	OMETH002		2

REAR SELECTION

ALL MODELS			Part Number	Qty	Notes	
Estimated Lift 2"	No Load	Spring Multi leaf	EL111R	2		
		Shock - N/Plus	63091			
		Shock - MT64	MT64601013L/R	1+1		
	Constant 660lbs	Spring Multi leaf	EL112R	2		
		Shock - N/Plus	63091			
		Shock - MT64	MT64601014L/R	1+1		
	BP-51	Shock LH	BP5160011L	1+1		
		Shock RH	BP5160011R			
		Fit Kit	VM80010017	1		
	GREASABLE PIN KIT			OMEGP9	1	3
	U BOLT			OMEU53B	4	
	SPRING BUSH KIT			OMESB108	2	
DRIVESHAFT SPACER KIT			FK29	1		

FIT KITS & HARDWARE

Loc	Description	Part Number	Qty	Notes
R	EXTRA LEAF	EL46XL	2	
R	CENTRE BOLT			5

SERVICE PARTS

Description	Part Number	Qty	Note
OME UCA Eye Bush 2pk	UCASP012	1	
OME UCA Ball Joint 1pk	UCASP013	EA	
OME UCA Boot 2pk	UCASP014	1	

TOYOTA

TACOMA V6 & 4 CYLINDER 1998 TO 2004

INTERNATIONAL (USA)

FRONT SELECTION - Estimated Lift 1.8"

ALL MODELS		Part Number	Qty	Notes
Nitro +	Coil Spring	4006	1	
	Shock - N/Plus	93004	2	3

Comments

1 FK21 Exhaust Bracket is **mandatory** fitment to ensure exhaust system clears springs.

2 Refer to **Leaf Spring Service Parts** section for Centre Bolt selection.

3 Does not suit OE coil.

REAR SELECTION

ALL MODELS		Part Number	Qty	Notes	
Est Lift 2"	No Load	Spring Multi leaf	EL122RA/B	1+1 1	
		Shock - N/Plus	*63065 / 63062	2	
	U BOLT		OMEU53A	4	
	SPRING BUSH KIT		OMESB121	2	
	GREASABLE SHACKLE KIT		OMEGS12	1	
	EXHAUST BRACKET KIT		FK21	1	1

FIT KITS & HARDWARE

Loc	Description	Part Number	Qty	Notes
R	EXTRA LEAF	D43XL	2	
R	CENTRE BOLT		EA	2

FRONT SELECTION

ALL MODELS			Part Number	Qty	Note
Est Lift 3"	Nitro +	Spring	4052	1	
		Strut	93192	2	2
	MT-64	Spring	4053	1	
		Strut	MT64901021	2	2
	BP-51	Strut Assembly	MT64996005	2	4
		Strut - LH	BP5190026L	1+1	3
Strut - RH		BP5190026R			
	Fit Kit	VM80010071	1		

Comments

- 1** Mandatory Fitment.
- 2** Spring pre-load must be set to 20mm to achieve full lift.
- 3** Spring pre-load must be set to 30mm to achieve full lift.
- 4.** No fit kit required, pre-assembled with coil spring at maximum lift height

FIT KITS & HARDWARE

Loc	Description	Part Number	Qty	Note
F	UPPER CONTROL ARM	UCA0016	1	1
F	SWAYBAR SPACER	FK131	EA	1

REAR SELECTION

ALL MODELS			Part Number	Qty	Note
Est Lift 2"	Springs	Medium Load	2860	1	
	Nitro +	Shock	63381	2	
		MT64	Shock		
	BP-51	Shock	BP5160068	2	
		Fit Kit	VM80010072	1	

FIT KITS & HARDWARE

Loc	Description	Part Number	Qty	Note
R	BRAKE LINE SPACER KIT	FK132	1	1

TOYOTA

TUNDRA 2007 TO 2021

INTERNATIONAL (USA)

FRONT SELECTION

ALL MODELS		Part Number	Qty	Note
Estimated Lift 2.35"	No Load	Spring	2612	1
		Strut - N/Sport	90018	2 1
	0lbs - 110lbs	Spring	2614	1
		Strut - N/Sport	90018	2 1
	110lbs - 330lbs	Spring	2613	1
		Strut - N/Sport	90018	2 1
	Nitro +	Spring	4017	1
		Strut	93018	2 1,6
	BP-51	Strut - LH	BP5190010L	1+1
		Strut - RH	BP5190010R	
Fit Kit		VM80010034	1	

Comments

- 1** No top mounting bushes supplied, re-use OE bushes.
- 2** Models with rear sway bar will require end link modifications to retain sway bar in operation.
- 3** FK32 Brake Line and ABS Wire Bracket Relocation Kit is a mandatory fitment.
- 4** Please note CS055R is supplied with bushes installed.
- 5** Only fit Greaseable Shackle Kit if fitting OMESB106.
- 6** Does not suit OE coil.

REAR SELECTION

ALL MODELS		Part Number	Qty	Note	
Estimated Lift 2.35"	No Load	Multi Leaf Spring	CS055R	2 2,4	
		Shock - N/Plus	63100		
	BP-51	Shock - LH	BP5160020L	1+1	
		Shock - RH	BP5160020R		
		Fit Kit	VM80010035		
	SPRING BUSH KIT		OMESB106	2	4,5
	U BOLT		OMEU53B	4	
	FITTING KIT		FK32	1	3
	GREASABLE SHACKLE KIT		OMEGS22	1	5

FIT KITS & HARDWARE

Loc	Description	Part Number	Qty	Note
R	XL LEAF	D28XL	2	

TOYOTA

LANDCRUISER 250

INTERNATIONAL (USA)

FRONT SELECTION

2.4L PETROL I-FORCE MAX			Part Number	Qty	Note
Est Lift 75mm	Nitro +	Springs	4062	1	
			4063		
		Strut	93406	2	
	Strut - HVY	93407			
	MT64	Strut Assembly	MT64996003	2	
	BP-51	Strut - Left	BP5190029L	1+1	
		Strut - Right	BP5190029R		
Fit Kit		VM80010091	1		

Comments

1. **Mandatory** fitment with Nitrocharger Plus. Does not suit Nitrocharger Sport.
2. **Mandatory** with fitment of Nitrocharger Plus or MT64
3. **Mandatory** fitment
4. No top bushes supplied, re-use OE.
5. Complete assembly, including coil spring & top hat set to the highest lift setting

FIT KITS & HARDWARE

Loc	Description	Part Number	Qty	Note
F	UPPER CONTROL ARM	UCA0021	1	1

REAR SELECTION

ALL MODELS			Part Number	Qty	Note
Estimated Lift 50mm	Medium Load	Spring	3338	1	
		Shock - N/Plus	63409 / 63410	2	
		Shock - MT64	MT64601041		
	Constant 200kg	Spring	3339	1	
		Shock - N/Plus	63409 / 63410	2	
		Shock - MT64	MT64601041		
		Shock - MT64	MT64601042*		
	Constant 400kg	Spring	3340	1	
		Shock - N/Plus	63409 / 63410	2	
		Shock - MT64	MT64601042*		
	BP-51	Shock	BP5160070	2	
		Fit Kit	VM80010092	1	

FIT KITS & HARDWARE

Loc	Description	Part Number	Qty	Note
R	Brake Line Spacer Kit	FK134	1	3
R	Sway Bar Bracket Kit	FK137		2

VOLKSWAGEN

AMAROK 2022 ON

GLOBAL

FRONT SELECTION

ALL MODELS		Part Number	Qty	Notes	
Est Lift 20-40mm	Nitrocharger +	Spring - 40mm	4024	1	
		Spring - 20mm	4028		
		Strut	*93053/ 93052	2	1,3,4
	MT-64	Spring - 40mm	4024	1	
		Spring - 20mm	4028		
		Shock	MT64902001	2	
		Shock Heavy	MT64902002		
	BP-51	Strut - RH	BP5190015R	1	
		Strut - LH	BP5190015L		
		Fit Kit	VM80010053		

Comments

- 1 OMESB117 suits OE Shackle
OMESB118 bush kit suits OME Greasable shackle
OMEGS20
- 2 Use OMEU82 when fitting EL130R/ EL131R
Use OMEU83 when fitting EL132R
- 3 Spring selection based on Summit bar. If fitting a Sahara Bar please select down one spring.
- 4 Does not suit OE coil

FIT KITS & HARDWARE

Loc	Description	Part Number	Qty	Note
F	Upper Control Arm	UCA0009	1	
F	Upper Control Arm	UCA0015		
F	Trim Packer	FK112	EA	2

REAR SELECTION

ALL MODELS		Part Number	Qty	Note
Estimated Lift 40mm	Medium Load	Multi-Leaf Spring	EL130R	2,8,11,13
		Parabolic Spring	PB011R	2,8,11,12
		Shock - N/Sport	60172	
		Shock - N/Plus	63172	
		Shock - MT64	MT64602003L	1+1
		Shock - MT64	MT64602003R	
	Constant 300kg	Multi-Leaf Spring	EL131R	2,8,11,13
		Parabolic Spring	PB012R	2,8,11,12
		Shock - N/Sport	60172	
		Shock - N/Plus	*63173 / 63172	
		Shock - MT64	MT64602003L	
		Shock - MT64	MT64602003R	1+1
		Shock - MT64	*MT64602004L	
		Shock - MT64	*MT64602004R	
	Constant 600kg	Multi-Leaf Spring	EL132R	2,8,11,13
		Parabolic Spring	PB013R	2,8,11,12
		Shock - N/Plus	*63178 / 63173	9
		Shock - MT64	MT64602004L	
		Shock - MT64	MT64602004R	1+1
	BP-51	Shock - RH	BP5160055R	
Shock - LH		BP5160055L		
Fit Kit		VM80010052	1	
Air Bag Fit Kit		FK130	15	
AIR BAG KIT	OMEAB004			
BLUETOOTH CONTROL MODULE	0830002			
LINX PRESSURE CONTROL KIT	7450107	1	12,14	
LINX AIRBAG ISOLATION KIT	7450109			
PURGE CONTROL KIT	OMEABK001			
Greasable Shackle Kit	OMEGS20			
Greasable Pin Kit	OMEGP10	1		
Spring Bush Kit	OMESB117	2	1	
U-Bolts	OMEU82			
	OMEU83			
	OMEU91	4	2	
	OMEU92			
Extra Leaf	EL48XL		4,9	
Extra Leaf Spacer Kit	ELSK15	2		
Centre Bolt			10	

FIT KITS & HARDWARE

Loc	Description	Part Number	Qty	Note
R	Driveline Spacer Kit	FK113		3
R	Headlight Sensor Bracket	FK114		5
R	Bump Stop Adapter Kit	FK115	1	6
R	Diff Breather Extension Kit	FK116		7
R	Trim Packer	ELSK14		
R	Leaf Spring Front Eye Bolt	FK95	EA	8

Comments

- 1 OMESB117 suits OE Shackle
OMESB118 bush kit suits OME Greasable shackle OMEGS20
- 2 Use OMEU82 when fitting EL130R/ EL131R.
Use OMEU83 when fitting EL132R. Use OMEU91 when fitting PB011R/PB012R. Use OMEU92 when fitting PB013R
- 3 Fitment of Driveline Spacer Kit FK113 is recommended to re-align driveline.
- 4 EL48XL will give approximately 30mm extra lift or increase loading capacity at design height by approximately 300kg.
- 5 FK114 only required for vehicles fitted with upgraded auto levelling head lights.
- 6 FK115 Bump Stop Adapter Kit is optional but highly recommended to save fitment time
- 7 FK116 Diff Breather Extension Kit only required for vehicles fitted with Ad Blue (Europe Only - for other markets check vehicle specs)
- 8 FK95 is a recommended fitment if original leaf spring fixed eye nut bolts are in poor condition. Ensure correct torque specifications are used in supplied fitting instructions.
- 9 Use 63178 when adding an EL48XL Extra Leaf to a EL132R Leaf Spring or when carrying constant loads of 800kg and above. EL48XL will give an extra 250-300kg carrying capacity or 20-25mm lift.
- 10 Refer to **Leaf Spring Service Parts** section for Centre Bolt selection. Please note EL130R / EL131R & EL132R require 2 centre bolts per leaf.
- 11 Wildtrack model is approximately 200kg heavier and will result in 10-15mm less in ride height. Trim packers may be required.
- 12 Air Bag Kit is a **mandatory** fitment
- 13 Air Bag Kit is **not recommended** for Multi-Leaf Springs.
- 14 It is highly recommended to check compatibility on vehicles already fitted with aftermarket suspension and/or exhaust systems. For Air Bag Kit details refer to Air Bag Specification sheet at the rear of this guide.
- 15 FK130 is required when fitting OMEAB004 with BP-51's

FRONT SELECTION

V6 DIESEL ENGINE			Part Number	Qty	Note
40mm	Nitro +	Spring	4033	1	
		Strut - N/Sport	93013	2	1,6,7,9

FRONT SELECTION

4CYL DIESEL ENGINE			Part Number	Qty	Note
20mm	No Bar	Spring	3079	1	
		Strut - N/Sport	90012	2	1,2,6,7
	Nitro +	Spring	4034	1	
		Strut - N/Plus	93013* / 93012	2	1,6,7,9

FIT KITS & HARDWARE

Loc	Description	Part Number	Qty	Note
F	UPPER CONTROL ARM	UCA0008		
F	TRIM PACKER - SUITS N/SPORT	OME95PF5	EA	2

REAR SELECTION

ALL MODELS			Part Number	Qty	Note
Estimated Lift 20mm	Medium Load	Multi Leaf Spring	CS064R		3
		Shock - N/Sport	60082	2	4
		Shock - N/Plus	63082		4
	Constant 400kg	Multi Leaf Spring	CS065R		3
		Shock - N/Sport	60083	2	4
		Shock - N/Plus	63083		4
	SPRING BUSH KIT		OMESB104	2	3
	STONE GUARD KIT		OME665	1	4
	U BOLT	Medium Load	OMEU59A	4	
		Constant 400kg	OMEU59B		

FIT KITS & HARDWARE

Loc	Description	Part Number	Qty	Note
R	EXTRA LEAF	D38XL	2	5
R	CENTRE BOLT		EA	8

Comments

- 1 Top mount bump stop & bushes not supplied, re-use OE items.
- 2 For trimming purposes only, maximum 1 packer per strut.
- 3 Workshop Fitting Kit FK33 recommended for easier bush install (note: one FK33 kit required per workshop).
- 4 OME665 Lower Shock Mount Stone Guard is **mandatory** fitment to rear shocks to protect against severe stone pepping encountered on loose road surfaces.
- 5 D38XL will give approximately 12mm extra lift or increase loading capacity at design height by approximately 160kgs.
- 6 Volkswagen Service Manual quotes that driveshaft bolts are a one use only. It is recommended to replace bolts. Replacement bolts Volkswagen Part Number **N90991102** are to be sourced separately.
- 7 To ensure correct 90012 and 90013 strut fitment please refer to fitting instruction part number 3787896 Amarok Strut Fitting Guide.
- 8 Refer to **Leaf Spring Service Parts** section for Centre Bolt selection.
- 9 Does not suit OE coil.

Fitting Time: Due to the complexity of installation allow 5 hours for complete install.

SUSPENSION BUSH KIT SELECTION

MODEL	YEAR	LOC'N	DESCRIPTION	OME P/NO.	KITS REQ	BUSHES IN KITS	DIAGRAM #	NOTE
DAIHATSU								
F Series All Models	5/93 on	F	Sway bar - link lower	¹ OMESB2360	2			
		R	Sway bar - link upper	¹ OMESB2360	3	4	7	
Feroza All Models	10/88 on	F	Sway bar - link inner/outer	¹ OMESB2360	15	4	7	
Rocky All Models	4/84 to 93	F	Sway bar - link eye	OMESB0052	16	4	7	
FORD								
Courier 1 Tonne All Models	85 to 2005	F	Sway bar - link	OMESB2361	1	4	2	
		R	Spring bush	OMESB82	59	6	4	
Maverick SWB & Wagon Models	8/87 to 9/93	F	Caster Kit	OMECA77B	61	4	8	
			Coil Packer - 5mm	OMEGQPF05	82		8	
			Coil Packer - 10mm	OMEGQPF10	##		8	
			Control arm - to diff front/centre	OMESB0055	##	8	8	
			Control arm - to chassis	OMESB0056	##	4	8	
			Panhard rod	OMESB0054	##	4	8	
			Sway bar - D mount (15mm)	OMESB2365	##	2	8	
			Sway bar - link	OMESB2379	##	8	8	
		R	Coil Packer - 5mm	OMEGQPRO5	##		9	
			Coil Packer - 10mm	OMEGQPR10	##		9	
			Control arm - upper	OMESB0062	##	8	9	
			Control arm - lower	OMESB0061	##	8	9	
			Panhard rod	OMESB0054	##	4	9	
			Sway bar - link	OMESB2379	##	8	9	
Maverick Single Cab Models Leaf Springs			Spring & shackle bush kit	OMESB64	##	6	4	Suits OME springs only
Ranger USA Model Only		R	Spring bush	OMESB117	##	6	4	Suits OE shackle
		R	Spring bush	OMESB118	2	6	4	Suits OME greasable shackle OMEGS20
Ranger (not USA Model)	2022 on	R	Spring bush	OMESB117	2	6	4	Suits OE shackle
		R	Spring bush	OMESB118	2	6	4	Suits OME greasable shackle OMEGS20
Ranger PXIII	MY19 18 to 22	R	Spring bush	OMESB117	2	6	4	Suits OE shackle
		R	Spring bush	OMESB118	2	6	4	Suits OME greasable shackle OMEGS20
Ranger PX	11 to 18	R	Spring bush	OMESB117	2	6	4	Suits OE shackle
		R	Spring bush	OMESB118	2	6	4	Suits OME greasable shackle OMEGS20
GMH / ISUZU								
Drover	2/85 on	F	Spring bush	OMESB19	2	6	4	
		R	Spring bush	OMESB19	2	6	4	Suits OE & OME springs
Jackaroo / Trooper Models								
UBS 16 & 17	8/85 to 91	R	Spring & shackle bush kit	OMESB90	2	6	4	Suits OE & OME springs
Rodeo - Isuzu Pick Up Models								
All Models	81 to 87	R	Spring bush	OMESB80	2	6	4	Suits OE & OME springs
V6 Models Only	88 on	R	Spring bush	OMESB80	2	6	4	Suits OE & OME springs
LADA								
Niva	ALL	F	Coil Packer - 10mm	OMELNF10				
LAND ROVER								
Defender 90, 110 & 130, 110 Long Travel, 130 Long Travel Models	92 on	F	Caster kit	CALR2	1	4	8	Suits 44mm wide control arms
County 110 Model	84 to 92	F	Caster kit	CALR1	1	4	8	Suits 38mm wide control arms
Discovery All Models	89 to 99	F	Caster kit	CALR2	1	4	8	Suits 44mm wide control arms
Range Rover	72 to 86	F	Caster kit	CALR1	1	4	8	Suits 38mm wide control arms
Range Rover	86 to 95	F	Caster kit	CALR2	1	4	8	Suits 44mm wide control arms
Defender 110 Long Travel & BP-51 Long Travel excludes Puma Models		R	Bush Kit Trailing Arm Offset Pins	OMESB0068				16mm (Optional)
		R		OMESB0069				20mm (Optional)

1. When remaining stock of OMESB2360 is exhausted, no further product will be available.

cont.

SUSPENSION BUSH KIT SELECTION

MODEL	YEAR	LOC ^N	DESCRIPTION	OME P/NO.	KITS REQ	BUSHES IN KITS	DIAGRAM #	NOTE
MAZDA								
B2500 & B2600 (B Series 1 Tonne)	3/87 to 98	F	Sway bar - link	OMESB2361	1	4	7	
	87 to 2006	R	Spring bush	OMESB82	2	6	4	
BT-50	11 to 20	R	Spring bush	OMESB117	2	6	4	Suits OE shackle
		R	Spring bush	OMESB118	2	6	4	Suits OME greasable shackle OMEGS20
MINI								
Challenger PA Wagon (Rear Leaf Springs)	98 to 5/00	R	Spring bush	OMESB83	2	6	4	
Pajero								
NG	9/89 to 5/91	F	Sway bar - link inner	OMESB2361	1	4	2	Suits V6 & intercooled diesel models
NA, NB, NC, ND, NE, NF & NG	83 to 5/91	F	Sway bar - link inner/outer	¹ OMESB2360	2	4	2	Suits 4 cyl petrol & diesel models not
All Leaf Spring Models	5/91 on	R	Spring bush	OMESB8	2	6	4	
Triton								
Club Cab Model Only		F	Sway bar - link inner/outer	¹ OMESB2360	2	4	2	
		R	Spring bush	OMESB38	2	6	4	
MK Models	10/96 on	R	Spring & shackle bush kit	OMESB38	2	6	4	
NISSAN								
Navara D23 NP300 All	2015 on	R	Spring bush	OMESB114	2	6		Suits OE shackle
				OMESB115				Suits OME greasable shackle OMEGS24
Navara D21 All	9/85 to 97	F	Sway bar - link	OMESB2379	1	8	1	
		R	Spring & shackle bush kit	OMESB81	2	6	4	
Navara D22 All	2/97 on		Sway bar - link upper	OMESB2379	1	8	1	
		R	Spring & shackle bush kit	OMESB81	2	6	4	Suits models to 8/02
		R	Spring & shackle bush kit	OMESB91	2	6	4	Suits models 10/02 on
Pathfinder All	8/86 to 94	F	Sway bar - link	OMESB2379	1	8	1	
Patrol								
MQ (Round Head Lights)	80 to 8/84	F	Spring (front eye) bush kit	OMESB28	2	2	4	Use with OMESB29/OE springs use OMESB3
MQ (Square Head Lights)	8/84 to 87	F	Spring (front eye) bush kit	OMESB31	2	2	4	Use with OMESB29 suits OME springs
MQ All Models	80 to 87	F	Spring (rear eye) bush kit	OMESB29	2	1	4	
		R	Spring & shackle bush kit	OMESB2	2	4	4	Suits OE & OME springs
			Spring bush	OMESB29	2	1	4	Suits OME springs
Y60, GQ	11/87 to 97	F	Body mount - bumper area	¹ OMESB9090	1	4		Suits wagon & hardtops, no kit
		F	Body mount - cab front	¹ OMESB9091	1	4		Suits all wagon to 11/94 & all hardtop models
		F	Body mount - cab centre	OMESB9092	1	4		Suits all wagon & hardtop models
		F	Body mount - cab front & centre	OMESB9092	2	4		Suits pick up & CC models
		F	Caster kit - Control arm	OMECA77B	1	4	8	
		F	Control arm - to axle	OMESB0055	1	8	8	
		F	Control arm - to chassis	OMESB0056	1	4	8	
		F	Spring - eye front/rear & shackle	OMESB1	2	6	4	Suits leaf spring models
		F	Panhard rod - bush	OMESB0054	1	4	8	
		F	Sway bar - link	OMESB2379	1	8	8	Suits coil spring models
		F	Coil Packer - 5mm	OMEGQPF05				
		F	Coil Packer - 10mm	OMEGQPF10				
		R	Body mount - cab rear to axle	OMESB9092	2	4		Suits all wagon models
		R	Body mount - cab rear to axle	OMESB9092	1	4		Suits all hardtop models
		R	Panhard rod - bush	OMESB0054	1	4	9	Not suitable before
		R	Spring - eye front/rear & shackle	OMESB64	2	6	4	Leaf spring models
		R	Sway bar - link	OMESB2379	1	8	9	Suits CC models with coil suspension

1. When remaining stock of OMESB2360, OMESB9090 and OMESB9091 is exhausted, no further product will be available.

cont.

SUSPENSION BUSH KIT SELECTION

MODEL	YEAR	LOC'N	DESCRIPTION	OME P/NO.	KITS REQ	BUSHES IN KITS	DIAGRAM #	NOTES
NISSAN (Continued)								
Patrol - cont.								
Y60, GQ - (cont.)	11/87 to 97	R	Control arm - lower	OMESB0061	1	8	9	
		R	Control arm - upper	OMESB0062	1	8	9	
		R	Coil Packer - 5mm	OMEGQPR05				
		R	Coil Packer - 10mm	OMEGQPR10				
Y61, GU	10/97 on	F	Body mount - bumper area	¹ OMESB9090	1	4		Suits wagon & hardtop, no kit available for CC
		F	Body mount - cab front	¹ OMESB9091	1	4		Suits all wagon & hardtop models
		F	Body mount - cab centre	OMESB9092	1	4		Suits all wagon & hardtop models
		F	Body mount - cab front & centre	OMESB9092	2	4		Suits all CC models
		F	Caster kit - Control arm - to axle	OMECA77B	1	4	8	
		F	Control arm - to axle	OMESB0055	1	8	8	
		F	Control arm - to chassis	OMESB0056	1	4	8	
		F	Panhard rod - bush	OMESB0054	1	4	8	Suits CC all models & wagon to 02/00
		F	Sway bar - link	OMESB2379	1	8	8	Suits coil spring models to 2001
		F	Sway bar - mount 15mm	OMESB2365	1	2	8	Does not suit ZD30
		R	Body mount - cab centre to axle	OMESB9092	2	4		Suits all wagon models
			Body mount - cab centre to axle	OMESB9092	1	4		Suits all hardtop models
		R	Panhard rod - bush	OMESB0054	1	4	9	
		R	Trailing arm - lower	OMESB0061	1	8	9	
		R	Sway bar - link	OMESB2379	1	8	9	Suits CC models with coil suspension.
		R	Trailing arm - upper	OMESB0062	1	8	9	
		R	Coil Packer - 5mm	OMEGQPR05				
		R	Coil Packer - 10mm	OMEGQPR10				
SUZUKI								
Grand Vitara	To 2005	F	Coil Packer - 10mm	OMESJR10				
Jimny SN413	To 2017	R	Coil Packer - 10mm	OMESJR10				
LJ50	74 to 6/78	F	Spring Bush	OMESB25	2	4		Suits OE & OME springs
	74 to 6/78	R	Spring Bush	OMESB25	2	4		Suits OE & OME springs
LJ80	7/78 to 12/81	F	Spring Bush	OMESB19	2	4		Suits OE & OME springs
		R	Spring Bush	OMESB19	2	4		Suits OE & OME springs
Sierra SJ410 & SJ413	7/81 to 95	F	Spring Bush	OMESB19	2	4		Suits OE & OME springs
		R	Spring Bush	OMESB19	2	4		Suits OE & OME springs
TOYOTA								
4 Runner Leaf Spring Front & Rear								
4 Runner (Surf) LN60, YN60	7/84 to 10/85	F	Spring - bush kit	OMESB5	2	6	4	Suits OE & OME springs
		R	Spring - bush kit	OMESB6	2	6	4	Suits OE & OME springs
4 Runner IFS Front Leaf Spring Rear								
4 Runner (Surf) LN61, YN63	11/85 to 9/89	R	Spring - bush kit	OMESB6	2	6	4	Suits OE & OME springs
HiLux IFS Front & Coil Spring Rear								
4 Runner (Surf) LN130, RN130, VZN130, YN130	10/89 to 6/96	F	Sway bar - mount 25mm	OMESB0049	1	2	12	
		R	Sway bar - link	OMESB2915	1	8	7	Suits LN130, RN130 models
		R	Sway bar - link	OMESB3010	1	4	7	Suits VZN130, YN130 models
HiLux 4WD Leaf Spring Front & Rear								
HiLux (Surf) LN36, 46 RN36, 46	4/79 to 10/83	F	Spring - bush kit	OMESB5	2	6	4	Suits OE & OME springs
		F	Sway bar - link	OMESB2915	1	8	4	
		R	Spring - bush kit	OMESB6	2	6	4	Suits OE & OME springs
HiLux (Surf) LN65, YN 65, 67	11/83 to 9/88	F	Spring - bush kit	OMESB5	2	6	4	Suits OE & OME springs
		R	Spring - bush kit	OMESB6	2	6	4	Suits OE & OME springs

1. When remaining stock of OMESB9090 and OMESB9091 is exhausted, no further product will be available.

cont.

SUSPENSION BUSH KIT SELECTION

MODEL	YEAR	LOC'N	DESCRIPTION	OME P/NO.	KITS REQ	BUSHES IN KITS	DIAGRAM #	NOTES
TOYOTA (continued)								
HiLux 4WD Leaf Spring Front & Rear - (cont.)								
HiLux (Surf) RN105, LN106	10/88 to 11/97	F	Spring - bush kit	OMESB5	2	6	4	Suits OE & OME springs
		F	Sway bar - mount 25mm	OMESB0049	1	2	4	
		R	Spring - spring bush	OMESB6	2	6	4	Suits OE & OME springs
HiLux 4WD IFS Front & Leaf Spring Rear								
HiLux (Surf) LN107, 111, RN106, 110,	10/88 to 12/97	F	Sway bar - mount 25mm	OMESB0049	1	2	1	
		R	Spring - bush kit	OMESB43	2	6	4	Suits OME springs only
LN167, 172, RZN169, 174	11/97 on	F	Sway bar - link	OMESB2915	1	8	1	
		F	Sway bar - mount 25mm	OMESB0049	1	2	1	
		R	Spring - bush kit	OMESB43	2	6	4	Suits OME springs only
KZN165	12/99 on	F	Sway bar - link	OMESB3010	1	4	1	
		F	Sway bar - mount 25mm	OMESB0049	1	2	1	
		R	Spring - bush kit	OMESB43	2	6	4	Suits OME springs only
LandCruiser 40 Series								
BJ40, 42, FJ40, 45, JH45, 47	69 to 12/84	F	Spring - bush kit-to suit 15mm ID	OMESB30	2	6	4	Suits 35mm spring eye
		F	Spring - bush kit-to suit 18mm ID	OMESB1	2	6	4	Suits 35mm spring eye
		R	Spring - bush kit-to suit 15mm ID	OMESB30	2	6	4	Suits 35mm spring eye
		R	Spring - bush kit-to suit 18mm ID	OMESB79	2	6	4	Suits 35mm spring eye & 30mm hanger bracket
		R	Spring - bush kit-to suit 18mm ID	OMESB1	2	6	4	Suits 35mm spring eye
LandCruiser 60 Series								
FJ60, 62, HJ60, 62	11/80 to 8/87	F	Spring - bush kit	OMESB1	2	6	4	
		F	Sway bar - link	OMESB2915	1	8	4	
		R	Spring - bush kit	OMESB1	2	6	4	Suits OE & OME springs
		R	Sway bar - mount 23mm	OMESB2327	1	2	4	
FJ62, HJ60, 61	8/87 to 12/91	F	Spring - bush kit	OMESB1	2	6	4	Suits OE & OME springs
		F	Sway bar - link	OMESB2915	1	8	4	
		F	Sway bar - mount 23mm	OMESB2327	1	2	4	Suits models to 1/90
		R	Spring - bush kit	OMESB1	2	6	4	Suits OE & OME springs
		R	Sway bar - mount 23mm	OMESB2327	1	2	4	
LandCruiser 70 Series								
Bundera (Prado NZ) LJ70, RJ70	1/85 to 12/91	F	Panhard rod - bush	¹ OMESB8133	1	4	10	Suits models to 8/87
		F	Sway bar - link	OMESB2361	2	8	10	
		F	Sway bar - mount 23mm	OMESB2327	1	2	10	Suits models 8/87 -
		F	Sway bar - mount 25mm	OMESB0049	1	2	10	
BJ70, 73, 74	1/85 to 3/90	F	Spring - bush kit	OMESB1	2	6	4	Suit OE & OME springs
		F	Sway bar - link	OMESB2361	2	8	4	
		F	Sway bar - mount 23mm	OMESB2327	1	2	4	Suits models to 5/86
		F	Sway bar - mount 23mm	¹ OMESB0063	1	2	4	Suits models 6/86 on
		R	Spring - bush kit	OMESB1	2	6	4	Suits OE & OME springs
HJ75	1/85 to 3/90	F	Spring - bush kit	OMESB1	2	6	4	Suits OE & OME springs
		F	Sway bar - link	OMESB2361	2	8	4	
		F	Sway bar - mount 23mm	OMESB2327	1	2	4	Suits models to 5/86
		F	Sway bar - mount 23mm	¹ OMESB0063	1	2	4	Suits models 6/86 on
		R	Spring - bush kit	OMESB16	2	6	4	
FJ70, 73, 75	1/85 to 10/92	F	Spring - bush kit	OMESB1	2	6	4	Suits OE & OME springs
		F	Sway bar - link	OMESB2361	2	8	4	
		F	Sway bar - mount 23mm	OMESB2327	1	2	4	Suits models to 5/86
		F	Sway bar - mount 23mm	¹ OMESB0063	1	2	4	Suits models 6/86 on
		F	Sway bar - mount 25mm	OMESB0049	1	2	4	Suits FJ75 models to
		R	Spring - bush kit	OMESB16	2	6	4	Suits FJ70, 73 models
		R	Spring - bush kit	OMESB1	2	6	4	
		R	Sway bar - mount 25mm	OMESB0095	1	2	4	Suits bracket height = 38mm
FZJ70, 75, HZJ70, 73, 75	1/88 to 11/99	F	Spring - bush kit	OMESB1	2	6	4	Suits OE & OME springs

1. When remaining stock of OMESB0063 and OMESB8133 is exhausted, no further product will be available.

cont.

SUSPENSION BUSH KIT SELECTION

MODEL	YEAR	LOC'N	DESCRIPTION	OME P/NO.	KITS REQ	BUSHES IN KITS	DIAGRAM #	NOTES
TOYOTA (continued)								
LandCruiser 70 Series - cont.								
FZJ70, 75, HZJ70, 73, 75 - (cont.)	1/88 to 11/99	F	Sway bar - link	OMESB2361	2	8	4	
		F	Sway bar - mount 23mm	¹ OMESB0063	1	2	4	Suits HZJ75 models to 4/91
		F	Sway bar - mount 25mm	OMESB0049	1	2	4	Suits HZJ75 models to 4/91
		F	Sway bar - mount 25mm	OMESB0095	1	2	4	Suits 4/91 on bracket height = 38mm
		R	Spring - bush kit	OMESB16	2	6	4	Suits FJ75 models
		R	Spring - bush kit	OMESB1	2	6	4	Suits HZJ70 & 73
		R	Sway bar - mount 25mm	OMESB0095	1	2	4	Suits 4/91 on bracket height = 38mm
PZJ70, 73	3/90 to 2/91	F	Spring - bush kit	OMESB1	2	6	4	Suits OE & OME springs
		F	Sway bar - link	OMESB2361	1	8	4	
		R	Spring - bush kit	OMESB1	2	6	4	Suits OE & OME springs
FZJ78, 79, HDJ78, 79, HZJ78, 79	8/99 on	F	Caster kit	OMECA77B	1	4	10	Caster align offset 3 degree
		F	Control arm - to chassis	OMESB0050	1	4	10	
		F	Sway bar - link outer	OMESB2413	1	2	10	Contains new bolts, nuts & crush tubes
		F	Sway bar - mount 31mm	OMESB2414	1	2	10	
		F	Panhard rod - bush	OMESB0046	1	4	10	
		R	Sway bar - link inner	OMESB3010	1	4	8	
		R	Sway bar - link outer lower	OMESB0052	1	4	4	
		R	Sway bar - link outer upper	OMESB3010	1	4	4	
			Sway bar - mount 25mm	OMESB0095	1	2	4	Suits bracket height = 38mm
			Spring - bush kit	OMESB86	2	6	4	Suits FZJ / HDJ / HZJ78 models with OME
			Spring - bush kit	OMESB84	2	6	4	Suits FZJ / HDJ / HZJ79 models with OME
			Spring - bush kit	OMESB85	2	6	4	Suits all models with OME springs & greasable shackles
LandCruiser 80 Series								
FJ80, FZJ80, HDJ80, HZJ80	1/90 to 2/98	F	Caster kit	OMECA77B	1	4	10	Caster align offset 3 degree
		F	Control arm - to chassis only	OMESB0050	1	4	10	
		F	Panhard rod - bush	OMESB0046	1	4	10	
		F	Control arm - complete kit	OMESB0045	2	6	10	
		F	Sway bar - link upper	OMESB0051	1	4	10	
		F	Sway bar - link lower	OMESB0044	1	4	10	
		F	Sway bar - mount 24mm	¹ OMESB0063	1	2	10	Suits bracket height = 35mm
		F	Sway bar - mount 26mm	¹ OMESB0094	1	2	10	Suits bracket height = 35mm
		F	Sway bar - mount 26mm	¹ OMESB0091	1	2	10	Suits bracket height = 38mm
		F	Sway bar - mount 29mm	OMESB0092	1	2	10	Suits bracket height = 38mm
		F	Coil Packer - 5mm	OME80PF05			10	
		F	Coil Packer - 10mm	OME80PF10			10	
		R	Panhard rod - bush	OMESB0053	1	4	8	
		R	Sway bar - link lower	OMESB0052	1	4	8	
		R	Sway bar - link upper	OMESB3010	1	4	8	

1. When remaining stock of OMESB0063, OMESB0091 and OMESB0094 is exhausted, no further product will be available.

cont.

SUSPENSION BUSH KIT SELECTION

MODEL	YEAR	LOC'N	DESCRIPTION	OME P/NO.	KITS REQ	BUSHES IN KITS	DIAGRAM #	NOTES
TOYOTA (continued)								
LandCruiser 80 Series - (cont.)								
FJ80, FZJ80, HDJ80, HZJ80 - (cont.)	1/90 to 2/98	R	Sway bar - mount 25mm	OMESB0049	1	2	8	Suits bracket height = 35mm
		R	Sway bar - mount 25mm	OMESB0095	1	2	8	Suits large bracket height = 38mm
		R	Control arm - lower	OMESB0047	1	8	8	
		R	Control arm - upper	OMESB0048	1	8	8	
LandCruiser 100 Series								
FZJ105, HZJ105 Solid Axle	3/98 on	F	Caster kit	OMECA77B	1	4	10	Caster align offset 3 degree
		F	Control arm - complete kit	OMESB0045	2	6	10	STD replacement
		F	Control arm - to chassis only	OMESB0050	1	4	10	
		F	Panhard rod - bush	OMESB0046	1	4	10	
		F	Sway bar - link lower	OMESB0044	1	2	10	
		F	Coil Packer - 5mm	OME80PF05				
		F	Coil Packer - 10mm	OME80PF10				
		F	Sway bar - mount 29mm	OMESB0092	1	2	10	Suits large bracket height = 38mm
		R	Sway bar - link upper	OMESB3010	1	4	8	
		R	Sway bar - link lower	OMESB0052	1	4	8	
		R	Panhard rod - bush	OMESB0053	1	4	9	
		R	Sway bar - mount 25mm	OMESB0095	1	2	8	Suits bracket height = 38mm
		R	Control arm - lower	OMESB0047	1	8	8	
		R	Control arm - upper	OMESB0048	1	8	8	
		R	Coil Packer - 5mm	OME80PR05				
		R	Coil Packer - 10mm	OME80PR10				
LandCruiser Lexus								
HDJ100, UZJ100 (Lexus) IFS	3/98 on	F	Sway bar - link upper	OMESB2361	1	4	7	
		R	Sway bar - link	OMESB2915	1	8	7	
Tacoma								
Tacoma	2016 on	R	Spring - bush kit	OMESB108	2	4	4	
Tacoma V6	2005 to 2015	R	Spring - bush kit	OMESB108	2	4	4	
Tacoma V6 & 4 Cylinder	1998 to 2004	R	Spring bush	OMESB88	2	4	4	Suits OMEGS12 greasable shackles
		R	Spring bush	OMESB89	2	4	4	Suits original shackles only
		R	Spring bush	OMESB121	2	6	4	Suits OE & OMEGS12 greasable shackles
Tundra								
Tundra	2007 on	R	Spring - bush kit	OMESB106	2	6	4	Suits OMEGS122 greasable shackles

cont.

DIAGRAM REFERENCE FOR SUSPENSION BUSH KITS

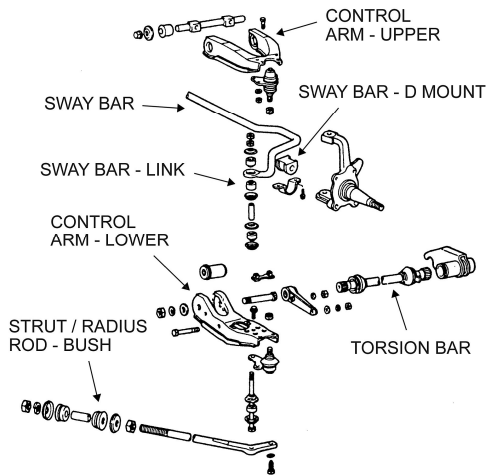


Diagram 1.

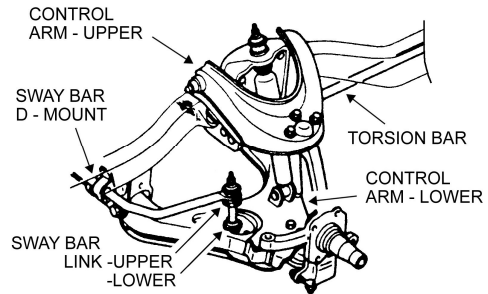


Diagram 2.

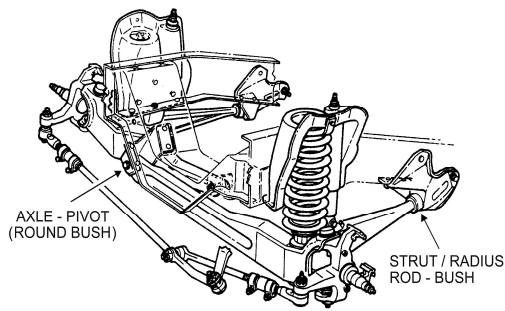


Diagram 3.

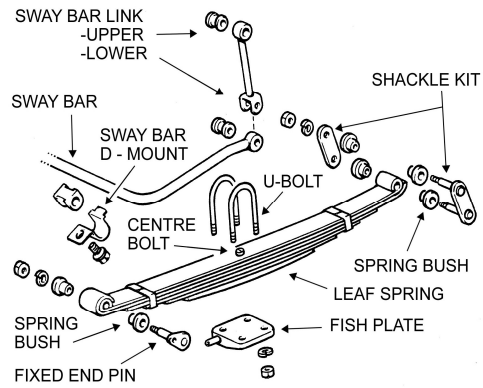


Diagram 4.

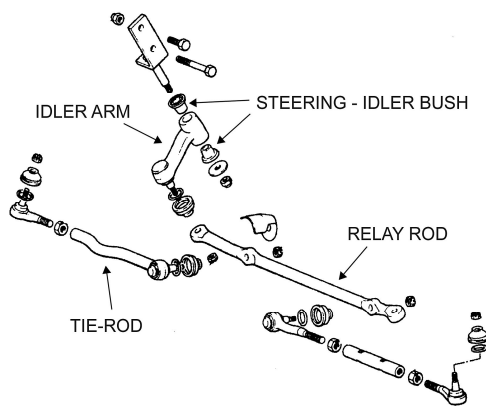


Diagram 5.

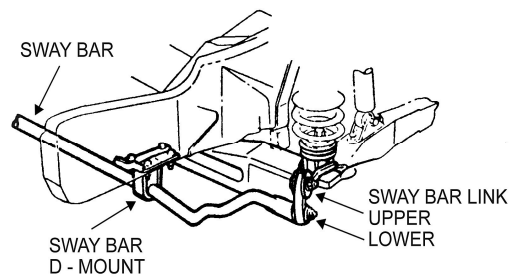


Diagram 6.

DIAGRAM REFERENCE FOR SUSPENSION BUSH KITS

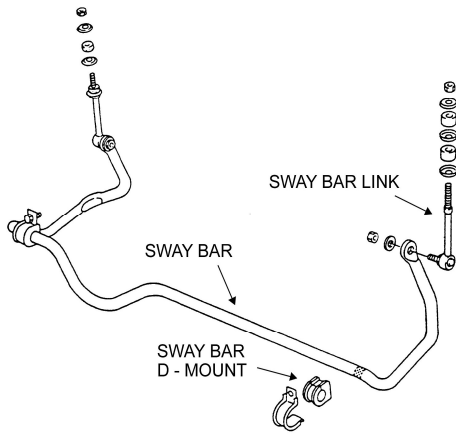


Diagram 7.

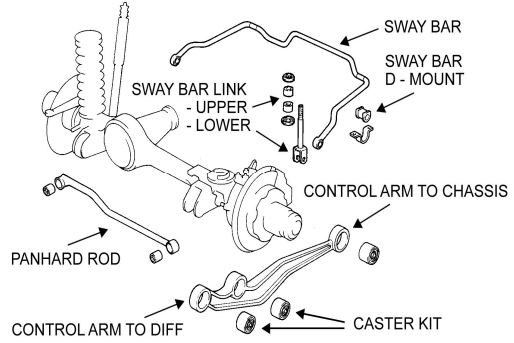


Diagram 8.

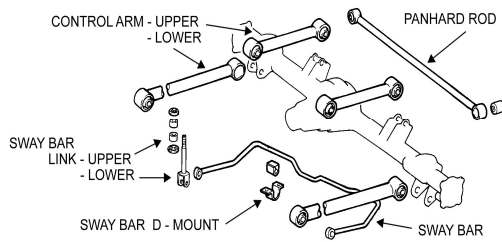


Diagram 9.

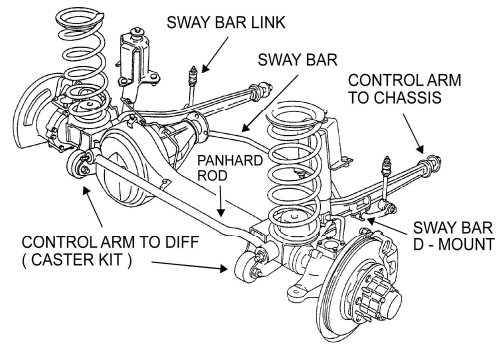


Diagram 10.

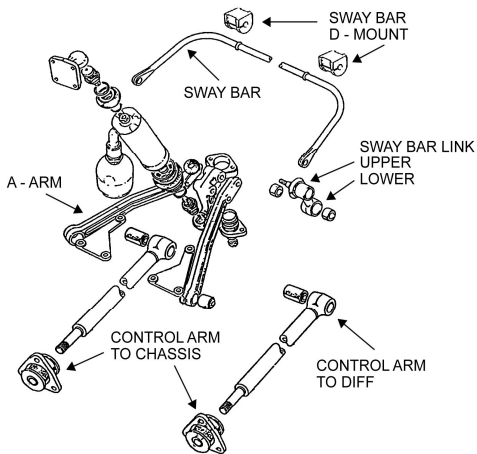


Diagram 11.

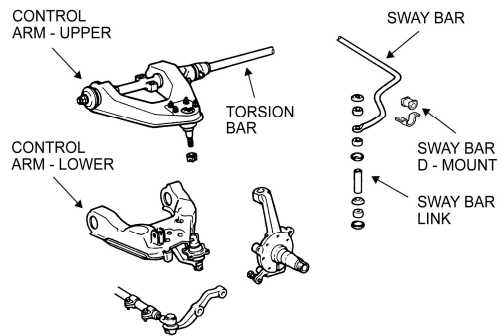


Diagram 12.

APPLICATIONS - SPECIFICATIONS - BUSH KITS

NUMERICAL SPRING & SHOCK / STRUT BUSH

Kit No.	Component Description	Qty	To Fit
OMESB1	spring bush PT260	6	Toyota 35mm spring eye, 18mm pin OE & OME Series F/H/B, J/ZJ: 75, 74, 73, 70, 60, 47, 45, 42, 40 Nissan GQ Patrol leaf spring models OME only
OMESB2	spring bush PT280	2	Nissan MQ Patrol all models - rear OE spring
	spring bush PT281	2	
OMESB3	spring bush PT282	2	
¹ OMESB4	spring bush PT230	4	LandCruiser 40 74/5 Series - OBSOLETE
	spring bush PT229	2	
OMESB5	spring bush PT240	2	Toyota HiLux & 4Runner all leaf spring models pre 1997 (not IFS front)
	spring bush PT231	4	
OMESB6	spring bush PT231	6	Toyota HiLux & 4Runner all leaf spring models pre 1997 (not IFS front, SR5, extra cab rear). 4Runner IFS rear leaf spring models (not pre 1997)
¹ OMESB7	OBSOLETE	6	Toyota FJ55 all models front & rear, 45 Series rear only OE springs 30mm eye
OMESB8	spring bush PT290	2	Mitsubishi Pajero to 1991 rear leaf spring models & L200 models
	spring bush PT291	2	
	spring bush PT292	2	
¹ OMEB9	shock bush SP1178 / 19	4	Small eye bush with 19mm bore - OBSOLETE
OMEB10	shock bush SP056 (cotton reel type)	2	Small eye shock mount
OMEB11	shock bush OME066 / 16	4	Converts large eye 19mm bore to a 16mm bore
¹ OMEB12	shock bush kit	4	Pin 12 x 60 replacement bush - OBSOLETE
OMEB13	shock bush SP091	4	Pin 10 x 60 replacement bush
OMEB14	shock bush OME1178 / 16	4	Small eye with 16mm bore
OMEB15	shock bush OME066 / 19	4	Large eye with 19mm bore
OMESB16	spring bush PT270	6	40mm spring eye for Toyota 75 series rear springs
OMEB17	shock bush OME066 / 22	2	Large eye tapered bush with sleeve
	sleeve B17S 22 x 16 x 33	2	
¹ OMEB18	OBSOLETE	2	Converts small eye bush to suit 19mm bore with sleeves
OMESB19	spring bush PT301	2	Suzuki Sierra all models except LJ50 front & rear springs
	spring bush PT302	4	
	sleeve B19S 16 x 13 x 65	1	
OMESB20	spring bush PT229	6	Toyota LandCruiser 40 series 25mm OE spring front & rear. Toyota 45 series OE front spring only 25mm eye.
OMESB25	spring bush PT301	2	Suzuki LJ50 front & rear
	spring bush PT302	2	
	spring bush PT303	2	
	sleeve 16 x 13 x 65	1	
OMEB27	sleeve 16 x 13.2 x 33	2	N41 ¹ & N81 being converted for fitment to CJ Jeep and Cherokee wagon 83 on front bottom mount. Mahindra front & rear bottom mount. 81 on F100 & Bronco.
OMESB28	spring bush PT284	2	Nissan MQ Patrol early model (round headlights) - front spring, front eye (to be fitted with OMESB29)
OMESB29	spring bush PT285 & sleeve	1	Nissan MQ Patrol all models - front spring, rear eye (to be fitted with OMESB28)
OMESB30	spring bush PT261	4	Toyota LandCruiser 45/47 Series front spring with 35mm spring eye and hanger bracket with 15mm pin hole
	spring bush PT229	2	
OMESB31	spring bush PT283	2	Nissan MQ Patrol late model (square headlights) - front spring, front eye (to be fitted with OMESB29)
OMEB36	shock bush OME066 / 19	2	large eye 19mm bore

1. When remaining stock is exhausted no further product will be available.

cont.

APPLICATIONS - SPECIFICATIONS - BUSH KITS

NUMERICAL SPRING & SHOCK / STRUT BUSH

Kit No.	Component Description	Qty	To Fit
OMESB38	spring bush PT292	2	All Triton to 1997 and L200 - rear - suits OME springs only
	spring bush PT291	2	
	spring bush PT305	2	
	sleeve 19 x 14.2 x 81	1	
OMEB40	shock bush OME 066-19MGQ	2	¹ N101, ¹ N22F & N29 Patrol GQ lower mount - rear shock
OMEB42	shock bush 305IY	8	pin 14 x 70 replacement
OMESB43	spring bush PT304	2	Toyota HiLux IFS extra cab & SR5 dual cab models being fitted with OME18 ¹ series spring. 1997 to 2004 all models, pre 1997 IFS & rear leaf models
	spring bush PT309	2	
	spring bush PT231	2	
	sleeve 19 x 14.1 x 68	1	
OMESB57	spring bush PT306	4	Jeep Wrangler YJ - front & rear to suit OE shackles Jeep Wrangler YJ - front & rear to suit OE shackles
	spring bush PT307	2	
	sleeve 19 x 15 x 73	1	
OMESB64	spring bush PT270	4	Nissan Patrol GQ leaf spring cab chassis OME spring - rear
	spring bush PT260	2	
¹ OMESB75	spring bush LA118	2	Land Rover Series III 88" & 109" spring & shackle bushes OE replacement - front OBSOLETE
	spring bush LA119	4	
	sleeve 19 x 14.3 x 91	1	
	sleeve 19 x 15 x 70	2	
¹ OMESB76	spring bush kit	6	Land Rover series III 88" & 109" spring & shackle bushes OE replacement - rear - OBSOLETE
		3	
¹ OMEB77	shock bush kit	4	Land Rover Series III 88" & 109" lower shock bush - rear - OBSOLETE
¹ OMEB78	steering damper bush kit	4	Pin 10 x 60mm steering stabiliser mount - OBSOLETE
OMESB79	spring bush PT308	4	LandCruiser F/HJ45, 47 LWB models - OME spring
	spring bush PT231A	2	
OMESB80	spring bush PT304	2	Holden / Isuzu Rodeo 1 tonne rear spring to suit OE & OME springs
	spring bush PT231	4	
	sleeve 19 x 14 x 68	1	
OMESB81	spring bush PT310	4	Nissan Navara 1 tonne rear spring to suit OE & OME springs
	spring bush PT311	2	
	sleeve 22 x 18 x 70	1	
OMESB82	spring bush PT281	2	Ford Courier 1 Tonne 4x4 1985 To 2005 All Models Mazda B Series 1 Tonne 1987 To 2006 rear spring OME only
	spring bush PT314	2	
	spring bush PT315	2	
	sleeve 22 x 17 x 68	1	
OMESB83	spring bush PT291	2	Mitsubishi Challenger 1998 to 2000 PA LWB leaf spring rear / Montero rear spring to suit OME19 ¹ only
	spring bush PT292	2	
	spring bush PT316	2	
	sleeve 22 x 16 x 80	1	
OMESB84	spring bush PT317	2	Toyota LandCruiser 79 Series cab chassis & utility model only suit OME springs only
	spring bush PT318	4	
	sleeve 20 x 14 x 86	2	
OMESB85	spring bush PT270	4	Toyota LandCruiser 78 & 79 Series must be used with OME springs & greasable shackle kit only. Toyota LandCruiser 70 Series Dual Cab.
	spring bush PT317	2	
OMESB86	spring bush PT327	2	Toyota LandCruiser 76 & 78 Series Rear suit OME springs with OE shackles.
	spring bush PT318	2	
	spring bush PT319	2	
	sleeve 20 x 14 x 86	1	
OMESB87	spring bush PT307	2	Jeep YJ Wrangler front and rear Use only with greasable shackle OMEGS11
	spring bush PT320	2	
	spring bush PT321	2	
	sleeve 19 x 15 x 73	1	
OMESB88	spring bush PT322	2	Toyota Tacoma 98 to 04 rear shackle bushes only Use with
	spring bush PT323	2	

1. When remaining stock is exhausted no further product will be available.

cont.

APPLICATIONS - SPECIFICATIONS - BUSH KITS

NUMERICAL SPRING & SHOCK / STRUT BUSH

Kit No.	Component Description	Qty	To Fit
OMESB89	spring bush PT322 spring bush PT323 sleeve 18 x 14 x 69	2 2 1	Toyota Tacoma 1998 to 2004 rear shackle bushes for OEM shackles
OMESB90	spring bush PT231 spring bush PT282	4 2	Holden/Isuzu Jackaroo Trooper 1982 to 1992 rear OME spring
OMESB91	spring bush PT310 spring bush PT311 spring bush PT326 sleeve 22 x 18 x 70	2 2 2 1	Nissan Navara D22 model - rear spring to suit OE & OME springs
OMESB93	spring bush PT260 spring bush PT317	4 2	Toyota LandCruiser HZJ71 & HZJ74
¹ OMESB95	spring bush PT326 spring bush PT331	2 2	Nissan D40 Navara suits OE shackle kit only OBSOLETE
¹ OMESB96	spring bush PT324 spring bush PT325	2 2	Nissan D40 Navara suits OME greasable shackle kit only - OBSOLETE
OMESB97	spring bush PT281 spring bush PT314 spring bush PT333 sleeve 19 x 14 x 72	2 2 2 1	Ford Ranger 06 to 11 / Mazda BT50 06 To 11
OMESB98	spring bush PT328 spring bush PT329 spring bush PT333 sleeve 19 x 14 x 72	2 2 2 1	Toyota HiLux 2005 on to suit OE & OME springs. Holden Colorado 12 on / Isuzu DMAX 12 to 2020 suits OME Greasable Shackle, OMEGS14.
OMESB99	spring bush PT282 spring bush PT326 spring bush PT331 sleeve 18 x 14 x 69	2 2 2 1	Nissan Navara D40 suits original shackle kit only.
OMESB100	spring bush PT282 spring bush PT324 spring bush PT325 sleeve 18 x 14 x 69	2 2 2 1	Nissan Navara D40 suits OME greasable shackle kit: OMEGS15
OMESB101	spring bush PT319 spring bush PT327 spring bush PT347	2 2 2	Toyota LandCruiser 79 Series suits original shackle & pin from 07/2009 on / 70 Series Dual Cab
OMESB102	spring bush PT310 spring bush PT333 spring bush PT336 sleeve 19 x 14 x 72	2 2 2 1	Ford Ranger PX 2011 to 2022 / Mazda BT-50 2011 to 2020 suits OE shackle
OMESB103	spring bush PT335 spring bush PT333 spring bush PT281 sleeve 19 x 14 x 72	2 2 2 1	Ford Ranger PX 2011 to 2022 / Mazda BT-50 2011 to 2020 suits OME greasable shackle kit OMEGS20
OMESB104	bush leaf spring VW-007 bush leaf spring VW-008	1 1	Volkswagen Amarok
OMESB105	spring bush PT324 spring bush PT311 sleeve 22 x 18 x 70	4 2 1	Nissan Navara D22 suits OME greasable shackle
OMESB106	spring bush PT317 spring bush PT282 spring bush PT333 sleeve 19 x 14 x 72	2 2 2 1	Toyota Tundra 2007 on suits OME greasable shackle OMEGS22
OMESB107	spring bush PT333 spring bush PT337 spring bush PT338 sleeve 19 x 14 x 72	2 2 2 1	Holden Colorado12 on / Isuzu DMAX 12 to 2020 suits OE shackle
OMESB108	spring bush PT333 sleeve 19 x 14 x 72	4 2	Toyota Tacoma 2016 On / Tacoma V6 05 to 15 suits OE shackle

1. When remaining stock is exhausted no further product will be available.

cont.

APPLICATIONS - SPECIFICATIONS - BUSH KITS

NUMERICAL SPRING & SHOCK / STRUT BUSH

Kit No.	Component Description	Qty	To Fit
OMESB109	spring bush PT341	4	Ford F250, F350 2011 to 2017 / F250, F350 2008 To 2010
	sleeve 26 x 20 x 89	1	
	sleeve 26 x 16 x 89	1	
OMESB113	spring bush PT345	2	Mitsubishi Triton MR, MQ suits greasable shackle OMEGS23
	spring bush PT291	2	
	spring bush PT344	2	
	sleeve 19 x 14 x 78	1	
OMESB114	spring bush PT326	4	Nissan Navara NP300 2015 on Series 1, 2, 3, 4 & 5 suits OE shackles
	spring bush PT282	2	
	sleeve 18 x 14 x 69	1	
OMESB115	spring bush PT324	4	Nissan Navara NP300 2015 on Series 1, 2, 3, 4 & 5 suits OME greasable shackle
	spring bush PT282	2	
	Sleeve 18 x 14 x 69	1	
OMESB116	spring bush PT333	2	Chevrolet Colorado 2015 on USA model
	spring bush PT346	2	
	sleeve 19 x 14 x 76	1	
	sleeve 22 x 16 x 76	1	
OMESB117	spring bush PT310	2	Ranger 2022 on (not USA model) Ranger PXIII MY19 2018 to 2022 / Ranger PX 2011 to 2018 / BT-50 2011 to 2020 suits OE shackles
	spring bush PT346	2	
	spring bush PT336	2	
	sleeve 22 x 14 x 73	1	
OMESB118	spring bush PT281	2	Ranger USA model / Ranger 2022 on / Ranger PXIII MY19 2018 to 2022 / Ranger PX 2011 to 2018 / BT-50 2011 to 2020 suits OME greasable shackle
	spring bush PT335	2	
	spring bush PT346	2	
	sleeve 22 x 14 x 73	1	
OMESB119	spring bush PT333	2	Isuzu DMAX 2021 on / Mazda BT-50 2021 on suits greasable shackle OMEGS26
	spring bush PT328	2	
	OME spring bush PT354	2	
	sleeve 19 x 14 x 73	1	
OMESB120	spring bush PT333	2	Isuzu DMAX 2021 on / Mazda BT-50 2021 on suits OE shackle
	spring bush PT337	2	
	OME spring bush PT353	2	
	sleeve 19 x 14 x 73	1	
OMESB121	spring bush PT322	2	Toyota Tacoma V6 & 4 cylinder 1998 To 2004
	spring bush PT282	4	
	sleeve 18 x14 x 69	2	
OME3101	upper bush 3101A	1	Mitsubishi Pajero 2000 to 2006 all SWB & LWB Models
	lower bush 3010B	1	
	crush tube F0043	1	
OME3121	upper bush 67257	1	Mitsubishi Pajero Sport 2015 on / Triton ML / Triton MN / Challenger 2010 to 2015
	lower bush 67258	1	
	washer 5w327	2	
	F1528 16 x 10.2 x 36	1	
OME3125	upper bush 68509A-2	1	Toyota Landcruiser 200 Series
	lower bush 68510-2	1	
	washer 5w327	2	
OME3133	upper bush 68351	1	Toyota HiLux 05 on / Prado 150 not Kakadu or SWB 09 on coil sprung / Prado 120 / FJ Cruiser / Fortuner / 4 Runner 03 on USA models / Tacoma V6 05 to 15 / Tacoma 16 on
	lower bush 68352	1	
	washer 5w327	2	
OME3134	upper bush 68201	1	Holden Trailblazer 2017 on / Colorado 7 2013 to 2016 /Colorado 2012 on / Isuzu DMAX 2012 on / MU-X 2013 on / Mazda BT-50 2021 on
	lower bush 68202	1	
	washer 5w327	2	
OME3135	upper bush 68168	1	Ford Ranger PX 2011 to 2018 / Everest 2015 to 2018 Mazda BT-50 2011 to 2020
	lower bush 68169	1	
	washer 5w327	2	
	crush tube F1281	1	

cont.

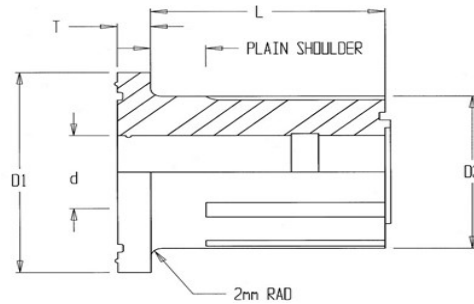
APPLICATIONS - SPECIFICATIONS - BUSH KITS

NUMERICAL SPRING & SHOCK / STRUT BUSH

Kit No.	Component Description	Qty	To Fit
OME3139	upper bush 67496	1	Nissan Navara D23 NP300 15 to 18 Series 1, 2 & 3 / D40 &
	lower bush 67496	1	USA Frontier 05 on / Pathfinder R51 05 to 2014
	washer 5w327	2	not USA model / Xterra 2005 on / Suzuki Equator USA
	crush tube F0055	1	only

SPECIFICATIONS - BUSH KITS

OLD MAN EMU POLYURETHANE SPRING BUSH DIMENSIONS



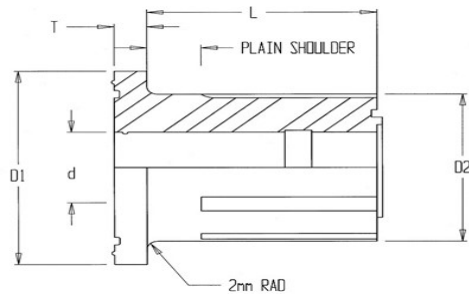
Dimensions					
Part No.	D1	D2	d	T	L
PT229	38.0	25.0	15.0	5.0	33.0
PT230	32.0	25.0	15.0	3.15	33.0
PT231	40.0	30.0	18.0	4.50	28.0
PT240	40.0	30.0	18.0	4.75	45.0
PT260	49.0	35.0	18.0	6.30	33.0
PT261	45.0	35.0	15.0	4.0	33.0
PT270	50.0	40.0	18.0	6.30	33.0
PT280	44.0	32.70	18.0	5.50	40.0
PT281	40.0	32.70	18.0	4.75	28.0
PT282	54.0	40.0	18.0	4.75	28.0
PT283	44.0	32.70	18.0	6.09	28.0
PT285	None	32.90	16.20	None	60.0
PT290	45.0	31.50	18.0	4.62	33.0
PT291	40.0	28.0	16.0	5.25	43.0
PT292	40.0	27.50	16.0	5.25	33.0
PT301	50.0	40.0	16.0	7.90	23.0
PT302	40.0	30.0	13.0	4.20	23.0
PT304	52.0	40.0	19.0	4.75	28.0
PT305	43.0	31.5	19.0	5.80	33.0
PT306	44.0	31.60	18.0	6.0	28.0
PT307	50.0	37.6	19.0	6.0	28.0
PT309	40.0	30.0	18.0	4.20	38.0
PT310	42.0	32.70	20.0	4.50	28.0
PT311	52.0	40.0	22.2	5.25	28.0
PT314	44.0	32.0	18.0	5.3	38.0
PT315	40.0	32.7	22.2	4.20	28.0
PT316	43.0	31.5	22.2	5.25	33.0
PT317	53.0	40.0	18.0	6.30	41.0
PT318	53.0	40.0	20.0	8.40	33.0
PT319	53.0	40.0	18.0	10.50	33.0
PT320	44.0	31.50	18.0	6.85	28.0
PT321	44.0	32.0	18.0	5.25	31.0
PT322	41.0	30.0	18.0	4.20	42.0
PT323	41.0	30.0	18.0	4.75	28.0
PT324	40.0	32.70	19.0	4.20	28.0
PT325	40.0	33.0	19.0	4.20	42.0
PT326	41.0	32.70	20.0	4.20	28.0
PT327	53.0	40.0	18.0	8.40	41.0
PT328	40.0	30.0	19.0	4.20	28.0
PT329	42.0	30.0	19.0	4.20	42.0
³ PT330	54.0	39.60	19.0	6.30	28.0
PT331	48.0	33.0	20.0	4.20	42.0
PT333	56.0	40.0	19.0	6.85	28.0
PT335	45.0	32.0	18.0	4.75	47.0

1. When remaining stock is exhausted no further product will be available.

cont.

SPECIFICATIONS - BUSH KITS

OLD MAN EMU POLYURETHANE SPRING BUSH DIMENSIONS



Dimensions					
Part No.	D1	D2	d	T	L
PT336	42.0	32.0	20.0	4.50	47.0
PT337	39.0	30.0	18.0	4.20	28.0
PT338	39.0	30.0	18.0	4.50	42.0
PT341	50.0	42.0	26.0	6.75	36.0
PT342	50.0	40.0	21.20	5.25	28.0
PT343	50.0	42.0	21.20	5.25	28.0
PT344	52.0	40.0	19.0	9.50	28.0
PT345	41.0	27.0	16.0	5.25	28.0
PT346	65.0	50.0	22.20	6.85	28.0
PT347	53.0	40.0	18.0	9.20	33.0
PT353	39.0	30.0	19.0	3.70	50.5
PT354	40.0	30.0	20.0	4.20	50.5

SPECIFICATIONS - FITTING KITS

SUSPENSION FITTING KITS

Part No.	Contains	Vehicle	Position	Refer to:
FK01	16 x Flat Washer	Toyota LC 60 Series	Front	Manual Sec. 4 GFI - Front suspension installation
FK03	2 x Saddle Correction Plate	HiLux Pre 1997 Petrol	Front	Manual Sec. 4 GFI - Front suspension installation
FK0411	4 x Retainer Spacer 11mm	Toyota LC 60 Series	Rear	Manual Sec. 4 GFI
FK0418	4 x Retainer Spacer 18mm	Toyota LC 60 Series	Rear	Manual Sec. 4 GFI
FK0422	4 x Retainer Spacer 22mm	Toyota LC 60 Series	Rear	Manual Sec. 4 GFI - Rear suspension installation
FK047	4 x Retainer Spacer 7mm	Toyota LC 60 Series	Rear	Manual Sec. 4 GFI - Rear suspension installation
FK06	2 x Stabiliser Bar Packer 3mm	Drover / Sierra (SJ413)	Front	Manual Sec. 4 GFI - Front suspension installation
FK08	2 x Anti-Inversion Plate	Toyota LC 60, 75 Series All 40 & 70 Series, Nissan GQ Patrol, Ford Maverick ute & c/c	Front & Rear	Manual Sec. 8 Technical - Shackle Modification
FK09	2 x Anti-Inversion Plate	Toyota HiLux All Models	Rear	Manual Sec. 8 Technical - Shackle Modification
FK10	2 x Short Gussett Plate 2 x Long Gussett Plate	HiLux Pre 97 Petrol & Diesel Used Off Road	Front	Manual Sec. 8 Technical - HiLux Front Springs
FK13	2 x Anti-Inversion Side Plate	Toyota HiLux All Models	Rear	Manual Sec. 4 GFI
FK14	2 x Anti-Inversion Plate	Isuzu 1 Tonne P/Up	Rear	Fitting instructions supplied with kit
FK15	2 x Anti-Inversion Side Plate	HiLux / Tiger 97 to 04	Rear	Fitting instructions supplied with kit
FK16	2 x 20mm Bump Stop Spacer	Jeep Wrangler TJ	Rear	Fitting instructions supplied with kit
FK18	2 x Bracket 3 x Bolt 3 x Washer 3 x Nut	Nissan GU Patrol	Rear Sway Bar	Fitting instructions supplied with kit
FK19	4 x Spacer Plate 4 x 35mm Bolt 4 x Spring Washer	LandCruiser 70S DC, 76S Wagon, 78S & 79S SC Models	Front Sway Bar	Fitting instructions supplied with kit
FK20	6 x Spacer Plate 8 x Bolt M8 x 1.25 x 35mm 8 x Flat Washer	Land Rover Discovery 1999 on Models	Front Cross Member	Fitting instructions supplied with kit
FK21	1 x Bracket 2 x Bolt M8 2 x Flat Washer 2 x Hex Nut	Toyota Tacoma V6 & 4 cylinder 1998 to 2004	Rear Exhaust Bracket	
FK22	2 x Shock Tower Support 2 x Captive Nut 4 x Bolt M10 x 1.5 x 30mm 4 x Flat Washer 4 x Spring Washer	Ford Courier 85 to 05 1 tonne pickup / Ranger PJ 12/06 to 11 / Mazda B Series 87 to 06 / BT-50 12/06 to 11	Front	Fitting instructions
FK23	1 x Strut Adaptor	Toyota RAV 4 1998 to 2000	Front	Fitting instructions
FK24	2 x Bracket 6 x Bolt 11 x Flat Washer 6 x Nut Nyloc	Nissan Y61 Patrol with stabiliser bar release	Rear Sway Bar	Fitting instructions
FK25	2 x Spacer Block 4 x Bolt 4 x Flat Washer 4 x Spring Washer	Nissan Y61 Patrol Oil Pan Kit	Front	Fitting instructions
FK26	2 x Side Plate	Isuzu DMAX & Holden Colorado RC 08 to 11 Holden Rodeo 03 to 11	Rear	Fitting instructions supplied with kit
FK27	2 x Support Bracket	Toyota LandCruiser 100 Series IFS	Torsion Bar Locating Bracket	Fitting instructions supplied with kit
FK28	2 x Spacer 2 x Stud	Suzuki XL7 2001 to 2005	Front	Fitting instructions supplied with kit
FK29	2 x Spacer 2 x Bolt M10 x 1.25 x 35mm 2 x Flat Washer M10 x 25mm 2 x Spring Washer M10 x 1/8	Toyota Fortuner 2015 on Toyota Tacoma 2016 on Toyota Tacoma V6 2005 to 2015	Rear Drive Shaft	Fitting Instructions
FK30	2 x Anti-Inversion Bracket	Triton MK / L200 to 96	Rear	Fitting Instructions
FK31	1 x Bracket 6 x Bolt 4 x Nut x M10 2 x Nut x M10 Caged 3.3 6 x Spring Washer 10 x Flat Washer	Ford F250, F350 1999 to 2004 Dual Cab Models / 2005 to 2008 Crew Cab Models	Rear	Fitting instructions
FK32	1 x 3199908 Bracket 1 x 3199909 Kit 2 x Bolt M8 x 1.25 x 20 2 x Hex Nyloc Nut	Toyota Tundra 2007 on	Front	Fitting instructions

1. When remaining stock is exhausted no further product will be available.

cont.

SPECIFICATIONS - FITTING KITS

SUSPENSION FITTING KITS

Part No.	Contains	Vehicle	Position	Refer to:
FK32 (cont.)	4 x Flat Washer	Toyota Tundra 2007 on	Front	Fitting instructions
FK33	Spring Bush Installation Tool	Volkswagen VK Amarok	Front	Fitting Instructions
FK34	2 x Bracket	Toyota LandCruiser 78 Series	Rear Sway Bar Mounts	Fitting Instructions
FK35	1 x Spacer 2 x Bolt 2 x Nut 2 x Washer	Ford F250, F350 1999 to 2004 / F250, F350 2005 to 2008 Xtra Cab Models	Rear	Fitting Instructions
FK36	4 x Bracket 8 x Bolt M8 x 1.25 x 20 8 x Nut M8 x 1.25 16 x Washer	Ford F250, F350 2005 to 2008 V8 Diesel Coil Spring Models	Front	Fitting instructions supplied with kit
FK37	1 x Bracket 2 x Bump Stop Spacer 1 x Extension Plate 4 x Packer 2 x Bolt M14 x 1.5 2 x Nut M14 x 1.5 8 x Washer 2 x Bolt M12 x 1.25 2 x Nut M12 x 1.25 4 x Bolt M8 x 1.25 x 20 4 x Flanged Nuts M8 x 1.25	Jeep Wrangler JK LHD 2006 to 2017 2 & 4 Door Models	Rear	Fitting instructions supplied with kit
FK38	2 x Anti-Inversion Plate	Toyota LandCruiser 76 Series Wagon	Rear	Fitting instructions supplied with kit
FK39	1 x Bracket 2 x Bump Stop Spacer 1 x Extension Plate 4 x Packer 2 x Bolt M14 x 1.5 2 x Nut M14 x 1.5 8 x Washer 2 x Bolt M12 x 1.25 2 x Nut M12 x 1.25 4 x Bolt M8 x 1.25 x 20 4 x Flanged Nut M8 x 1.25	Jeep Wrangler JK RHD 2006 to 2017 2 & 4 Door Models	Rear	Fitting instructions supplied with kit
FK40	4 x Bump Stop Spacer 2 x Bolt M10 x 1.5 x 75 4 x Bolt M8 x 1.25 x 70 4 x Washer 2 x Flanged Nut 4 x Nut Nyloc	Jeep Wrangler JK Off Road Use	Front & Rear	Fitting instructions supplied with kit
FK41	2 x Bracket Assembly Bump Stop Spacer	Nissan GU Patrol - Leaf Sprung	Rear	Fitting instructions supplied with kit
FK42	2 x Sway Bar Packer 4 x Bolt M10 x 1.25 x 35 4 x Flat Washer M10 4 x Spring Washer M10	Nissan Xterra 2005 on	Rear	Fitting instructions supplied with kit
FK43	4 x Backing Plate 4 x Backing Plate Wear Clip 4 x Bolt M8 x 1.25 4 x Nyloc Hex Lock Nut 4 x Tube Spacer	Nissan Y61 Patrol - Leaf Sprung	Rear	Fitting instructions supplied with kit
FK44	2 x Saddle Bracket 2 x HD Bar Bracket (1 x RH, 1 x LH) 10 x Flat Washer M8 x 17 10 x Bolt M8 x 1.25 x 25 10 x M8 Spring Washer	Toyota LandCruiser 76/78/79 Series	Rear	Fitting instructions supplied with kit
FK45	2 x Axle Mount Bracket (1 x RH, 1 x LH) 1 x OMEU74 U Bolt 1 x OMEU75 U Bolt 2 x Saddle Bracket 1 x Brake Line Bracket 2 x Dropper Bracket (1 x RH, 1 x LH) 3 x Spacer Wing Mount 1 x Grub Screw M10 x 1.25 x 10 1 x M10 Flat Washer 1 x Nut Flange M10 x 1.25 9 x Flat Washer M8 x 17 9 x BZ Bolt M8 x 1.25 x 25	Toyota LandCruiser 76/78/79 Series	Rear	Fitting instructions supplied with kit

cont.

SPECIFICATIONS - FITTING KITS

SUSPENSION FITTING KITS

Part No.	Contains	Vehicle	Position	Refer to:
FK45 (cont.)	9 x Spring Washer M8 x 3/32 x 3/32	Toyota LandCruiser 76/78/79S	Rear	Fitting instructions supplied with kit
FK46	2 x Front Brake Line Bracket (1 x RH, 1 x LH) 2 x Rear Brake Line Bracket (1 x RH, 1 x LH) 1 x Hand Brake Bracket 6 x Bolt M6 x 1.0 x 20 8.8BZ 10 x Washer M6 x 20 16G 5 x Nyloc Nut M6 x 1 2 x Spring Washer M6 x 2.5 x 1.6 2 x Caged Nut M6 1.7 - 2.5	Jeep Wrangler JK Off Road Use	Front Rear	
FK47	1 x Track Bar Bracket 1 x Track Bracket Spacer 2 x U Bolt 1 x Bolt M14 x 1.5PX80 2 x Spacing Washer M14 x 23.5 x 5mm 1 x Nyloc Nut M14 x 1.5	Jeep Wrangler JK LHD Off Road Use	Rear	
FK47RHD	1 x Track Bar Bracket 1 x Track Bar Bracket Spacer 2 x U Bolt 1 x Bolt M14 x 1.5PX80 2 x Spacing Washer M14 x 23.5 x 5mm 1 x Nyloc Nut M14 x 1.5	Jeep Wrangler JK RHD Off Road Use	Rear	
FK48	2 x Front Sway Bar Link 2 x Rear Sway Bar Link 2 x Dis-Connect Pin 2 x Park Pin 2 x Sway Bar Bracket (1 x RH, 1 x LH) 2 x R-Clip 3.0 TZP 2 x Bolt 7/16 x 3 1/2 GR5 4 x Flat Washer 7/16 2 x Spring Washer 7/16 x 5/32 x 3/32 2 x Nut 7/16 2 x Nyloc Nut M12 2 x Nyloc Nut M10 x 1.25 2 x Flat Washer 1/2 x 1 1/8 x 3mm 2 x Flat Washer M10 x 20.6 x 2mm Fitting Grease	Jeep Wrangler JK Off Road Use	Front Rear	
FK49	8 x Driveline Packer 3 x Crossmember Spacer 2 x Flange Bolt M14 x 1.5 x 110 GR10.9 2 x Flange Bolt M14 x 1.5 x 10 GR10.9 4 x Flange Nut Conelock M14 x 1.5 Class 10 3 x Bolt M12 x 1.5 x 50mm 8.8 3 x Flat Washer 1/2 x 1 1/8 x 3mm 3 x Spring Washer 1/2 x 3/16 x 1/8 2 x Cable Tie 4.8 x 200mm	Jeep Wrangler JK Off Road Use	Front Rear	
FK50	1 x Stabiliser Plate 1 x Stabiliser Spacer 1 x Bolt M10 x 1.25 x 25 8.8 1 x Flat Washer M10 x 20.6 x 2mm 1 x Flange Nut M10 x 1.25 FP	Jeep Wrangler JK 2006 to 2017 2 & 4 Door Models	Front	Fitting instructions supplied with kit NB: Mandatory on 06 to 08 LHS models when fitting OMESD48.
FK51	2 x Brake Proportioning Bracket 2 x Flange Nut M8 x 1.25 BZ 2 x Flat Washer M8 x 17 x 1.2 2 x Bolt M8 x 1.25PX20	Toyota LandCruiser pre 08/2016 production 70S DC / 76S Wagon / 78S / 79S SC	Rear	Fitting instructions supplied with kit NB: Check 79S & 70S DC prior to kit selection. Not required for BP-51
FK53	4 x Driveline Packer 2 x Flange Bolt M14 x 1.5 x 110 GR10.9 2 x Flange Nut Conelock M14 x 1.5 Class 10	Jeep Wrangler JK 2006 to 2017 2 & 4 Door Models & Off Road Use	Front	Fitting instructions supplied with kit
FK56	1 x Packer Strut 5mm	Ford Everest 15 to 18 PXII 2015 to 2018 PXI 2011 to 2015 Mazda BT-50 11 to 20	Front	Fitting instructions supplied with kit
FK57	12 x Flat Washer M14 x 25 x 4 2 x Spring Washer M14 x 4mm x 3mm 2 x Female Bolt M10 x 25 x 1.5 8.8	Ford Ranger 11 to 22 Mazda BT-50 11 to 20	Centre Bearing	Fitting instructions supplied with kit
FK58	2 x Brake Proportioning Bracket 2 x Flange Nut M8 x 1.25 BZ 2 x Flat Washer M8 x 17 x 1.2 2 x Bolt M8 x 1.25PX20 4.6 2 x Spring Washer M8 x 3/32 x 3/32	Toyota LandCruiser pre 08/2016 production 70S DC / 76S Wagon / 78S / 79S SC	Rear	Fitting instructions supplied with kit NB: Check 79S & 70S DC prior to kit selection. Not required for BP-51
FK59	1 x Brake Prop. Bracket	Toyota HiLux / Vigo 05 to 15	Rear	Fitting instructions supplied with kit

cont.

SPECIFICATIONS - FITTING KITS

SUSPENSION FITTING KITS

Part No.	Contains	Vehicle	Position	Refer to:
FK59 (cont.)	1 x Bolt M8 x 1.25PX20 8.8 1 x Hex Lock M8 x 1.25 2 x Flat Washer M8 x 17 x 1.6 1 x Spring Washer M8 x 3/32 x 3/32	Toyota HiLux / Vigo 2005 to 2015	Rear	Fitting instructions supplied with kit
FK61	1 x Rear Panhard Bracket 1 x Spacer Bracket 2 x U Bolt 1 x M14 x 1.5 x 80 Bolt 1 x M14 x 1.5 Nyloc Nut 2 x M14 x 23.5 x 5mm Spacing Washer 2 x Bump Spacer Bracket 4 x M8 x 1.25 x 20 Hex Bolt 4 x M8 x 1.25 Nut Flange 4 x M8 x 17 x 1.6 Flat Washer	Jeep Wrangler JK 2" 2006 to 2017 RHD	Rear	Fitting instructions supplied with kit
FK62	2 x Front Bracket 2 x Rear Bracket 4 x M8 x 1.25 Bolt 8 x M8 x 17 Flat Washer 8 x M8 Nut Flange 4 x M8 x 1.25 x 50 Bolt	Land Rover Defender 110 & 130 Long Travel	Front Rear	Fitting instructions supplied with kit
FK63	2 x Front Bracket 2 x Rear Bracket 16 x M8 x 1.25 x 25 Bolt 16 x M8 x 17 Flat Washer 16 x M8 Nut Flange 8 x M10 Screw Hex 8 x M10 Flat Washer 8 x M10 Nut Flange	Land Rover Defender 110 & 130 Long Travel	Front Rear	Fitting instructions supplied with kit
FK64	1 x LH Bracket 1 x RH Bracket	Defender 110 & 130 / 110 & 130 Long Travel Discovery to 1998 Land Rover 90 Series Range Rover To 5/1995	Rear	Fitting instructions supplied with kit
FK65	1 x LH Bracket 1 x RH Bracket 2 x M8 Caged Nut 2 x Bolt M8 x 16 x 1.25 2 x Flat Washer M8 x 17 2 x Spring Washer M8	Toyota LandCruiser pre 08/2016 production 70S DC / 76S Wagon / 78S / 79S SC	Front Brakes	Fitting instructions supplied with kit
FK66	2 x Bracket Leaf Cable 2 x Hex HD Bolt M8 x 16 x 1.25 2 x Hex Lock Nut Nyloc M8 x 1.25 4 x Flat Washer M8 x 17 x 1.6 ZP	Isuzu DMAX CC & LSM 2012 on Models	Rear	Fitting instructions supplied with kit
FK68	2 x Front Sway Bar Link 2 x Dis-Connect Pin 2 x Park Pin 1 x RH Sway Bar Bracket 1 x Sway Bar Bracket 2 x R-Clip 3.0 Tzp 2 x Bolt 7/16 x 3 1/2 GR5 4 x Flat Washer 7/16 2 x Spring Washer 7/16 x 5/32 x 3/32 2 x Nut 7/16 2 x Nut Nyloc M12 2 x Nut Nyloc M10 x 1.25 2 x Flat Washer 1/2 x 1 1/8 x 3mm 2 x Flat Washer M10 x 20.6 x 2mm Fitting Grease	Jeep Wrangler JK 2006 to 2017	Front	
FK69	1 x Bracket Panhard Superduty	Ford F250/F350 08 to 17	Front	Fitting instructions supplied with kit
FK70	1 x Bracket RAD ARM GEN3 Superduty R 1 x Bracket RAD ARM GEN3 Superduty L 4 x Bolt Hex M18 2.5 x 130 GR10.9 4 x Nut Nyloc M18 2.5 GR10.9 8 x Washer Flat 3/4 Zinc 2 x Bolt M12 x 1.75 x 35MMZP 2 x M12 1.75 Nyloc 2 x M12 Spring Washer 4 x M12 Flat Washer	Ford F250, F350 2011 to 2017	Front	Fitting instructions supplied with kit
FK71	1 x Bracket Brakeline Superduty R	Ford F250, F350 2008 to 2017	Front	Fitting instructions supplied with kit

cont.

SPECIFICATIONS - FITTING KITS

SUSPENSION FITTING KITS

Part No.	Contains	Vehicle	Position	Refer to:
FK71 (cont.)	1 x Bracket Brakeline Superduty L 2 x Plate ESC Outside Superduty 2 x Plate ESC Inside Superduty 2 x Bracket ESC Top Superduty 4 x Bolt HXHD M6 x 1.0 x 25 GR8.8 BTZP480 4 x Nut Hex Nyloc M6 x 1.0 GR8.8 BTZP480 8 x Washer F M6 x 16 x 1.2 PTZP480 2 x Bolt M8 x 1.25 x 70 CUP SQU BLKZP 2 x Nut Hex Nyloc M8 x 1.25 GR8.8 BTZP480 2 x Nut M10 Caged 1231-B 2 x M10 1.5 x 20 ZP 2 x M10 Spring Washer 2 x M10 Flat Washer	Ford F250, F350 2008 to 2017	Front	Fitting instructions supplied with kit
FK72	2 x Bracket Sway Bar Superduty 4 x Bolt M12 x 1.75 x 35MMZP 4 x M12 x 1.75 Nyloc Nut 4 x Washer Spring 1/2 8 x M12 Flat Washer	Ford F250, F350 2008 to 2017	Front	Fitting instructions supplied with kit
FK73	2 x Spacer Bump Front Superduty 2 x M8 1.25 x 50 GR8.8 2 x M8 Flat Washer 2 x M8 Spring Washer	Ford F250, F350 2008 to 2017	Front	Fitting instructions supplied with kit
FK74	1 x Packer Trim 10mm F Superduty	Ford F250/F350 08 to 17	Front	
FK76	2 x Saddle Bracket 2 x HD Bar Bracket (1 x RH, 1 x LH) 10 x Flat Washer M8 x 17 10 x Bolt M8 x 1.25 x 25 10 x M8 Spring Washer	Toyota LandCruiser 70S DC / 78S / 79S SC Models with OE axle sway bar mount	Rear	Fitting instructions supplied with kit
FK77	2 x Axle Mount Bracket (1 x RH, 1 x LH) 1 x OMEU74 U Bolt 1 x OMEU75 U Bolt 2 x Saddle Bracket 1 x Brake Line Bracket 2 x Dropper Bracket (1 x RH, 1 x LH) 3 x Spacer Wing Mount 1 x Grub Screw M10 x 1.25 x 10 1 x M10 Flat Washer 1 x Nut Flange M10 x 1.25 9 x Flat Washer M8 x 17 9 x BZ Bolt M8 x 1.25 x 25 9 x Spring Washer M8 x 3/32 x 3/32	Toyota LandCruiser 70S DC / 78S / 79S SC Models without OE sway bar provision	Rear	Fitting instructions supplied with kit
FK78	1 x Bracket	Nissan GU Cab Chassis	Rear	Fitting instructions supplied with kit
FK79	1 x Strut Packer	Jeep WK2	Front	
FK80	1 x Bracket RAD ARM GEN3 Superduty R 1 x Bracket RAD ARM GEN3 Superduty L 4 x Bolt Hex M18 2.5 x 130 GR10.9 4 x Nut Nyloc M18 2.5 GR10.9 8 x Washer Flat 3/4 Zinc 2 x Bolt M12 x 1.75 x 35MMZP 2 x M12 1.75 Nyloc 2 x M12 Spring Washer 4 x M12 Flat Washer	Ford F250, F350 2008 to 2010	Front	Fitting instructions supplied with kit
FK81	1 x Caster Plate L 1 x Caster Plate R 4 x M8 x 1.25P x 20 4 x Hex Nut Nylon 8 x M8 Flat Washer 1 x Nylon Nut M18 1 x 3/4 Flat Washer	Ford F250, F350 2008 to 2017	Front	Fitting Instructions
FK82	2 x Brake Line Drop Bracket 2 x M8 x 1.25P x 20 1 x Hex Nut Nylon 3 x Flat Washer M8 x 17 1 x M8 Spring Washer 1 x M8 Caged Nut	Toyota LandCruiser 70S DC / 76S Wagon / 78S / 79S SC 2014 to 08/2016	Rear Brake Line	Fitting Instructions
FK83	2 x Bump Spare Plate	Navara NP300 15 on Series 1, 2, 3, 4 & 5	Rear Leaf Spring	Fitting Instructions
FK84	1 x Plate Packer	Navara NP300 15 on Series 1, 2, 3, 4 & 5	Front Strut	

cont.

SPECIFICATIONS - FITTING KITS

SUSPENSION FITTING KITS

Part No.	Contains	Vehicle	Position	Refer to:
FK85	2 x Sway Bar Brackets 1 x Pot Bracket 2 x M12 x 1.75 x 30 Bolt 4 x Washer M12 x 27 x 4mm 2 x M12 x 1.75 Nyloc Nut 1 x M8 x 1.25 x 20 Bolt 1 x Washer M8 x 17 x 1.6m	Navara NP300 15 on Series 1, 2, 3, 4 & 5	Rear Coil Spring	Fitting Instructions
FK86	1 x Extension Bracket 2 x Bolt M6 x 10 2 x M6 Spring Washer 2 x Washer M6 x 1.6 x 20	Toyota HiLux 2015 on SR5 Model	Rear	Fitting Instructions
FK87	2 x Bolt M8 x 1.25 x 12 HD TZP480 1 x Bracket Colorado Brake Line 1 x Bracket Colorado Brake Line 2 x Nut Hex Lock Nyloc M8 x 1.25 2 x Bolt M8 x 1.25 x 16 Hex HD TZP480 8 x Washer Flat M8 x 20 x 2 Black	Holden Colorado 2016 on	Rear	Fitting instructions supplied with kit
FK89	3 x Spacer Cross Member 3 x Bolt M12 x 1.5 x 50mm Class 8.8 ZP 3 x Washer Flat 1/2 x 1, 1/8 x 3mm ZP 3 x Washer Spring 1/2 x 3 / 16 x 1/8 ZP	Jeep Wrangler JK 2006 to 2017	Cross Member Spacer Kit	Fitting Instructions
FK91	1 x Bolt M16 x 2.0 x 100 10.9 1 x Nut M16 x 2.0 10.9	Chevrolet Colorado 2015 on USA model	Rear Leaf Springs	Fitting Instructions
FK92	2 x Spacer JK Bump Stop Front 2 x Bracket Bump Spacer JL	Jeep Wrangler JL 2018 on	Front	Fitting instructions supplied with kit
FK93	2 x Front Sway Bar Link 2 x Rear Sway Bar Link	Jeep Wrangler JL 2018 on	Front Rear	Fitting Instructions
FK94	1 x Packer 5mm, Strut PXIII	Ford Ranger USA model Ranger PXIII / Everest MY19 2018 to 2021	Front	Fitting instructions supplied with kit
FK95	2 x 14 x 1.5 x 100 10.9 Bolt 2 x 14 x 1.5 Class 10 Nut	Ford Ranger USA model / Ranger 2022 on / Ranger PXIII	Rear	Fitting instructions supplied with kit
FK96	1 x Panhard Bracket 2 x Bump Stops 1 x Fitting Kit 6177431	Suzuki Jimny 2018 on	Rear Axle	Fitting Instructions
FK97	1 x Sensor Bracket	Suzuki Jimny 2018 on	Rear	Fitting Instructions
FK99	1 x Brake Extention Bracket 1 x Locate Plate 3 x Bolt HXHD M6 x 1.0 x 20 PC8.8 TZP480 6 x Flat Washer M6 x 16 x 1.2 HV300 ZP 3 x Nut Hex Nyloc 6 x 1.0 TZP480 2 x Bolt HXHD FL M12 x 1.25 x 150 PC11.9 ZAB1000 4 x Washer Flat M12 x 26 x 4 HV300 TZP480	Suzuki Jimny 2018 on	Rear	Fitting instructions supplied with kit
FK100	4 x Bump Spacer Plate 4 x COHD Bolt M8 x 1.25 x 35 BZP 4 x Nut Hex Nyloc M8 x 1.25 ZNB480 4 x Washer Flat M8 x 16.6 x 1.2 BTZP480	Jeep Wrangler JL 2018 On SWB / LWB 3.6L Petrol Engine & LWB 2.2L Diesel Engine Models	Rear	
FK102	Dodge Rear Shock Folded Steel Tool	Chrysler Dodge RAM 1500 DS	Rear	
FK105	2 x Sway Bar Link Front 2 x Sway Bar Link Rear 1 x Washer 12.1 ID x 40 OD x 4mm 1 x 250µm x 200mm Plastic Tubing OME	Jeep Wrangler JL	Front Rear	Fitting instructions supplied with kit
FK109	1 x Track Bar Rear Assembly Bracket 1 x Bolt HXHD FL M16x2.0x90 1 x nut flange M16x2.0 1 x track bar bracket spacer 1 x Bolt HXHD M14x1.5x40 1 x Bolt HXHD FL M8x1.25x20 1 x Nut Flange M8x1.25 1 x Hardline relocation bracket	Ford Bronco 2021 On (USA)	Rear	Fitting instructions supplied with kit
FK110	4 x front strut plate spacer	Ford Bronco 2021 On (USA)	Front	Fitting instructions supplied with kit
FK111	4 x Plate Spacer 4 x Plate Spacer 6 x nut flange M10x1.5 PC10 ZAS1000	Ford Bronco 2021 On (USA)	Rear	Fitting instructions supplied with kit
FK112	1 x Packer Strut (not USA Ranger model)	Ford Ranger MY22/Everest MY22	Front	Fitting instructions supplied with kit
FK113	2 x Bolt HXHD FL M10 x 1.5 x 75 2 x Washer Flat M10 x 25 x 3 6 x Washer Flat M10 x 30 x 5	Ford Ranger 2022 on (not USA Ranger model)	Rear	Fitting instructions supplied with kit

1. When remaining stock is exhausted no further product will be available.

cont.

SPECIFICATIONS - FITTING KITS

SUSPENSION FITTING KITS

Part No.	Contains	Vehicle	Position	Refer to:
FK113 (cont.)	2 x Spacer Zeon Internal Hawse	Ford Ranger 2022 on (not USA Ranger model)	Rear	Fitting instructions supplied with kit
FK114	1 x Bracket Rear Headlight	Ford Ranger 2022 on (not USA)	Rear	Fitting instructions supplied with kit
FK115	1 x Bump Stop Adapter	Ford Ranger 2022 on (not USA)	Rear	Fitting instructions supplied with kit
FK116	1 x Fitting hose barb 8mm to 8mm 1 x hose 8id x 1.5mm wall x 150mm	Ford Ranger 2022 on (not USA)	Rear	Fitting instructions supplied with kit
FK119	1 x Reverse Light Assembly RHS 1 x Reverse Light Assembly LHS	Toyota Landcruiser 300 Series	Rear	Fitting instructions supplied with kit
FKWTJ01	1 x 45mm Panhard Rod Extention Bracket 2 x Spacer Washer Flat 12 x 36 x 4 ZTY120 3 x Bolt HXHD M12 x 1.25 x 30 PC8.8 ZP 6 x Washer Flat 1/2 x 1 1/8 x 3mm ZP 3 x Spring Washer 1/2 x 3/16 x 1/8 ZP 3 x Nut Hex M12 x 1.25 TZP480	Jeep Wrangler TJ RHD	Rear	Fitting instructions supplied with kit
FKWTJ02	1 x Extention Bracket 1 x Sleeve Panhard Rod Extention 1 x Bolt HXHD M12 x 1.25 x 25 ZP 1 x Bolt HXHD M12 x 1.25 x 65 PC8.8 ZP 1 x Bolt HXHD M10 x 1.25 x 25 PC8.8 ZP 2 x Nut Hex M12 x 1.25 TZP480 1 x Nut Hex M10 x 1.25 TZP480 4 x Nut Hex M10 x 1.25 TZP480 2 x Washer Spring 1/2 x 3/16 x 1/8 ZP 2 x Washer Flat M10 x 25 x 3 TZP480 1 x Washer Spring M10 x 1/8 x 1/8 TZP480	Jeep Wrangler TJ & TJ Unlimited 1997 to 2006 LHD	Rear	Fitting instructions supplied with kit
GQGK01	4 x Spacer Plate 8 x Hex. Bolt 8 x Flat Washer 8 x Spring Washer	Nissan GQ Y61 Patrol Off Road Use, GQ Y60 SWB, LWB & CC coil spring / Ford Maverick	Gearbox Cross Member	Manual Sec. 4 GFI Patrol Gearbox Spacer Kit
GQGK02	4 x Spacer Plate 9 x Spacer 12mm 8 x Bolt M12 x 1.25 x 70mm 17 x Spring Washer 17 x Flat Washer 6 x Bolt M8 x 1.25 x 40mm 3 x Bolts M8 x 1.25 x 35mm	Nissan GU Y61 Patrol SWB Model	Gearbox	Fitting instructions
JWGK01	6 x Spacer Plate 6 x Bolt Spacer 6 x 2" Bolt	Jeep Wrangler TJ & TJ Unlimited to 2003 / YJ 1986 to 1996	Gearbox	Fitting instructions supplied with kit
JWGK02	6 x Spacer Plate 6 x Bolt 17 x Flat Washer 17 x Spring Washer	Jeep Wrangler TJ & TJ Unlimited 2003 to 2006 Manual Models	Gearbox	Fitting instructions
JWGK03	8 x Spacer Plate 8 x Bolt 8 x Flat Washer 8 x Spring Washer	Jeep Wrangler TJ & TJ Unlimited 2003 to 2006 Auto Models	Gearbox	Fitting instructions
OMETH001	1 x Bearing Plate 1 x Rubber Isolator 2 x Loose Rubber Bushes 1 x Dome Washer 1 x Cupped Washer 1 x Crush Tube 3 x Mounting Nuts M10 x 1.25 Dirt Shield Included	Mitsubishi Pajero Sport 15 on / Challenger 10 to 15 / Triton MQ / MN / ML	Front One side only on ML	
OMETH002	1 x Bearing Plate With Bonded Lower Bush 1 x Rubber Isolator 2 x Bonded Rubber Bushes (One On Washer One On Bearing Plate) 1 x Loose Washer 1 x Bonded Washer (One On Rubber Bush) 3 x Mounting Nuts M10 x 1.25	Toyota 4 Runner (USA) 03 on / FJ Cruiser 06 on / Fortuner 04 on / HiLux 05 on / Prado 150 Series / Prado 120 Series / Tacoma V6 05 to 15 / Tacoma 16 on	Front One side only on HiLux 05 On	
OMETH003	1 x Bearing Plate With Bonded Lower Bush 1 x Rubber Isolator 2 x Bonded Rubber Bushes (One On Washer One On Bearing Plate) 1 x Loose Washer 1 x Bonded Washer (One On Rubber Bush) 4 x Mounting Nuts M10 x 1.25	Toyota LandCruiser 200 Series & 200 Series Armoured	Front One side only 200 Series	

cont.

SPECIFICATIONS - FITTING KITS

SUSPENSION FITTING KITS

Part No.	Contains	Vehicle	Position	Refer to:
OMETH004	1 x Bearing Plate With Bonded Lower Bush 1 x Rubber Isolator 2 x Bonded Rubber Bushes (One On Washer One On Bearing Plate) 1 x Loose Washer 1 x Bonded Washer (One On Rubber Bush) 3 x Mounting Nuts M10 x 1.50	Holden Trailblazer 2017 on / Colorado 7 2013 to 2016 / Colorado 2012 on Isuzu DMAX 2012 on / MU-X 2013 on / Mazda BT-50 20 on	Front One side only	
OMETH005	1 x Bearing Plate 1 x Rubber Isolator & Bush Combined 1 x Loose Rubber Bush 2 x Cupped Washers Sized Differently 1 x Crush Tube 3 x Mounting Nuts M10 x 1.50	Navara D23 NP300 15 on Series 1, 2, 3, 4 & 5 / D40 05 on / Pathfinder R51 05 to 14 / Xterra 05 on Suzuki Equator USA only	Front One side only D40	
OMETH006	1 x Bearing Plate 1 x Rubber Isolator 2 x Loose Rubber Bushes 2 x Cupped Washers 1 x Crush Tube 3 x Mounting Nuts M12 x 1.75	Ford Everest 15 to 18 / Ford Ranger 11 to 22 / Mazda BT-50 11 to 20	Front One side only One side only	
OMETH007	1 x Bearing Plate 1 x Rubber Isolator 2 x Loose Rubber Bushes 1 x Dome Washer 1 x Cupped Washer 1 x Crush Tube 3 x Mounting Nuts M10 x 1.25	Mitsubishi SWB Pajero 2000 on / Montero 2000 on / LWB Pajero 2000 to 2006 / Montero 2000 to 2006 / Pajero 2007 on All LWB	Front One side only	
XJGK01	4 x 10mm Packer 2 x 6mm Packer 4 x M10 x 1.5 x 50 8.8 Bolt 4 x 3/8 x 3/4 Flat Washer 4 x M10 Spring Washer 1 x 25mm Spacer 1 x M8 x 1.25 x 40 8.8 Bolt 1 x M8 x 17 Flat Washer 1 x M8 Spring Washer	Jeep Cherokee XJ Wagon 1984 to 2001	Gearbox	Fitting instructions supplied with kit

SPECIFICATIONS - LEAF SPRINGS

LEAF SPRING SERVICE PARTS

Spring Part Number	Replacement Centre Bolt	Interleaf Liner		Clip Liner		Trim Packer (EA)	Leaf Spacers (SPK)	Extra Leaf	Extra Leaf Spacer Kit	Extra Leaf / Trim Packer Centre Bolt
		SRBC60A	SRBC60B	Part No.	Qty.					
CS001F	UCB8	0	8	CLK13	1	ELSK06	ELSK04	D3XL	N/A	UCB8
CS001R	UCB8	0	6	CLK14	1	ELSK06	ELSK04	D4XL	N/A	UCB8
CS002F	UCB8	0	8	CLK13	1	ELSK06	ELSK04	D3XL	N/A	UCB8
CS002R	UCB8	0	6	CLK14	1	ELSK06	ELSK04	D4XL	N/A	UCB8
CS003F	UCB3	0	4	CLK11	1	ELSK06	ELSK04	D1XL	N/A	UCB3
CS003R	UCB4	0	6	CLK201	1	ELSK06	ELSK04	D8XL	N/A	UCB4
CS004F	UCB3	0	6	CLK11	1	ELSK06	ELSK04	D1XL	N/A	UCB3
CS004RA	UCB2	0	6	CLK113A	1	ELSK06	ELSK04	D2XL	N/A	UCB2
CS004RB	UCB2	0	6	CLK113B	1	ELSK06	ELSK04	D2XL	N/A	UCB2
CS005F	UCB3	0	6	CLK11	1	ELSK06	ELSK04	N/A	N/A	N/A
CS005RA	UCB2	0	6	CLK113A	1	ELSK06	ELSK04	D2XL	N/A	UCB2
CS005RB	UCB2	0	6	CLK113B	1	ELSK06	ELSK04	D2XL	N/A	UCB2
CS006F	UCB5	0	7	CLK57	1	ELSK06	ELSK04	D16XL	N/A	UCB5
CS006R	UCB4	0	6	CLK39	1	ELSK06	ELSK04	D25XL	N/A	UCB4
CS007F	UCB5	0	7	CLK57	1	ELSK06	ELSK04	N/A	N/A	N/A
CS007R	UCB4	0	6	CLK39	1	ELSK06	ELSK04	D25XL	N/A	UCB4
CS008FA	UCB7	0	6	CLK9	1	ELSK05	ELSK10	D17XL	N/A	UCB7
CS008FB	UCB7	0	4	CLK9	1	ELSK05	ELSK10	D17XL	N/A	UCB7
CS008R	UCB4	0	6	CLK39	1	ELSK06	ELSK04	D25XL	N/A	UCB4
CS009FA	UCB7	0	4	CLK9	1	ELSK05	ELSK10	D17XL	N/A	UCB7
CS009FB	UCB7	0	4	CLK9	1	ELSK05	ELSK10	D17XL	N/A	UCB7
CS009R	UCB6	0	3	CLK17	1	ELSK05	ELSK10	D5XL	N/A	UCB6
CS010FA	UCB5	0	6	CLK3	1	ELSK05	ELSK10	D11XL	N/A	UCB5
CS010FB	UCB5	0	6	CLK3	1	ELSK05	ELSK10	D11XL	N/A	UCB5
CS010R	UCB6	0	3	CLK17	1	ELSK06	ELSK04	D5XL	N/A	UCB6
CS011FA	UCB5	0	6	CLK3	1	ELSK05	ELSK10	N/A	N/A	N/A
CS011FB	UCB5	0	6	CLK3	1	ELSK05	ELSK10	N/A	N/A	N/A
CS011R	UCB1	0	10	CLK4	1	ELSK05	ELSK10	D12XL	N/A	UCB1
CS012FA	UCB7	0	2	CLKJ1	1	N/A	N/A	D20XL	N/A	UCB7
CS012FB	UCB7	0	2	CLKJ1	1	N/A	N/A	D20XL	N/A	UCB7
CS012R	UCB1	0	10	CLK4	1	ELSK05	ELSK10	D12XL	N/A	UCB1
CS013FA	UCB7	0	2	CLK13D	1	N/A	N/A	D20XL	N/A	UCB7
CS013FB	UCB7	0	2	CLK13D	1	N/A	N/A	D20XL	N/A	UCB7
CS013R ¹	UCB17	0	4	CLK15D	1	ELSK06	ELSK04	D14XL	N/A	UCB17
CS014F	UCB09	0	4	CLK13D	1	ELSK05	ELSK10	D23XL	N/A	UCB09
CS014R ¹	UCB17	0	4	CLK15D	1	ELSK06	ELSK04	D14XL	N/A	UCB17
CS015F ¹	UCB18	0	4	CLK6	1	N/A	N/A	N/A	N/A	N/A
CS015R ¹	UCB17	0	4	CLK15D	1	ELSK06	ELSK04	D14XL	N/A	UCB17
CS016F	UCB17	0	8	CLK39	1	ELSK05	ELSK10	D30XL	N/A	UCB17
CS016RA	UCB11	0	4	CLK6	1	ELSK06	ELSK04	D15XL	N/A	UCB11
CS016RB	UCB11	0	4	CLK6	1	ELSK06	ELSK04	D15XL	N/A	UCB11
CS017RA	UCB2	0	8	CLK221	1	ELSK06	ELSK04	D2XL	N/A	UCB2
CS017RB	UCB2	0	8	CLK221	1	ELSK06	ELSK04	D2XL	N/A	UCB2
CS018F	UCB18	0	10	CLK39	1	N/A	N/A	N/A	N/A	N/A
CS018R	UCB6	0	2	CLK18	1	ELSK05	ELSK10	N/A	N/A	N/A
CS019R	UCB6	0	2	CLK18	1	ELSK05	ELSK10	D6XL	N/A	UCB6
CS020R	UCB6	0	2	CLK18	1	ELSK05	ELSK10	D6XL	N/A	UCB6
CS021R	UCB6	0	2	CLK58D	1	ELSK05	ELSK10	D6XL	N/A	UCB6
CS022R	UCB5	0	6	CLK22	1	ELSK06	ELSK04	D32XL	N/A	UCB10
CS023R	UCB5	0	6	CLK22	1	ELSK06	ELSK04	N/A	N/A	N/A
CS024R	UCB15	0	4	CLKROD	1	ELSK05	ELSK10	N/A	N/A	N/A
CS026R	UCB17	0	4	CLK26D	1	ELSK05	ELSK10	D9XL	N/A	UCB17

1. When remaining stock of is exhausted no further product will be available.

cont.

SPECIFICATIONS - LEAF SPRINGS

LEAF SPRING SERVICE PARTS

Spring Part Number	Replacement Centre Bolt	Interleaf Liner		Clip Liner		Trim Packer (EA)	Leaf Spacers (SPK)	Extra Leaf	Extra Leaf Spacer Kit	Extra Leaf / Trim Packer Centre Bolt
		SRBC60A	SRBC60B	Part No.	Qty.					
CS027R	UCB17	0	4	CLK26D	1	ELSK05	ELSK10	D9XL	N/A	UCB17
CS028R	UCB12	0	4	CLK17	1	ELSK05	ELSK10	D19XL	N/A	UCB16
CS029R	UCB16	0	2	CLK17	1	ELSK05	ELSK10	D19XL	N/A	UCB16
CS030R	UCB13	0	2	CLKNN	1	ELSK05	ELSK10	D18XL	N/A	UCB14
CS031R	UCB13	0	2	CLKNN	1	ELSK05	ELSK10	D18XL	N/A	UCB14
CS032R	UCB13	0	2	CLKNN	1	ELSK05	ELSK10	D18XL	N/A	UCB14
CS033RA	UCB8	0	6	CLK33D	1	ELSK05	ELSK10	D22XL	N/A	UCB8
CS033RB	UCB8	0	6	CLK33D	1	ELSK05	ELSK10	D22XL	N/A	UCB8
CS034RA	UCB8	0	6	CLK3	1	ELSK05	ELSK10	D22XL	N/A	UCB8
CS034RB	UCB8	0	6	CLK3	1	ELSK05	ELSK10	D22XL	N/A	UCB8
CS035RA	UCB8	0	6	CLKJ2	1	ELSK05	ELSK10	D22XL	N/A	UCB8
CS035RB	UCB8	0	6	CLKJ2	1	ELSK05	ELSK10	D22XL	N/A	UCB8
CS036R	UCB09	0	4	CLKJ1	1	ELSK05	ELSK10	D24XL	N/A	UCB09
CS037R	UCB09	0	4	CLK4	1	N/A	N/A	D24XL	N/A	UCB09
CS038R	UCB7	0	4	CLK38D	1	N/A	N/A	D21XL	N/A	UCB7
CS039R	UCB7	0	4	CLK38D	1	N/A	N/A	D21XL	N/A	UCB7
CS040R	UCB5	0	2	CLK40D	1	ELSK06	ELSK04	D7XL	N/A	UCB5
CS041R	UCB5	0	2	CLK40D	1	ELSK06	ELSK04	D7XL	N/A	UCB5
CS042R	UCB5	0	4	CLK6	1	N/A	N/A	D10XL	N/A	UCB5
CS043R ¹	UCB14	0	4	CLK43D	1	ELSK05	ELSK10	D13XL	N/A	UCB14
CS043R-15	UCB14	0	4	CLK43D	1	ELSK05	ELSK10	D13XL	N/A	UCB14
CS044R ¹	UCB14	0	4	CLK43D	1	ELSK05	ELSK10	D13XL	N/A	UCB14
CS045R ¹	UCB14	0	4	CLK43D	1	ELSK05	ELSK10	D13XL	N/A	UCB14
CS046RA	UCB14	0	6	CLK6	1	ELSK05	ELSK10	N/A	N/A	N/A
CS046RB	UCB14	0	6	CLK6	1	ELSK05	ELSK10	N/A	N/A	N/A
CS047R ¹	UCB17	0	4	CLK6	1	ELSK05	ELSK10	D29XL	N/A	UCB17
CS048R	UCB10	0	2	CLK48D	1	N/A	N/A	D27XL	N/A	UCB10
CS049R ¹	UCB19	0	4	CLK4	1	ELSK05	ELSK10	D34XL	N/A	UCB19
CS053R	UCB5	0	2	CLK17	1	ELSK06	ELSK04	D32XL	N/A	UCB10
CS054R	UCB5	0	2	CLK17	1	ELSK06	ELSK04	D32XL	N/A	UCB10
CS055R		0	4	CLK55D	1	ELSK05	ELSK10	D28XL	N/A	N/A
CS056R	UCB19	0	4	CLK4	1	ELSK05	ELSK10	D34XL	N/A	UCB19
CS057R	UCB17	0	4	CLK57D	1	ELSK06	ELSK04	D35XL	N/A	UCB17
CS058R	UCB17	0	4	CLK58D	1	ELSK06	ELSK04	D35XL	N/A	UCB17
CS059R	UCB5	0	6	CLK4	1	N/A	N/A	D36XL	N/A	N/A
CS060R	UCB19	0	8	CLK15D	1	ELSK05	ELSK10	D34XL	N/A	UCB19
CS061R	UCB5	0	4	CLK4	1	ELSK05	ELSK10	D37XL	N/A	N/A
CS062R	UCB15	0	4	CLKROD	1	ELSK05	ELSK10	D26XL	N/A	UCB15
CS063R	UCB15	0	4	CLKROD	1	ELSK05	ELSK10	D26XL	N/A	UCB15
CS064R	UCB17	0	4	CLK15D	1	ELSK06	ELSK04	D38XL	N/A	UCB17
CS065R	UCB17	0	4	CLK15D	1	ELSK06	ELSK04	D38XL	N/A	UCB17
CS066R ¹	UCB17	0	10	CLK15D	1	ELSK06	ELSK04	D14XL	N/A	UCB4
CS068R ¹	UCB19	0	8	CLK39	1	ELSK05	ELSK10	D34XL	N/A	UCB19
CS069R ¹	UCB19	0	10	CLK15D	1	ELSK05	ELSK10	D34XL	N/A	UCB19
CS070R	UCB17	0	8	CLK58D	1	ELSK06	ELSK04	N/A	N/A	UCB17
CS071R ¹	UCB14	0	6	CLK43D	1	ELSK05	ELSK10	D13XL	N/A	UCB14
CS150R	UCB19	0	6	CLK33D	1	ELSK05	ELSK10	D31XL	N/A	UCB19
CS151R	UCB19	0	6	CLK33D	1	ELSK05	ELSK10	D31XL	N/A	UCB19
EL013R ¹	UCB19	2	2	ELSK01	1	ELSK06	ELSK04	EL14XL	ELSK13	N/A
EL014R ¹	UCB19	2	2	ELSK01	1	ELSK06	ELSK04	EL14XL	ELSK13	N/A
EL015R ¹	UCB19	2	2	ELSK01	1	ELSK06	ELSK04	EL14XL	ELSK13	N/A
EL043R	UCB19	2	4	ELSK01	1	ELSK05	ELSK10	EL13XL	ELSK12	N/A
EL044R	UCB19	4	2	ELSK01	1	ELSK05	ELSK10	EL13XL	ELSK12	N/A

1. When remaining stock is exhausted no further product will be available.

cont.

SPECIFICATIONS - LEAF SPRINGS

LEAF SPRING SERVICE PARTS

Spring Part Number	Replacement Centre Bolt	Interleaf Liner		Clip Liner		Trim Packer (EA)	Leaf Spacers (SPK)	Extra Leaf	Extra Leaf Spacer Kit	Extra Leaf / Trim Packer Centre Bolt
		SRBC60A	SRBC60B	Part No.	Qty.					
EL045R	UCB19	4	4	ELSK01	1	ELSK05	ELSK10	EL13XL	ELSK12	UCB19
EL049R	UCB19	4	2	ELSK01	1	ELSK05	ELSK10	EL34XL	ELSK12	N/A
EL066R ¹	UCB19	12	2	ELSK01	1	ELSK06	ELSK04	EL14XL	ELSK12	UCB10
EL068R ¹	UCB19	6	2	ELSK01	1	ELSK05	ELSK10	EL34XL	ELSK12	UCB19
EL069R ¹	UCB19	6	4	ELSK01	1	ELSK05	ELSK10	EL34XL	ELSK12	UCB4
EL071R	UCB19	6	4	ELSK01	1	ELSK05	ELSK10	EL13XL	ELSK12	UCB19
EL072R ¹	UCB19	2	2	ELSK01	1	ELSK05	ELSK10	EL39XL	ELSK12	N/A
EL073R ¹	UCB19	4	2	ELSK01	1	ELSK05	ELSK10	EL39XL	ELSK12	N/A
EL074R ¹	UCB19	4	4	ELSK01	1	ELSK05	ELSK10	EL39XL	ELSK12	N/A
EL077R	UCB21	12	0	ELSK01	1	N/A	N/A	EL40XL	N/A	UCB21
EL079R ¹	UCB19	4	4	ELSK01	1	ELSK06	ELSK04	EL14XL	N/A	N/A
EL080R ¹	UCB19	4	4	ELSK01	1	ELSK06	ELSK04	EL14XL	N/A	N/A
EL081R ¹	UCB10	4	6	ELSK01	1	ELSK06	ELSK04	EL14XL	N/A	N/A
EL082R ¹	UCB10	12	2	ELSK01	1	ELSK06	ELSK04	EL14XL	N/A	UCB10
EL083R ¹	UCB19	4	4	ELSK01	1	ELSK05	ELSK10	EL43XL	ELSK12	UCB19
EL084R ¹	UCB10	8	4	ELSK01	1	ELSK05	ELSK10	EL43XL	ELSK12	UCB10
EL085R ¹	UCB10	8	4	ELSK01	1	ELSK05	ELSK10	EL43XL	ELSK12	UCB4
EL086R ¹	UCB19	4	4	ELSK01	1	ELSK05	ELSK10	EL44XL	ELSK12	UCB19
EL087R ¹	UCB19	4	6	ELSK01	1	ELSK05	ELSK10	EL44XL	ELSK12	UCB19
EL088R ¹	UCB19	4	4	ELSK01	1	ELSK05	ELSK10	EL44XL	ELSK12	UCB19
EL089R ¹	UCB19	0	6	ELSK01	1	ELSK05	ELSK10	EL45XL	ELSK12	UCB19
EL090R ¹	UCB19	2	6	ELSK01	1	ELSK05	ELSK10	EL45XL	ELSK12	UCB19
EL091R ¹	UCB19	2	6	ELSK01	1	ELSK05	ELSK10	EL45XL	ELSK12	UCB19
EL092R	UCB19	4	4	ELSK01	1	ELSK05	ELSK10	EL43XL	ELSK12	UCB19
EL093R	UCB10	8	4	ELSK01	1	ELSK05	ELSK10	EL43XL	ELSK12	UCB10
EL094R	UCB10	8	4	ELSK01	1	ELSK05	ELSK10	EL43XL	ELSK12	UCB4
EL095R ¹	UCB17	2	4	ELSK01	1	ELSK05	ELSK10	EL46XL	ELSK12	N/A
EL096R ¹	UCB17	4	4	ELSK01	1	ELSK05	ELSK10	EL46XL	ELSK12	UCB17
EL100R	UCB5	2	2	CLS308240	4	ELSK05	ELSK10	EL47XL	ELSK12	UCB5
EL101R	UCB17	4	2	CLS308255	4	ELSK05	ELSK10	EL47XL	ELSK12	UCB17
EL102R ¹	UCB19	4	2	CLS308255	4	ELSK05	ELSK10	EL34XL	ELSK12	UCB19
				CLS308265	2					
EL103R ¹	UCB19	6	2	CLS308265	2	ELSK05	ELSK10	EL34XL	ELSK12	UCB19
				CLS308270	6					
EL104R ¹	UCB19	8	2	CLS308265	2	ELSK05	ELSK10	EL34XL	ELSK12	UCB4
				CLS308285	4					
EL105R	UCB19	4	2	CLS308245	2	ELSK05	ELSK10	EL45XL	ELSK12	UCB19
				CLS308255	4					
EL106R	UCB19	4	4	CLS308245	2	ELSK05	ELSK10	EL45XL	ELSK12	UCB19
				CLS308260	4					
EL107R	UCB19	4	4	CLS308245	2	ELSK05	ELSK10	EL45XL	ELSK12	UCB4
				CLS308285	4					
EL108R	UCB19	2	2	CLS308240	2	ELSK05	ELSK10	EL39XL	ELSK12	UCB19
				CLS308265	2					
EL109R	UCB19	4	2	CLS308255	4	ELSK05	ELSK10	EL39XL	ELSK12	UCB19
				CLS308265	2					
EL110R	UCB19	5	3	CLS308270	4	ELSK05	ELSK10	EL39XL	ELSK12	UCB19
				CLS308285	2					
EL111R	UCB19	4	2	CLS308250	4	ELSK05	ELSK10	EL46XL	ELSK12	UCB19
				CLS308265	2					
				CLS308295	2					
EL112R	UCB19	6	2	CLS308250	4	ELSK05	ELSK10	EL46XL	ELSK12	UCB4
				CLS308265	2					
				CLS3082100	2					

1. When remaining stock is exhausted no further product will be available.

cont.

SPECIFICATIONS - LEAF SPRINGS

LEAF SPRING SERVICE PARTS

Spring Part Number	Replacement Centre Bolt	Interleaf Liner		Clip Liner		Trim Packer (EA)	Leaf Spacers (SPK)	Extra Leaf	Extra Leaf Spacer Kit	Extra Leaf / Trim Packer Centre Bolt
		SRBC60A	SRBC60B	Part No.	Qty.					
EL113R	UCB19	4	4	CLS308260	4	ELSK06	N/A	EL14XL	ELSK13	N/A
				CLS308295	2					
EL114R	UCB19	4	4	CLS308260	4	ELSK06	N/A	EL14XL	ELSK13	N/A
				CLS308295	2					
EL115R	UCB10	4	6	CLS308265	4	ELSK06	N/A	EL14XL	ELSK13	N/A
				CLS3082105	2					
EL116R	UCB10	12	2	CLS3082100	4	ELSK06	N/A	EL14XL	ELSK13	UCB10
				CLS3082105	2					
EL117R	UCB19	6	2	CLS308255	4	ELSK05	ELSK10	EL44XL	ELSK12	UCB19
				CLS308260	2					
EL118R	UCB19	6	4	CLS308255	4	ELSK05	ELSK10	EL44XL	ELSK12	UCB4
				CLS308260	2					
EL119R	UCB19	6	2	CLS308260	6	ELSK05	ELSK10	EL44XL	ELSK12	UCB4
EL120R	UCB5	2	2	CLS308265	2	ELSK05	ELSK10	EL34XL	ELSK12	UCB5
				CLS308255	4					
EL121R	UCB5	4	2	CLS308265	2	ELSK05	ELSK10	EL34XL	ELSK12	UCB6
				CLS308255	4					
EL122RA	UCB19	6	0	CLS308245	4	ELSK05	ELSK10	D43XL	ELSK12	UCB19
				CLS308295	2					
EL122RB	UCB19	6	0	CLS308245	4	ELSK05	ELSK10	D43XL	ELSK12	UCB19
				CLS308295	2					
EL123R	UCB19	4	2	CLS308255	4	ELSK05	ELSK10	EL39XL	ELSK12	UCB19
				CLS308265	2					
EL124R	UCB19	6	2	CLS308265	2	ELSK05	ELSK10	EL39XL	ELSK12	UCB19
				CLS308270	6					
EL125R	UCB19	8	2	CLS308265	2	ELSK05	ELSK10	EL39XL	ELSK12	UCB4
				CLS308285	4					
EL126R	UCB19	2	2	CLS308240	2	ELSK05	ELSK10	EL34XL	ELSK12	UCB19
				CLS308265	2					
EL127R	UCB19	4	2	CLS308255	4	ELSK05	ELSK10	EL34XL	ELSK12	UCB19
				CLS308265	2					
EL128R	UCB19	5	3	CLS308270	4	ELSK05	ELSK10	EL34XL	ELSK12	UCB4
				CLS308285	2					
EL130R	UCB19	4	2	CLS308265	2	ELSK14	ELSK10	EL48XL	ELSK15	UCB19
				CLS308245	4					
EL131R	UCB19	4	4	CLS308265	2	ELSK14	ELSK10	EL48XL	ELSK15	UCB19
				CLS308255	4					
EL132R	UCB19	6	4	CLS308270	4	ELSK14	ELSK10	EL48XL	ELSK15	UCB4
				CLS308265	2					
PB004R	UCB5	0	2	ELSK16		N/A	ELSK10	N/A	N/A	N/A
PB005R	UCB5	0	2	ELSK16		N/A	ELSK10	N/A	N/A	N/A
PB006R	UCB5	0	4	ELSK16		N/A	ELSK10	N/A	N/A	N/A
PB007R	UCB5	0	2	ELSK16		N/A	ELSK10	N/A	N/A	N/A
PB008R	UCB5	0	2	ELSK16		N/A	ELSK10	N/A	N/A	N/A
PB009R	UCB5	0	4	ELSK16		N/A	ELSK10	N/A	N/A	N/A
PB010R	UCB5	0	4	ELSK16		N/A	ELSK10	N/A	N/A	N/A
PB011R	UCB5	0	4	ELSK16		N/A	ELSK10	N/A	N/A	N/A
PB012R	UCB5	0	4	ELSK16		N/A	ELSK11	N/A	N/A	N/A
PB013R	UCB5	0	6	ELSK16		N/A	ELSK12	N/A	N/A	N/A

SPECIFICATIONS - LEAF SPRINGS

LEAF SPRING SERVICE PARTS

SPRING EYE SLEEVES			
PART NUMBER	ID (MM)	OD (MM)	LENGTH (MM)
CBH154028	15	40	28
CBH27532569	27.5	32.5	69
CBH303549	30	35	49
CBH303559	30	35	59
CBH31536559	31.5	36.5	59
CBH31536569	31.5	36.5	69
CBH32737759	32.7	37.7	59
CBH354069	35	40	69
CBH37542559	37.5	42.5	59
CBH39544559	39.5	44.5	59
CBH404549	40	45	49
CBH404559	40	45	59
CBH404569	40	45	69

SPRING CLIPS			
PART NUMBER	LEAF WIDTH (MM)	CLIP WIDTH (MM)	CLIP LENGTH (MM)
2512074	70	25	120
2516474	70	25	164

RIVETS		
PART NUMBER	SIZE	LENGTH (MM)
3822	3/8	22
3824	3/8	24

EL SERVICE KITS	
PART NUMBER	DESCRIPTION
TB1001	TRU BLU NLGI2.9 Grease 450gm
TB1002	TRU BLU NLGI2.9 Grease 2.5kg
TB1003	TRU BLU NLGI2.9 Grease 20kg
OMECW2	2° Caster Wedge
ELSK01	Leaf Spring Clip Liner Kit
ELSK05	Leaf Trim Packer 10mm 60 Wide
ELSK06	Leaf Trim Packer 10mm 70 Wide
ELSK04	Leaf Spacers 1.6mm 70 Wide (5 pack)
ELSK10	Leaf Spacers 3mm 60 Wide (5 pack)
ELSK12	Extra Leaf Spacer Kit 60 Wide
ELSK13	Extra Leaf Spacer Kit 70 Wide
ELSK14	Leaf Spring Trim Packer
ELSK15	Extra Leaf Spacer Kit
ELSK16	Parabolic Spring Branded Clip (1 Clip, 2 Bolts)

LEAF SPRING TRIM PACKERS (Mild Steel 5mm Thick)				
PART NO.	WIDTH	LENGTH	HOLE DIA.	APPLICATIONS
TP01	70mm	140mm	10.3mm	TOYOTA 60, 75, NISSAN GQ / FORD MAVERICK CAB CHASSIS & NISSAN GQ UTE
TP02	70mm	140mm	8.7mm	TOYOTA 40, 42, 45, 47
TP03	60mm	140mm	10.3mm	NISSAN MQ, MITSUBISHI PAJERO, TRITON, L200
TP04	60mm	140mm	8.7mm	TOYOTA HILUX, 4RUNNER
TP05	50mm	120mm	8.7mm	SUZUKI SIERRA, SAMURAI (SJ413), SANTANA SAMURAI, HOLDEN DROVER

To be used to correct left to right trim problems. Maximum 2 plates (10mm). Order centre bolt separately. Refer Manual for Instructions.

BONDED RUBBER BUSHES			
PART NUMBER	ID (MM)	OD (MM)	LENGTH (MM)
CBH14405970	14	40	59/70
CBH14406073	14	40	60/73
CBH145357889	14.5	35	78/89
CBH148517689	14.8	51	76/89
CBH16455689	16	45	56/89
CBH185396489	18.5	39	64/89
CBH18544489	18	54	44/89

LEAF LINER KITS	
PART NUMBER	DESCRIPTION
IL01YE (Round)	Inter Leaf Liners x 6 Pieces
SLK60 (60mm Wide)	Noise - Service Liners x 4 Pieces
SLK70 (70mm Wide)	Noise - Service Liners x 4 Pieces
³ SLO0530413	Inter Leaf Liners Large 4mm Thick
SRBC60A	Inter Leaf Linder HDPE Long
SRBC60B	Inter Leaf Linder HDPE Short

1. When remaining stock is exhausted no further product will be available.

LEAF SPRING CENTRE BOLT SLEEVES				
PART NO.	LENGTH	OD	ID	APPLICATIONS
CBS01	15mm	25mm	15mm	LC 60 series rear
CBS02	10mm	19mm	16.8mm	GQ Patrol CC front

SPECIFICATIONS - LEAF SPRINGS

REPLACEMENT MAIN & SECOND LEAF

PART NUMBER	OME SPRING PART NUMBER	MAIN LEAF PART NUMBER	SECOND LEAF PART NUMBER
FRONT SPRINGS			
CS001F, CS002F	¹ 40 SERIES - OME13, OME131	SL1F/1	SL1F/2
CS003F, CS004F, CS005F	¹ 60 SERIES - OME110, OME11, OME111	SL3F/1	SL3F/2
CS006F, CS007F	¹ 75 SERIES - OME67, OME671	SL6F/1	SL6F/2
CS008FA	¹ HILUX - OME99A	SL8FA/1	SL8FA/2
CS008FB	¹ HILUX - OME99B	SL8FB/1	SL8FB/2
CS009FA	¹ HILUX - OME91A	SL9FA/1	SL9FA/2
CS009FB	¹ HILUX - OME91B	SL9FB/1	SL9FB/2
CS010FA, CS011FA	¹ PATROL M60 - OME3A, OME31A	SL10FA/1	SL10FA/2
CS010FB, CS011FB	¹ PATROL M60 - OME3B, OME31B	SL10FB/1	SL10FB/2
CS012FA, CS013FA	¹ SUZUKI SIERRA - OME51A	SL12FA/1	SL12FA/2
CS012FB, CS013FB	¹ SUZUKI SIERRA - OME51B	SL12FB/1	SL12FB/2
CS014F	¹ JEEP YJ - OMEJ1F	SL14F/1	SL14F/2
REAR SPRINGS			
CS001R, CS002R	¹ 40 SERIES - OME14, OME141	SL1R/1	SL1R/2
CS003R	¹ 45 SERIES - OME201	SL3R/1	SL3R/2
CS004RA, CS005RA	¹ 60 SERIES - OME113A, OME1131A	SL4RA/1	SL4RA/2
CS004RB, CS005RB	¹ 60 SERIES - OME113B, OME1131B	SL4RB/1	SL4RB/2
CS006R, CS007R, CS008R	¹ 75 SERIES - OME39, OME391, OME3911, OME39111	SL6R/1	SL6R/2
CS009R, CS010R	¹ HILUX - OME17, OME171, OME1711	SL9R/1	SL9R/2
CS011R, CS012R	¹ PATROL M60 - OME4, OME41	SL11R/1	SL11R/2
¹ CS013R, ¹ CS014R, ¹ CS015R	¹ 78/79 SERIES - OME49, OME491, OME492, OME493	SL13R/1	SL13R/2
CS016RA	¹ PATROL Y60, Y61 CAB CHASSIS - OME61A, OME611A	SL16RA/1	SL16RA/2
CS016RB	¹ PATROL Y60, Y61 CAB CHASSIS - OME61B, OME611B	SL16RB/1	SL16RB/2
CS017RA	¹ HJ60 - OME221A	SL17RA/1	SL17RA/2
CS017RB	¹ HJ60 - OME221B	SL17RB/1	SL17RB/2
CS018R, CS019R, CS020R, CS021R	¹ HILUX - OME180, OME18, OME181, OME1811	SL18R/1	SL18R/2
CS022R, CS023R	¹ TRITON / PAJERO - OME22, OME222	SL22R/1	SL22R/2
CS062R, CS063R	¹ ISUZU / RODEO 2003 - OMEROD4, OMEROD5	SL24R/1	SL24R/2
CS026R, CS027R	¹ MAZDA / FORD UTE - OME26, OME261	SL26R/1	SL26R/2
CS028R, CS029R	¹ ISUZU / RODEO - OMEROD1, OMEROD11, OMEROD111	SL28R/1	SL28R/2
CS030R, CS031R, CS032R	¹ NAVARA D21, D22 - OMENN1, OMENN11, OMENN2	SL30R/1	SL30R/2
CS033RA	JEEP XJ - 75mm	SL33RA/1	D22XL
CS033RB	JEEP XJ - 75mm	SL33RB/1	D22XL
CS034RA, CS035RA	¹ JEEP XJ - OMEJC1A, OMEJC2A	SL34RA/1	SL34RA/2
CS034RB, CS035RB	¹ JEEP XJ - OMEJC1B, OMEJC2B	SL34RB/1	SL34RB/2
CS036R, CS037R	¹ JEEP YJ - OMEJ1R, OMEJ2R	SL36R/1	SL36R/2
CS038R, CS039R	¹ SUZUKI SIERRA - OME52, OME521	SL38R/1	SL38R/2
¹ CS043R, ¹ CS044R, ¹ CS045R, ¹ CS071R	HILUX 2005 TO 2015	SL43R/1	SL43R/2
¹ CS049R, CS056R, CS060R	RANGER / BT-50 12/2006 TO 2011	SL49R/1	SL49R/2
CS053R, CS054R	TRITON ML & MN 2006 TO 2015	SL22R/1	SL53R/2
CS062R	COLORADO, DMAX 2008 TO 2011, RODEO 2003 TO 2008	SL62R/1	SL62R/2
CS063R	COLORADO, DMAX 2008 TO 2011, RODEO 2003 TO 2008	SL62R/1	SL63R/2
CS064R, CS065R	AMAROK 2010 ON	SL64R/1	SL64R/2
¹ CS066R	78/79 SERIES	SL13R/1	SL66R/2
¹ CS068R, ¹ CS069R	RANGER 2011 TO MID 2022 / BT-50 2011 TO 2020	SL49R/1	SL49R/2
CS150R, CS151R	NAVARA D40 / EQUATOR (US Market Only)	SL150R/1	D31XL

1. When remaining stock is exhausted no further product will be available.

SPECIFICATIONS - LEAF SPRINGS

U BOLTS

OE spring stack height must be compared to OME spring before final

U Bolt selection as OE spring stack heights may vary from model to model.

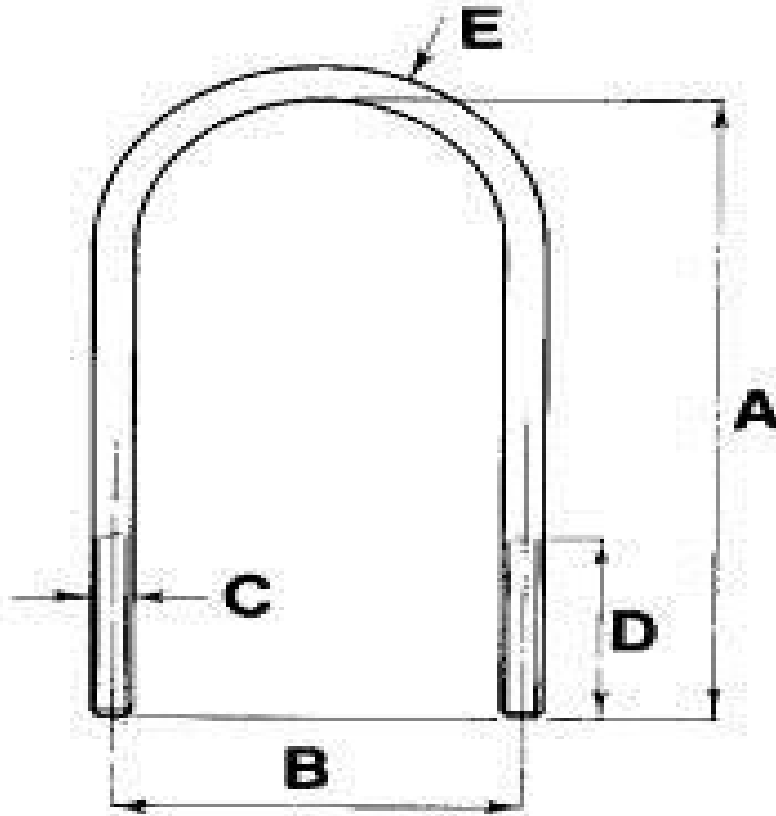
PART NO.	A LEG LENGTH mm	B LEG CENTRE mm	C THREAD DIA mm	D THREAD LENGTH mm	THREAD PITCH	E TOP TYPE	REC. TORQUE Lbs.ft.	REC. TORQUE Nm
OMEU51	210	85	14	70	1.5	SQUARE	93	126
OMEU52	200	76	14	75	1.5	FLAT	93	126
OMEU53	168	75	14	70	1.5	SQUARE	93	126
OMEU53A	185	75	14	65	1.5	SQUARE	93	126
OMEU53B	200	75	14	70	1.5	SQUARE	93	126
OMEU54	175	85	12	70	1.25	ROUND	58	79
OMEU55	218	97	14	70	1.5	SQUARE	93	126
OMEU56	100	75	12	50	1.25	SQUARE	58	79
OMEU57	190	88	12	70	1.25	ROUND	58	79
OMEU58	210	110	14	75	1.5	ROUND	93	126
OMEU58B	242	110	14	75	1.5	ROUND	93	126
OMEU59A	197	97	14	75	1.5	ROUND	93	126
OMEU59B	225	97	14	75	1.5	ROUND	93	126
OMEU59C	240	97	14	75	1.5	ROUND	93	126
OMEU59D	197	97	14	90	1.5	ROUND	93	126
OMEU60	150	81	11	70	1.27	ROUND	45	61
OMEU61	147	87	10	60	1.25	ROUND	34	45
OMEU61B	160	87	10	70	1.25	ROUND	34	45
OMEU62	145	73	10	70	1.25	ROUND	34	45
OMEU63	190	74	12	50	1.25	SQUARE	58	79
OMEU64	260	125	14	90	1.5	ROUND	93	126
OMEU65	215	97	14	75	1.5	ROUND	93	126
OMEU66	190	103	14	60	1.5	ROUND	93	126
OMEU66A	210	103	14	60	1.5	ROUND	93	126
OMEU66B	230	102	14	60	1.5	ROUND	93	126
OMEU67	350	107	16	75	2.0	ROUND	145	197
OMEU68	275	107	16	75	2.0	ROUND	145	197
OMEU69	235	95	14	65	2.0	ROUND	93	126
OMEU69A	260	95	14	65	2.0	ROUND	93	126
OMEU70	205	95	14	55	2.0	SQUARE	93	126
OMEU70A	230	95	14	55	2.0	SQUARE	93	126
OMEU71	150	82	12	60	1.5	SQUARE	58	79
OMEU72	200	97	14	90	1.5	ROUND	93	126
OMEU73	125	91	10	40	1.25	ROUND	34	79
OMEU76	170	84	12	50	1.5	SQUARE	58	197
OMEU77	325	97	16	110	2.0	SEMI ROUND	145	197
OMEU78	410	97	16	110	2.0	SEMI ROUND	145	197
OMEU79	295	107	16	110	2.0	ROUND	145	197
OMEU80	380	107	16	110	2.0	ROUND	145	126
OMEU81	180	80	14	50	1.5	SQUARE	93	126
OMEU82	200	80	14	50	1.5	SQUARE	93	126
OMEU83	220	80	14	50	1.5	SQUARE	93	126
OMEU84	210	80.5	14	70	1.5	ROUND	93	126
OMEU85	250	80.5	14	70	1.5	ROUND	93	126
OMEU86	240	75	14	70	1.5	SQUARE	93	126
OMEU87	255	75	14	70	1.5	SQUARE	93	126
OMEU88	160	75	14	70	1.5	SQUARE	93	126
OMEU89	210	75	14	70	1.5	SQUARE	93	126
OMEU90	180	97	14	75	1.5	ROUND	93	126
OMEU91	185	80	14	50	1.5	SQUARE	93	126
OMEU92	195	80	14	50	1.5	SQUARE	93	126
OMEU93	205	80	14	50	1.5	SQUARE	93	126
OMEU94	170	103	14	60	1.5	ROUND	93	126
OMEU95	205	103	14	60	1.5	ROUND	93	126

SPECIFICATIONS - LEAF SPRINGS

U BOLTS

OE spring stack height must be compared to OME spring before final

U Bolt selection as OE spring stack heights may vary from model to model.

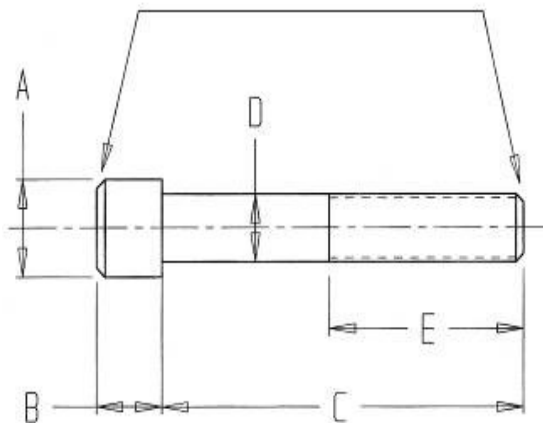


SPECIFICATIONS - LEAF SPRINGS

REPLACEMENT CENTRE BOLTS

Centre Bolt Part No.	Dimension Details						Spring Part No.
	Head Diameter A	Head Depth B	Shank Length C	Shank Diameter D	Thread Length E	Thread	
UCB1	17	10	90	9.5	50	3/8 UNF	CS011R, 12R
UCB2	15	15	90	9.5	50	3/8 UNF	CS004RA/B, 17RA/B
UCB3	14	11	70	9.5	50	3/8 UNF	CS003F, 4F, 5F
UCB4	14	8	110	9.5	50	3/8 UNF	CS003R, 6R, 7R, 8R
UCB5	14	8	70	9.5	50	3/8 UNF	CS006F, 07F, 10FA/B, 11FA/B, 22R, 23R, 40R, 41R, 42R, 53R, 54R, 100R
UCB6	14	8	80	7.9	50	5/16 UNF	CS009R, 10R, 18R, 19R, 20R, 21R
UCB7	14	5	55	7.9	35	5/16 UNF	CS008FA/B, 9FA/B, 12FA/B, 13FA/B, 38R, 39R
UCB8	12	9	75	7.9	50	5/16 UNF	CS001F, 2F, 1R, 2R, 33RA/B, 34RA/B, 35RA/B
UCB09	13	10	55	7.9	40	5/16 UNF	CS014F, 36R, 37R
UCB10	14	8	120	9.5	40	3/8 UNF	CS008R, 48R, ¹ EL081R, ¹ 82R, ¹ 84R, ¹ 85R, 93R, 94R, 115R, 116R
UCB11	17	10	115	9.5	40	3/8 UNF	CS016RA/B
UCB12	11	8	70	7.9	40	5/16 UNF	CS028R
UCB13	14	6	70	9.5	40	3/8 UNF	CS030R, 31R, 32R
UCB14	14	6	80	9.5	40	3/8 UNF	CS030R, 31R, 32R, ¹ 43R, 43R-15, ¹ 44R, ¹ 45R, 46RA/B, ¹ 71R
UCB15	11.5	9	72	7.9	30	5/16 UNF	¹ CS024R, ¹ 25R, 62R, 63R
UCB16	11	8	80	7.9	40	5/16 UNF	CS028R, 29R
UCB17	14	8	90	9.5	50	3/8 UNF	¹ CS013R, ¹ 14R, ¹ 15R, 26R, 27R, ¹ 47R, 57R, 58R, 64R, 65R, ¹ EL095R, ¹ 96R, 101R
UCB18	16	8	50	10	30	M10	¹ CS015F, 18F
UCB19	14	8	95	10	45	M10	CS018R, ¹ 49R, ¹ 50R, ¹ 51R, 56R, 60R, 150R, 151R, ¹ EL013R, ¹ 14R, ¹ 15R, 43R, 44R, 45R, ¹ 49R, ¹ 66R, ¹ 68R, ¹ 69R, 71R, ¹ 72R, ¹ 73R, ¹ 74R, ¹ 79R, ¹ 80R, ¹ 83R, ¹ 86R, ¹ 87R, ¹ 88R, ¹ 89R, ¹ 90R, ¹ 91R, 92R, ¹ 102R, ¹ 103R, ¹ 104R, 105R, 106R, 107R, 108R, 109R, 110R, 113R, 114R, 117R, 118R, 119R, 123R, 124R, 125R, 126R, 127R, 128R
UCB20	16	8	62	10	45	M10	CS018F
UCB21	14	8	180	10	50	M10	EL077R With Overload Leaf

1. When remaining stock is exhausted no further product will be available.



SPECIFICATIONS - LEAF SPRINGS

LEAF SPRINGS

Part No.	OME Part No.	Stack Height (mm)	No. of Leaves	Eye Dia. mm		Weight (kg)	Primary Free Camber mm	Spring Rate	
				Front	Rear			lbf / in	N / mm
CS001F	¹ OME13	48.0	8	35.0	35.0	23.0	165	350	61.3
CS001R	¹ OME14	43.0	5 + 1	35.0	35.0	21.5	225	300 / 450	52.5 / 79
CS002F	¹ OME131	54.0	9	35.0	35.0	27.0	165	398	69.8
CS002R	¹ OME141	49.0	6 + 1	35.0	35.0	25.6	225	357 / 496	62.5 / 87
CS003F	¹ OME110	30.0	5	35.0	35.0	15.5	200	220	38.5
CS003R	¹ OME201	81.0	6 + 3	35.0	35.0	45.4	235	510 / 710	90 / 125
CS004F	¹ OME11	36.0	6	35.0	35.0	17.7	196	257	45
CS004RA	¹ OME113A	58.0	6 + 2	35.0	35.0	31.6	250	268 / 570	47.0 / 100
CS004RB	¹ OME113B	58.0	6 + 2	35.0	35.0	31.6	230	268 / 570	47.0 / 100
CS005F	¹ OME111	42.0	7	35.0	35.0	21.5	196	305	53.5
CS005RA	¹ OME1131A	64.0	7 + 2	35.0	35.0	36.0	250	314 / 617	55 / 108
CS005RB	¹ OME1131B	64.0	7 + 2	35.0	35.0	36.0	230	314 / 617	55 / 108
CS006F	¹ OME67	43.0	7	35.0	35.0	21.6	220	302	53
CS006R	¹ OME391	82.0	7 + 3	40.0	40.0	46.8	240	388 / 610	68 / 107
CS007F	¹ OME671	49.0	8	35.0	35.0	25.5	220	348	61
CS007R	¹ OME3911	89.0	8 + 3	40.0	40.0	52.2	240	455 / 600	80 / 105
CS008FA	¹ OME99A	32.5	5	30.0	30.0	14.8	170	208	36.5
CS008FB	¹ OME99B	32.5	5	30.0	30.0	14.8	150	208	36.5
CS008R	¹ OME39111	96.0	9 + 3	40.0	40.0	59.5	240	500 / 656	88 / 115
CS009FA	¹ OME91A	39.0	6	30.0	30.0	18.4	170	254	44.5
CS009FB	¹ OME91B	39.0	6	30.0	30.0	18.4	150	254	44.5
CS009R	¹ OME17	48.0	4 + 2	30.0	30.0	20.0	230	217 / 388	38.0 / 68.0
CS010FA	¹ OME3A	43.0	7	32.5	32.5	18.9	215	283	49.6
CS010FB	¹ OME3B	43.0	7	32.5	32.5	18.9	200	283	49.6
CS010R	¹ OME171	54.5	5 + 2	30.0	30.0	24.2	230	285 / 445	50.0 / 78.0
CS011FA	¹ OME31A	49.0	8	32.5	32.5	22.3	215	343	60
CS011FB	¹ OME31B	49.0	8	32.5	32.5	22.3	200	343	60
CS011R	¹ OME4	56.0	8	32.5	32.5	26.8	275	211	37
CS012FA	¹ OMES1A	24.4	4	30.0	40.0	8.1	125	207	36.3
CS012FB	¹ OMES1B	24.4	4	30.0	40.0	8.1	110	207	36.3
CS012R	¹ OME41	63.0	9	32.5	32.5	30.2	275	240	42
CS013FA	N/A	30.0	5	30.0	40.0	10.4	125	247	27.9
CS013FB	N/A	30.0	5	30.0	40.0	10.4	110	247	27.9
¹ CS013R	¹ OME491	68.0	5 + 2	40.0	40.0	47.9	268	279 / 548	52 / 96
CS014F	¹ OMEJ1F	26.0	4	31.4	37.6	11.0	210	148	26
¹ +CS014R	¹ +OME492	68.0	5 + 2	40.0	40.0	47.9	268	279 / 548	52 / 96
¹ CS015F	N/A	52.0	6	52.0	42.0	33.0	190	369	65
¹ +CS015R	¹ +OME493	76.0	6 + 2	40.0	40.0	51.5	268	325 / 680	57 / 119
CS016F	N/A	56.0	8	32.7	40.0	27.0	229	337	59
CS016RA	¹ OME611A	82.0	7 + 3	40.0	40.0	50.8	250	325 / 585	57 / 103
CS016RB	¹ OME611B	82.0	7 + 3	40.0	40.0	50.8	235	325 / 585	57 / 103
CS017RA	¹ OME221A	48.0	8	35.0	35.0	25.5	250	255	44.7
CS017RB	¹ OME221B	48.0	8	35.0	35.0	25.5	230	255	44.7
CS018F	N/A	58.0	7	51.5	41.5	37.7	202	431	75.5
*CS018R	¹ *OME180	52.5	3 + 3	39.0	30.0	25.0	215	125 / 485	22 / 85
CS019R	¹ OME18	52.5	3 + 3	39.0	30.0	27.3	235	125 / 485	22 / 85
CS020R	¹ OME181	59.0	4 + 3	39.5	30.0	30.6	235	160 / 540	28 / 95

Free Camber is measured from top of eye (not centre line) to main leaf at centre bolt. Allow 3mm tolerance either side.

Where two spring rates are listed for one part number the spring is progressive.

* These springs have a 20mm lower 2nd Stage than other springs in the series.

+ These springs have a 20mm higher 2nd stage than other springs in this series.

1. When remaining stock is exhausted no further product will be available.

cont.

SPECIFICATIONS - LEAF SPRINGS

LEAF SPRINGS

Part No.	OME Part No.	Stack Height (mm)	No. of Leaves	Eye Dia. mm		Weight (kg)	Primary Free Camber mm	Spring Rate	
				Front	Rear			lbf / in	N / mm
CS021R	¹ OME1811	65.5	5 + 3	39.0	30.0	31.0	235	274 / 571	48 / 100
CS022R	¹ OME22	41.0	5 + 1	31.5	27.5	22.0	195	194 / 388	34.0 / 68.0
+CS023R	¹ +OME222	58.0	6 + 2	31.5	27.5	29.5	195	230 / 570	41 / 100
¹ CS024R	¹ OMEROD4	54.0	4 + 2	39.0	30.0	22.0	181	205 / 450	36 / 79
CS026R	¹ OME26	59.0	4 + 3	32.7	32.7	26.3	164	177 / 616	31 / 108
CS027R	¹ OME261	65.5	5 + 3	32.7	32.7	30.1	164	217 / 662	38 / 116
CS028R	¹ OMEROD11	48.0	4 + 2	39.0	30.0	22.5	250	170 / 457	30 / 80
+CS029R	¹ +OMEROD111	60.5	4 + 3	39.0	30.0	25.4	250	216 / 616	38 / 108
CS030R	¹ OMENN1	52.5	3 + 3	40.0	32.5	22.1	170	126 / 531	22 / 93
CS031R	¹ OMENN11	59.0	4 + 3	40.0	32.5	25.5	170	165 / 571	29 / 100
*CS032R	¹ *OMENN2	52.5	3 + 3	40.0	32.5	22.1	170	126 / 411	22 / 72
CS033RA	N/A	43.5	5 + 1	62.0	43.5	22.4	263	168 / 256	29.4 / 44.9
CS033RB	N/A	43.5	5 + 1	62.0	43.5	224.0	243	168 / 256	29.4 / 44.9
CS034RA	¹ OMEJC1A	32.5	5	62.0	43.5	18.2	230	148	26
CS034RB	¹ OMEJC1B	32.5	5	62.0	43.5	18.2	205	148	26
CS035RA	¹ OMEJC2A	37.0	4 + 1	62.0	43.5	20.9	235	137 / 257	24 / 45
CS035RB	¹ OMEJC2B	37.0	4 + 1	62.0	43.5	20.9	210	137 / 257	24 / 45
CS036R	¹ OMEJ1R	32.5	5	37.5	31.5	13.7	205	188	33
CS037R	¹ OMEJ2R	32.5	5	37.5	31.5	13.8	185	188	33
CS038R	¹ OMES2	36.0	3 + 2	40.0	30.0	9.8	175	171 / 291	30 / 51
CS039R	¹ OMES21	42.0	4 + 2	40.0	30.0	12.3	175	228 / 348	40 / 61
CS040R	¹ OME19	29.0	3 + 1	31.5	27.5	16.4	211	148 / 245	26 / 43
CS041R	¹ OME191	35.0	4 + 1	31.5	27.5	16.4	211	200 / 296	35 / 52
CS042R	¹ OME36	45.0	4 + 1	46.8	31.0	28.0	210	228 / 310	40 / 55
¹ CS043R	N/A	50.0	4 + 2	40.0	30.0	24.0	194	170 / 340	30 / 60
CS043R-15	N/A	50.0	4 + 2	40.0	30.0	24.0	179	170 / 340	30 / 60
¹ CS044R	N/A	50.0	4 + 2	40.0	30.0	24.0	204	170 / 340	30 / 60
¹ +CS045R	N/A	57.0	5 + 2	40.0	30.0	27.5	204	204 / 361	35.8 / 63.8
CS046RA	¹ OME15A	52.0	5 + 2	40.5	30.0	26.7	222	114 / 194	20 / 34
CS046RB	¹ OME15B	52.0	5 + 2	40.5	30.0	26.7	209	114 / 194	20 / 34
¹ CS047R	N/A	57.0	5 + 2	40.0	40.0	32.4	207	182 / 392	32 / 69
CS048R	N/A	50.0	3 + 2	40.0	40.0	32.5	275	225 / 416	39 / 73
¹ CS049R	N/A	45.0	4 + 1	40.0	32.7	25.0	173	212 / 450	37 / 79
¹ CS051R	N/A	67.0	5 + 2	40.0	33.4	36.25	177	244 / 535	43 / 94
CS053R	N/A	35.0	4 + 1	31.5	27.5	20.3	193	166 / 321	29 / 56
CS054R	N/A	41.0	5 + 1	30.0	27.5	24.3	193	209 / 365	37 / 64
CS055R	N/A	65.0	4 + 2	40.0	40.0	36.5	190	205 / 330	36 / 58
CS056R	N/A	37.0	3 + 1	40.0	32.7	20.0	173	147 / 371	26 / 65
CS057R	N/A	59.0	4 + 2	40.0	40.0	36.6	225	234 / 627	41 / 110
CS058R	N/A	66.0	5 + 2	40.0	40.0	42.8	260	300 / 694	53 / 122
CS059R	N/A	55.0	4 + 1	51.0	43.0	22.9	265	242 / 338	43 / 59
CS060R	N/A	70.0	5 + 2	40.0	32.7	33.12	138	277 / 608	49 / 107
CS061R	N/A	58.0	4 + 2	40.0	32.7	24.90	208	186 / 352	32.7 / 61.7
CS062R	N/A	60.0	5 + 2	39.0	30.0	26.0	223	215 / 459	38 / 80
CS063R	N/A	64.0	5 + 2	39.0	30.0	28.0	226	294 / 610	52 / 107
CS064R	N/A	58.0	4 + 2	60.0	46.0	39.2	266	169 / 445	30 / 78
CS065R	N/A	69.0	5 + 2	60.0	46.0	48.2	266	267 / 582	47 / 102
¹ CS066R	N/A	92.0	8 + 2	40.0	40.0	59.6	266	412 / 679	72 / 119

Free Camber is measured from top of eye (not centre line) to main leaf at centre bolt. Allow 3mm tolerance either side.

Where two spring rates are listed for one part number the spring is progressive.

* These springs have a 20mm lower 2nd Stage than other springs in the series.

+ These springs have a 20mm higher 2nd stage than other springs in this series.

1. When remaining stock is exhausted no further product will be available.

cont.

SPECIFICATIONS - LEAF SPRINGS

LEAF SPRINGS

Part No.	OME Part No.	Stack Height (mm)	No. of Leaves	Eye Dia. mm		Weight (kg)	Primary Free Camber mm	Spring Rate	
				Front	Rear			lbf / in	N / mm
¹ CS068R	N/A	66.0	5 + 2	40.0	32.7	33.1	163	277 / 608	49 / 107
¹ CS069R	N/A	80.0	6 + 2	40.0	32.7	37.0	148	338 / 707	59 / 124
CS070R	N/A	83.0	7 + 2	40.0	40.0	50.0	253	408 / 684	71 / 120
¹ CS071R	N/A	64.0	6 + 2	40.0	30.0	31.1	199	258 / 434	42 / 76
CS150R	N/A	59.0	4 + 2	40.0	33.4	30.9	177	192 / 481	34 / 84
CS151R	N/A	67.0	5 + 2	40.0	33.4	36.25	177	244 / 535	43 / 94
¹ EL013R	¹ CS013R	68.0	5 + 2	40.0	40.0	47.2	253	245 / 510	43 / 90
¹ EL014R	¹ CS014R	68.0	5 + 2	40.0	40.0	47.2	280	245 / 510	43 / 90
¹ EL015R	¹ CS015R	76.0	6 + 2	40.0	40.0	53.9	272	294 / 542	52 / 95
EL043R	¹ *CS043R	50.0	4 + 2	40.0	30.0	22.6	175	170 / 340	30 / 60
EL044R	¹ CS044R	50.0	4 + 2	40.0	30.0	22.6	186	170 / 340	30 / 60
EL045R	¹ CS045R	57.0	5 + 2	40.0	30.0	26.9	206	204 / 361	36 / 63
¹ EL049R	¹ CS049R	44.0	4 + 1	40.0	32.7	24.1	161	218 / 403	38 / 71
¹ EL066R	¹ CS066R	92.0	8 + 2	40.0	40.0	58.2	263	412 / 680	72 / 119
¹ EL068R	¹ CS068R	66.0	5 + 2	40.0	32.7	32.2	155	227 / 608	49 / 107
¹ EL069R	¹ CS069R	74.0	6 + 2	40.0	32.7	36.0	147	338 / 707	59 / 124
EL071R	¹ CS071R	64.0	6 + 2	40.0	30.0	30.5	200	258 / 434	45 / 76
¹ EL072R	N/A	53.0	3 + 2	40.0	30.0	27.8	199	193 / 432	34 / 76
¹ EL073R	N/A	61.0	4 + 2	40.0	30.0	32.7	203	250 / 515	44 / 90
¹ EL074R	N/A	69.0	5 + 2	40.0	30.0	37.5	202	307 / 544	54 / 101
EL077R	N/A	82.3	7 + 1	42.0	42.0	59.6	271	301 / 643	53 / 113
¹ EL079R	N/A	68.0	5 + 2	40.0	40.0	47.2	243	245 / 510	43 / 89
¹ EL080R	N/A	68.0	5 + 2	40.0	40.0	47.2	255	245 / 510	43 / 89
¹ EL081R	N/A	76.0	6 + 2	40.0	40.0	54.0	255	325 / 689	57 / 121
¹ EL082R	N/A	92.0	8 + 2	40.0	40.0	58.2	247	412 / 678	72 / 119
¹ EL083R	N/A	63.0	5 + 2	40.0	32.7	28.1	207	209 / 626	36 / 109
¹ EL084R	N/A	77.0	7 + 2	40.0	32.7	34.5	212	292 / 686	51 / 120
¹ EL085R	N/A	84.0	7 + 2	40.0	32.7	39.2	196	416 / 829	73 / 145
¹ EL086R	N/A	56.0	5 + 2	40.0	27.0	28.2	172	198 / 368	35 / 65
¹ EL087R	N/A	63.0	6 + 2	40.0	27.0	32.5	184	241 / 398	42 / 70
¹ EL088R	N/A	66.0	5 + 2	40.0	27.0	33.3	154	373 / 558	65 / 98
¹ EL089R	N/A	52.0	4 + 2	40.0	30.0	26.0	195	169 / 300	30 / 53
¹ EL090R	N/A	62.0	5 + 2	40.0	30.0	31.9	188	220 / 389	39 / 68
¹ EL091R	N/A	68.0	5 + 2	40.0	30.0	35.5	174	217 / 489	56 / 86
EL092R	N/A	51.0	5+1	40.0	32.7	25.0	207	209 / 505	36.6 / 88.5
EL093R	N/A	65.0	7+1	40.0	32.7	31.1	212	292 / 565	51.2 / 99.0
EL094R	N/A	70.0	7+1	40.0	32.7	35.8	196	416 / 590	72.8 / 103.4
¹ EL095R	N/A	57.0	4+2	40.0	40.0	27.4	210	149 / 482	26.1 / 84.5
¹ EL096R	N/A	64.0	5+2	40.0	40.0	31.9	210	182 / 506	31.9 / 88.6
EL100R	N/A	38.0	3+1	50.0	40.0	20.1	170	167 / 589	29.2 / 68.1
EL101R	N/A	46.0	4+1	50.0	40.0	26.5	182	230 / 430	40.2 / 75.3
¹ EL102R	N/A	56.0	4+1	50.0	32.7	23.7	166	213 / 558	37.4 / 97.8
¹ EL103R	N/A	67.0	5+1	50.0	32.7	28.8	167	277 / 601	48.6 / 105.4
¹ EL104R	N/A	79.0	6+1	50.0	32.7	32.8	165	338 / 722	59.3 / 126.5
EL105R	N/A	53.0	4+1	40.0	30.0	23.6	217	169 / 305	29.6 / 53.5
EL106R	N/A	65.0	5+1	40.0	30.0	29.2	221	220 / 384	38.5 / 67.2
EL107R	N/A	71.0	5+1	40.0	30.0	32.8	202	317 / 501	55.5 / 87.8
EL108R	N/A	48.0	3+1	40.0	30.0	22.7	204	193 / 499	33.8 / 87.5
EL109R	N/A	59.0	4+1	40.0	30.0	27.0	205	250 / 538	43.8 / 94.3

Free Camber is measured from top of eye (not centre line) to main leaf at centre bolt. Allow 3mm tolerance either side.

Where two spring rates are listed for one part number the spring is progressive.

* These springs have a 20mm lower 2nd Stage than other springs in the series.

1. When remaining stock is exhausted no further product will be available.

cont.

SPECIFICATIONS - LEAF SPRINGS

LEAF SPRINGS

Part No.	OME Part No.	Stack Height (mm)	No. of Leaves	Eye Dia. mm		Weight (kg)	Primary Free Camber mm	Spring Rate	
				Front	Rear			lbf / in	N / mm
EL110R	N/A	70.0	5+1	40.0	30.0	31.9	201	307 / 576	53.9 / 100.9
EL111R	N/A	66.0	4+2	40.0	40.0	27.4	175	157 / 482	27.6 / 84.5
EL112R	N/A	76.0	5+2	40.0	40.0	32.0	202	193 / 506	33.7 / 88.6
EL113R	N/A	68.0	5 + 2	40.0	40.0	47.2	243	245 / 510	43 / 89
EL114R	N/A	68.0	5 + 2	40.0	40.0	47.2	255	245 / 510	43 / 89
EL115R	N/A	76.0	6 + 2	40.0	40.0	54.0	255	325 / 689	57 / 121
EL116R	N/A	92.0	8 + 2	40.0	40.0	58.2	247	412 / 678	72 / 119
EL117R	N/A	60.0	5+1	40.0	27.0	25.4	157	198 / 375	34.6 / 65.7
EL118R	N/A	70.0	6+1	40.0	27.0	29.7	166	241 / 405	42.2 / 70.9
EL119R	N/A	69.0	5+1	40.0	27.0	30.2	152	373 / 606	65.3 / 106.2
EL120R	N/A	45.0	3+1	50.0	32.7	19.3	241	150 / 515	26.2 / 90.3
EL121R	N/A	56.0	4+1	50.0	32.7	23.7	231	213 / 558	37.4 / 97.8
EL122RA	N/A	64.0	5+2	40.0	40.0	26.2	204	120 / 283	21.1 / 49.6
EL122RB	N/A	64.0	5+2	40.0	40.0	26.2	189	120 / 283	21.1 / 49.6
EL123R	N/A	48.0	3+1	40.0	30.0	22.7	184	193 / 499	33.8 / 87.5
EL124R	N/A	59.0	4+1	40.0	30.0	27.0	184	250 / 538	43.8 / 94.3
EL125R	N/A	70.0	5+1	40.0	30.0	31.9	180	307 / 576	53.9 / 100.9
EL126R	N/A	56.0	4+1	50.0	32.7	23.7	179	213 / 558	37.4 / 97.8
EL127R	N/A	67.0	5+1	50.0	32.7	28.8	179	277 / 601	48.6 / 105.4
EL128R	N/A	79.0	6+1	50.0	32.7	32.8	173	338 / 722	59.3 / 126.5
EL129R	N/A	53	4+1	40	30	23.7	175	169 / 305	29.6 / 53.5
EL130R	N/A	56	4+1	50	32.7	23.8	192	213 / 558	37.4 / 97.8
EL131R	N/A	67	5+1	50	32.7	28.8	188	277 / 601	48.6 / 105.4
EL132R	N/A	79	6+1	50	32.7	32.8	181	338 / 722	59.3 / 126.5
PB004R	N/A	22	2	40	30	13.3	241	180	31.5
PB005R	N/A	26	2	40	30	14.2	245	244	42.8
PB006R	N/A	39	3	40	30	20.8	214	367	64.3
PB007R	N/A	26	2	40	40	20.1	286	248	43.5
PB008R	N/A	28	2	40	40	21.4	277	327	57.3
PB009R	N/A	39	3	40	40	29.6	268	414	72.6
PB010R	N/A	45	3	40	40	32.6	247	620	108.6
PB011R	N/A	29	3	50	32.7	15.4	208	226	39.6
PB012R	N/A	33	3	50	32.7	16.6	203	323	56.6
PB013R	N/A	42	4	50	32.7	21.8	198	382	67

Free Camber is measured from top of eye (not centre line) to main leaf at centre bolt. Allow 3mm tolerance either side.
Where two spring rates are listed for one part number the spring is progressive.

SPECIFICATIONS - COIL SPRINGS

COIL SPRINGS

Spring Number	X5K Steel	Bar Dia. mm	Free Height mm		Number of Turns	Coil weight Kg	Spring Rate		OE Spring Rate Lbs
			A	B			lbf / in	N / mm	
2105 ¹	X	19	475	485	9.0	8.5	350	61	160
2106 ¹	X	21	460	470	8.3	11.3	400 / 440	70 / 77	170
2412	X	17	460	445	8.0	6.1	250	44	200
2413	X	17	485	470	8.0	6.1	250	44	200
2414	X	18	510	495	9.5	8.3	250	44	200
2415	X	19	510	495	7.7	8.5	290	51	180
2416	X	19	535	520	7.7	8.5	290	51	180
2417	X	19.5	560	545	8.3	9.9	290	51	180
2418	X	18	505	515	9.0	7.5	300	52	160
2419	X	18	530	540	9.0	7.5	300	52	160
2420	X	19	555	565	10.75	10.0	300	52	160
2421	X	19	480	490	7.7	8.5	280	49	170
2422	X	19	505	515	7.7	8.5	280	49	170
2423	X	19.5	530	540	8.3	9.9	280	49	170
2500 ¹	X	14.5	385	385	5.4	3.4	155	27	130
2501 ¹	X	15	350	350	7.3	4.3	175	31	130
2502 ¹	X	16	350	350	6.0	4.3	245	43	130
2503 ¹	X	15	342	342	7.0	4.1	185	32	130
2504 ¹	X	14.5	355	355	5.4	3.4	155	27	130
2505 ¹	X	15	330	330	7.3	4.3	175	31	130
2506 ¹	X	15	330	330	5.1	3.4	180	32	130
2507 ¹	X	15	338	338	5.1	3.5	180	32	160
2508 ¹	X	15	315	315	5.6	3.6	180	32	160
2509 ¹	X	17	360	360	5.4	4.7	250	44	200
2510 ¹	X	15	360	360	7.15	4.1	180	32	140
2511 ¹	X	13.5	345	345	6.6	2.8	190	33	160
2512 ¹	X	17.5	305	305	6.25	4.1	500	88	420
2513 ¹	X	14.5	345	345	6.63	3.3	250	44	200
2516 ¹	X	16	270	270	4.7	3.5	260	46	200
2517 ¹	X	16	280	280	4.7	3.5	260	46	200
2518 ¹	X	14.5	325	325	8.6	3.4	340	60	280
2519 ¹	X	15.5	355	355	5.7	4.1	190	33	140
2520 ¹	X	15	360	360	6.6	3.9	180	32	150
2523 ¹	X	16	300	300	8.0	4.1	500	88	440
2524 ¹	X	15	255	255	5.7	2.8	200	35	160
2525 ¹	X	15	340	340	5.75	3.8	215	38	160
2526 ¹	X	14.5	385	385	6.25	3.5	190	33	150
2527 ¹	X	19	385	385	5.0	6.5	240	42	180
2528 ¹	X	16	310	310	5.5	3.5	310	54	180
2529 ¹	X	14.5	375	375	7.51	3.6	230	40	300
2530 ¹	X	16	335	335	7.25	4.2	350	61	190
2531 ¹	X	14	315	315	6.5	3.0	230	40	100
2532 ¹	X	12	310	310	7.75	2.4	140	25	260
2533 ¹	X	16	450	450	11.0	5.3	355	62	280
2534 ¹	X	17	360	360	7.4	5.1	330	58	160
2535 ¹	X	14	370	370	7.5	3.3	200	35	450
2536	X	17	265	260	6.5	3.9	650	114	450
2538	X	17	265	260	6.5	3.9	650	114	150
2539 ¹	X	13.5	345	345	5.9	2.7	180	32	350
2540 ¹	X	16	300	300	7.0	3.7	420	74	540
2601 ¹	X	18	350	350	8.35	5.5	650	114	150
2602 ¹	X	16	392	392	8.22	5.6	180	32	140
2603	X	17	410	410	7.0	6.4	188	33	140
2604	X	17	400	400	6.0	5.5	227	38	680
2605	X	18	315	315	7.75	5.1	730	128	680

1. When remaining stock is exhausted no further product will be available.

cont.

SPECIFICATIONS - COIL SPRINGS

COIL SPRINGS

Spring Number	X5K Steel	Bar Dia. mm	Free Height mm		Number of Turns	Coil weight Kg	Spring Rate		OE Spring Rate Lbs
			A	B			lbf / in	N / mm	
2606	X	18	320	320	7.75	5.1	730	128	680
2607	X	16.5	370	370	9.5	5.3	480	84	450
2608	X	16.5	380	380	9.5	5.3	480	84	450
2609	X	19	440	440	8.0	7.8	390	68	330
2610	X	20	430	430	8.0	8.7	460	81	330
2611	X	18	310	310	7.75	5.1	730	128	680
2612	X	20	415	415	10.99	8.9	740	130	680
2613	X	20	435	435	10.99	8.9	740	130	680
2614	X	20	425	425	10.99	8.9	740	130	680
2615	X	13	510	510	10.0	3.7	120	21	120
2616	X	14	490	490	10.5	4.6	135	24	120
2617	X	15	430	430	7.0	4.1	160	28	100
2618	X	16	435	435	7.75	5.3	175	31	100
2619	X	14	515	515	10.5	4.6	135	24	120
2620	X	15	450	450	9.0	4.5	200	35	120
2621	X	14	520	520	9.55	4.1	150	26	120
2622	X	14.5	375	375	7.0	3.6	210	37	160
2623	X	15	375	375	6.1	3.8	200	35	160
2624	X	15	365	365	6.1	3.8	200	35	160
2625 (12/19 On)	X	16	540	540	9.5	4.3	540	95	460
2625 (To 11/19)	X	17	345	345	8.5	4.8	540	95	460
2626	X	13	500	500	10.0	3.7	120	21	120
2627	X	14	475	475	10.5	4.6	135	24	120
2628	X	14	505	505	10.5	4.6	135	24	120
2629	X	14	505	505	9.55	4.1	150	26	120
2630	X	15	405	405	7.0	4.1	160	28	100
2631	X	17.5	375	375	9.9	5.9	580	102	88
2640 ¹	X	17.5	305	305	7.4	4.5	730	128	670
2641 ¹	X	18	310	310	7.4	4.8	790	139	670
2642	X	14	540	540	10.5	4.6	135	24	120
2643	X	14.5	460	460	9.0	4.2	175	31	100
2700	X	18	420	420	8.75	5.7	625	109	500
2701	X	19	425	425	9.48	6.9	720	126	500
2702	X	18.5	430	430	9.48	6.6	625	109	500
2703	X	19	435	435	9.48	6.9	720	126	500
2704	X	18	410	410	8.8	6.6	625	109	500
2705	X	19	415	415	9.5	6.9	720	126	500
2720	X	18.5	420	410	8.42	8.8	270 / 350	47 / 61	170
2721	X	18.5	440	430	8.42	8.8	270 / 350	47 / 61	170
2722	X	19	440	430	7.2	8.0	275	48	170
2723	X	20	450	440	7.2	8.9	340	59	170
2724	X	21	445	435	7.2	9.8	400	70	170
2725	X	22	445	435	7.71	11.6	440	77	170
2730	X	15.5	315	315	5.4	3.5	240	42	200
2731	X	15.5	300	300	5.0	3.1	280	49	200
2743	X	21	360	360	8.6	8.7	800	140	600
2744	X	18	400	400	9.7	6.5	530	93	480
2745	X	19	390	390	9.7	7.2	670	117	480
2746	X	20	370	370	8.6	7.9	680	119	600
2751	X	15	390	380	6.57	3.9	225	39	200
2752	X	17	440	440	9.0	7.7	175 / 200	31 / 35	200
2754	X	20	435	435	6.9	8.3	420	74	240
2755	X	18	435	435	6.8	6.5	300	52	240
2760	X	15	395	385	9.0	5.2	180 / 250	32 / 44	160
2761	X	15	400	390	7.5	4.4	200	35	160

1. When remaining stock is exhausted no further product will be available.

cont.

SPECIFICATIONS - COIL SPRINGS

COIL SPRINGS

Spring Number	X5K Steel	Bar Dia. mm	Free Height mm		Number of Turns	Coil weight Kg	Spring Rate		OE Spring Rate Lbs
			A	B			lbf / in	N / mm	
2762	X	17.5	420	410	8.6	7.0	300 / 340	52 / 60	170
2763	X	18	420	410	7.8	6.7	360	63	200
2764	X	16	430	420	8.0	5.4	220	39	200
2765 ¹	X	22	410	410	8.0	11.7	540	95	240
2766	X	16	420	420	7.52	5.0	250	44	220
2767	X	16	385	375	6.66	4.5	285	50	200
2768	X	20	560	560	11.0	10.3	450	79	220
2770 ¹	X	16	480	470	10.0	6.5	260	45	160
2776	X	14	410	390	7.0	3.6	160	28	150
2777	X	14.5	395	375	7.24	4.0	180	32	150
2779	X	15.5	385	375	7.29	4.6	225	39	150
2780 ¹	X	18.5	470	460	8.68	9.0	250 / 340	43 / 59	160
2781	X	17	425	415	7.7	5.9	290	51	160
2789	X	16	280	280	7.25	3.9	410	72	380
2790	X	17	378	378	9.35	5.2	500	87	400
2791	X	16	280	280	7.25	3.9	410	72	380
2792	X	14	435	435	9.3	4.1	155	27	130
2793	X	15	350	350	5.2	3.7	165	29	120
2794	X	16	260	255	7.25	4.2	420	73	330
2795	X	16	285	285	6.0	4.0	360	63	330
2796 ¹	X	16	255	250	7.25	4.2	420	73	330
2797	X	13	350	350	10.0	2.7	340	59	300
2798	X	13	400	400	10.2	3.2	210	36	180
2799 ¹	X	16	353	353	5.5	4.5	200	35	150
2802	X	16	445	445	11.31	5.9	320	56	205
2803	X	16	465	465	10.7	5.5	340	59	205
2838	X	18	420	410	7.5	7.7	205 / 290	36 / 51	160
2850	X	16.5	495	505	9.0	6.2	220	38	160
2850J	X	17	515	525	9.9	7.3	220	38	160
2851	X	16	475	485	8.18	5.3	220	38	160
2853	X	16.5	485	485	10.13	6.2	275	48	160
2856	X	16	465	465	10.0	5.3	230	40	210
2859	X	16	470	470	9.25	5.3	275	48	210
2860	X	17	480	490	6.88	6.0	220	38	170
2861	X	16	480	490	10.4	6.8	170 / 250	30 / 44	160
2862	X	17	460	470	9.0	7.8	170 / 260	30 / 46	160
2863	X	18	480	490	7.0	6.9	250	43	170
2863J	X	18.5	505	515	7.7	9.2	265	46	170
2864	X	19	480	490	7.2	7.8	320	56	170
2865	X	17	460	460	6.88	6.0	220	38	170
2866	X	18	465	465	9.0	8.8	240 / 300	42 / 52	170
2868	X	20	480	490	7.15	8.8	360	63	170
2869	X	16.5	380	380	9.8	4.7	590	103	500
2870	X	14	370	355	8.5	3.6	220	38	160
2871	X	16	410	400	7.25	4.9	220	38	160
2872	X	14	400	400	9.0	3.9	190	33	160
2873	X	16	455	455	8.25	5.6	200	35	160
2874	X	15	408	408	9.0	4.5	220	38	160
2875	X	17	440	440	8.3	6.4	240	42	170
2876	X	14	390	375	8.5	3.6	200	35	160
2880	X	16	365	365	10.2	4.7	500	87	490
2881	X	16	375	375	10.2	4.7	500	87	490
2882	X	16.5	395	395	11.1	5.3	500	87	490
2883	X	16.5	375	375	9.75	4.7	590	103	500
2884	X	16.5	390	390	9.75	4.7	590	103	500

1. When remaining stock is exhausted no further product will be available.

cont.

SPECIFICATIONS - COIL SPRINGS

COIL SPRINGS

Spring Number	X5K Steel	Bar Dia. mm	Free Height mm		Number of Turns	Coil weight Kg	Spring Rate		OE Spring Rate Lbs
			A	B			lbf / in	N / mm	
2885 (01/09 On)	X	17	395	395	10.75	4.7	590	103	500
2885	X	16.5	395	395	9.75	4.7	590	103	500
2886	X	17.5	402	402	10.6	5.9	660	115	590
2887 (01/09 On)	X	17	400	400	10.75	4.7	590	103	500
2887	X	16.5	400	400	9.75	4.7	590	103	500
2888 (01/09 On)	X	17	405	405	10.75	4.7	590	103	500
2888	X	16.5	405	405	9.75	4.7	590	103	500
2889	X	16.5	400	400	6.21	4.6	260	45	150
2890	X	14.5	440	430	9.7	5.0	190	33	150
2891	X	15.5	425	415	9.5	5.6	210	37	150
2892	X	17	400	390	8.9	6.4	260 / 380	67	150
2895	X	16.5	390	390	6.21	4.6	260	45	150
2895E	X	17	375	375	6.75	5.4	260	45	150
2896	X	18	390	390	6.75	6.1	318	56	150
2897	X	19	390	390	6.75	6.9	387	68	150
2898	X	18	400	400	6.75	6.1	318	56	150
2899	X	19	400	400	6.75	6.9	387	68	150
2900	X	15	405	395	6.36	4.1	180	32	140
2901	X	16	395	385	6.25	4.6	220	38	140
2902	X	18	340	340	8.35	5.5	650	114	560
2903	X	16	380	380	7.3	5.0	210	37	160
2904	X	15	410	410	6.8	4.2	170	30	140
2905	X	17	313	313	6.0	4.6	360	63	300
2906	X	15	390	380	9.0	5.0	220	38	160
2907 ¹	X	17	370	370	5.25	5.0	213	37	160
2908 ¹	X	16	295	295	7.25	4.2	368	64	300
2910	X	17	400	390	7.5	6.9	150 / 260	26 / 45	160
2911	X	16	400	390	7.5	6.0	140 / 230	24 / 40	160
2912	X	15	420	420	10.8	5.7	180 / 300	31 / 52	160
2913	X	15	390	390	9.3	4.9	180 / 300	31 / 52	160
2914	X	18	330	330	8.1	5.5	650	114	580
2915	X	18	345	345	8.1	5.5	650	114	580
2917	X	21	345	335	7.25	8.4	700 / 900	112 / 158	650
2918	X	22	338	328	7.25	9.3	860 / 1000	151 / 175	650
2919	X	15	430	430	10.8	5.7	200 / 280	35 / 49	160
2920	X	14	430	430	8.0	3.7	190	33	160
2921	X	16	385	385	6.8	5.2	200	35	150
2922	X	14	360	360	6.1	3.3	140	25	120
2923	X	16	395	395	6.8	5.2	200	35	150
2924	X	19	340	340	8.1	6.2	790	138	580
2925	X	16	385	385	10.77	5.2	375	66	320
2926	X	16	392	392	10.77	5.2	375	66	320
2927	X	16	394	394	10.3	5.0	400	70	320
2928	X	16	410	410	6.8	5.3	200	35	150
2929	X	16	420	420	10.8	6.5	240 / 300	42 / 53	180
2930	X	14	475	465	9.8	4.2	162	28	140
2931	X	14	510	500	11.9	5.1	140	25	140
2932	X	14	480	470	11.2	4.8	140	25	140
2933	X	14	495	485	11.2	4.8	140	25	140
2934	X	14	510	500	10.0	4.3	160	28	140
2935	X	14	420	410	9.8	4.1	180	32	140
2936	X	15	420	410	10.0	4.8	220	39	170
2937	X	15	400	400	7.25	4.1	220	39	170
2938	X	18	400	390	7.5	7.7	205 / 290	36 / 51	160
2940	X	14	380	370	8.6	3.7	190	33	140

1. When remaining stock is exhausted no further product will be available.

cont.

SPECIFICATIONS - COIL SPRINGS

COIL SPRINGS

Spring Number	X5K Steel	Bar Dia. mm	Free Height mm		Number of Turns	Coil weight Kg	Spring Rate		OE Spring Rate Lbs
			A	B			lbf / in	N / mm	
2941	X	15	390	375	7.2	4.4	140	25	140
2942	X	15.5	380	365	6.58	4.2	160	28	140
2943	X	15	370	360	8.6	4.3	230	40	150
2944	X	15	395	385	8.0	4.4	190	33	165
2945	X	16	350	340	7.5	4.7	240	42	170
2947	X	16	340	340	5.8	4.4	170	30	150
2948	X	16	340	340	5.56	4.2	200	35	150
2949	X	17	370	355	7.1	5.6	216	38	160
2950	X	16	300	300	8.5	4.0	540	95	420
2951	X	15	290	290	8.5	3.5	440	77	420
2952	X	11	345	345	8.3	1.8	142	25	120
2953	X	16	285	285	8.5	4.1	540	95	420
2954	X	12	340	340	8.5	2.2	180	32	140
2955	X	13	350	350	10.0	3.0	200	35	140
2956	X	16	330	330	8.5	4.2	500	88	420
2959	X	16	310	310	8.5	4.0	540	95	440
2960	X	15	300	300	8.5	3.5	440	77	410
2961	X	13	340	340	10.0	3.0	200	35	150
2962	X	16	320	320	8.5	4.0	540	95	440
2963	X	11.5	350	350	10.0	2.4	146	26	120
2965	X	11.5	365	365	10.0	2.4	146	26	120
2966	X	12	335	315	10.0	2.5	176	31	120
2967	X	12	325	325	9.0	2.4	176	31	120
2968	X	14	370	370	9.35	3.7	210	37	120
2969	X	12	360	360	9.5	2.5	170	30	150
2970	X	17	395	385	6.7	5.2	320	56	160
2971	X	17	405	395	6.66	4.5	320	56	160
2972	X	16	400	385	6.55	4.5	250	44	160
2972E	X	16	404	404	6.55	4.5	250	44	160
2973	X	16	415	400	6.55	4.5	250	44	160
2974	X	16	385	370	6.55	4.5	250	44	160
2974E	X	16	385	385	6.55	4.5	250	44	160
2975	X	16	425	410	7.45	5.0	220	39	160
2976	X	16	440	425	7.2	4.9	220	39	160
2977	X	20	370	370	7.6	7.1	730	128	650
2978	X	20.5	370	370	7.6	7.6	790	138.5	650
2979	X	20.5	375	375	7.6	7.6	790	138.5	650
2980	X	19	490	470	9.0	10.0	250	44	200
2981	X	21	480	460	9.0	12.3	300	53	200
2982	X	19	470	450	9.0	10.0	250	44	200
2983	X	20	480	455	9.0	11.1	300 / 400	44 / 70	200
2984	X	21	480	455	9.0	12.3	360 / 450	63 / 79	200
2985	X	21	480	460	7.0	9.8	470	82	200
2986	X	21	500	500	8.2	10.0	540	94.7	380
2987	X	22	500	500	8.1	11.0	610	107	380
2988	X	22.4	500	500	8.2	11.5	680	119	380
2990	X	18	370	370	8.9	6.3	530	93	440
2991	X	19	365	365	8.9	7.1	630	110	440
2992	X	17	355	345	7.15	5.8	240	42	190
2993	X	18	345	335	6.6	6.0	280	49	190
2994	X	21	335	325	7.25	8.4	700 / 900	123 / 158	600
2995	X	22	350	340	7.25	9.3	860 / 1000	151 / 175	600
2996	X	17.5	370	355	7.1	6.0	250	44	200
2997	X	18	360	360	8.72	5.5	800	140	700
2998	X	18	365	365	8.72	5.5	800	140	700
2999	X	18.5	365	365	8.72	5.8	840	147	700

cont.

SPECIFICATIONS - COIL SPRINGS

COIL SPRINGS

Spring Number	X5K Steel	Bar Dia. mm	Free Height mm		Number of Turns	Coil weight Kg	Spring Rate		OE Spring Rate Lbs
			A	B			lbf / in	N / mm	
3027	X	18.5	325	325	7.6	5.4	800	140	680
3028	X	17	430	420	8.5	6.1	330	58	250
3029	X	17	440	430	8.5	6.1	330	58	250
3030	X	20	435	425	7.5	9.0	270 / 330	47 / 58	190 / 280
3033	X	18	430	420	8.0	7.0	320	56	N/A
3034	X	21	505	485	9.0	12.4	300	52	N/A
3035	X	22	505	485	8.1	12.4	470	82	N/A
3036	X	18	455	445	8.0	7.0	320	56	N/A
3037	X	21	530	510	9.0	12.4	300	52	N/A
3038	X	22	530	510	8.1	12.4	470	82	N/A
3039	X	17	520	530	9.9	7.3	220	38.5	N/A
3040	X	19	505	515	8.3	9.2	250	44	N/A
3043	X	19	530	540	8.3	9.2	250	44	N/A
3046	X	15.5	490	490	9.81	5.4	200	35	N/A
3047	X	14.5	545	545	10.74	5.2	150	26	N/A
3048	X	18	350	350	8.72	5.5	800	140	N/A
3049	X	20	505	515	8.3	10.3	320	56	N/A
3051	X	17	545	555	9.9	7.3	220	38.5	N/A
3052	X	20	530	540	8.3	10.3	320	56	N/A
3056 ¹	X	16.5	360	360	9.75	4.7	590	103	580
3057	X	16.5	365	365	9.75	4.7	590	103	580
3058	X	16.5	370	370	9.75	4.7	590	103	580
3059 ¹	X	15.5	480	480	9.5	5.0	250	44	220
3060	XT	21	360	360	8.0	7.9	880	154	750
3061	X	16.5	450	450	9.85	6.2	250 / 300	44 / 52.5	N/A
3062	X	15.5	450	440	9.5	6.0	200	35	N/A
3063	X	16	450	440	9.5	6.5	225	39.4	N/A
3064	X	17	520	520	9.53	8.1	175 / 200	30.6 / 35	N/A
3065	X	19	515	515	9.3	10.0	270 / 330	47 / 58	N/A
3066	X	21	500	500	9.66	12.9	370 / 430	65 / 75	N/A
3067	X	22.4	470	460	8.30	13.4	350 / 650	61 / 114	N/A
3070 ¹	X	15.5	445	445	9.50	5.0	250	44	220
3071 ¹	X	15.5	485	485	9.50	5.0	250	44	220
3072 ¹	X	15.5	495	495	9.50	5.0	250	44	220
3073 ¹	X	15.5	460	460	9.50	5.0	250	44	220
3074	XT	20	385	385	8.00	7.0	750	131	750
3075	XT	21.5	580	580	11.95	13.1	520	91	N/A
3076	XT	21.5	605	605	11.95	13.1	520	91	N/A
3077 ¹	X	17	400	390	8.50	6.1	330	58	N/A
3078 ¹	XT	20	405	395	7.50	8.5	270 / 330	47 / 58	N/A
3079	X	17.5	310	310	7.75	4.7	690	121	N/A
3080	X	18	315	315	7.75	5.0	745	130	N/A
3085 ¹	X	15.5	515	510	10.75	6.0	250	44	220
3086 ¹	X	16	505	500	10.75	6.0	250	44	220
3087	X	15	420	420	8.50	4.5	220	38.5	220
3088	X	15.5	440	440	10.25	5.9	200 / 260	35 / 46	200
3089	X	16	445	445	10.25	6.3	240 / 300	42 / 53	200
3090	X	16.5	450	450	10.25	6.7	260 / 330	46 / 58	200
3091	X	15	435	435	8.18	4.1	220	38.5	220
3092	X	15.5	425	425	8.18	4.4	260	46	220
3093	X	16.5	430	430	8.13	5.0	320	56	220
3094	X	18	330	330	8.72	5.5	800	140	700
3095	X	16	445	445	8.50	5.8	180/260	32/46	210
3096	X	17	440	440	8.50	6.5	220/320	39/56	210
3097	X	18	440	440	8.50	7.4	280/380	49/67	210

1. When remaining stock is exhausted no further product will be available.

cont.

SPECIFICATIONS - COIL SPRINGS

COIL SPRINGS

Spring Number	X5K Steel	Bar Dia. mm	Free Height mm		Number of Turns	Coil weight Kg	Spring Rate		OE Spring Rate Lbs
			A	B			lbf / in	N / mm	
3098	X	19	440	440	8.50	8.3	350/450	61/84	210
3099	X	16.75	390	390	10.00	5.4	500	87.5	440
3100	X	16.75	395	395	10.00	5.4	500	87.5	440
3101	X	16.75	400	400	10.00	5.4	500	87.5	440
3102	X	18.5	305	305	7.75	5.4	800	140	760
3103	X	18.5	310	310	7.75	5.4	800	140	760
3104	X	18.5	315	315	7.75	5.4	800	140	760
3105	X	18.5	320	320	7.75	5.4	800	140	760
3106	X	18	470	470	8.75	8.1	240-330	42-58	180-220
3107	X	18.5	490	490	8.75	8.6	260-350	46-61	180-220
3108	X	18	320	320	8.1	5.5	650	114	N/A
3109	X	18	340	340	8.1	5.5	650	114	N/A
3110	X	19.5	400	400	8.0	7.8	562-740	98-129	N/A
3111	X	20.3	410	410	8.0	8.5	700-840	122-147	N/A
3112	X	22.5	380	380	6.93	9.1	975	170	N/A
3113	X	17.5	435	435	9.85	7.0	300-400	52-70	N/A
3114	X	16.5	385	385	9.75	4.7	590	103	500
3115	X	18	325	325	7.75	5.0	745	130	N/A
3116	X	18	330	330	7.75	5.0	745	130	N/A
3118	X	15.5	430	430	10.5	5.0	325	57	N/A
3119	X	15.5	440	440	10.5	5.0	325	57	N/A
3120	X	15.5	450	450	10.5	5.0	325	57	N/A
3121	X	15.5	460	460	10.5	5.0	325	57	N/A
3132	X	18	325	325	7.75	5.1	730	128	680
3133	X	14	470	460	10.5	4.7	140	24.5	N/A
3134	X	14	490	480	10.5	4.7	140	24.5	N/A
3135	X	14	515	505	10.5	4.7	140	24.5	N/A
3136	X	15	425	415	7.9	4.5	160	28	N/A
3137	X	15.5	430	420	7.8	4.8	175	31	N/A
3138	X	16.5	430	420	8.0	5.6	225	39	N/A
3139	X	17	430	420	7.8	5.8	260	45.5	N/A
3140	X	17.5	375	375	10.0	5.8	605	106	N/A
3141	X	17.5	390	390	10.0	5.8	605	106	N/A
3142	X	17.5	400	400	10.0	5.8	605	106	N/A
3143	X	17.5	405	405	10.0	5.8	605	106	N/A
3144	X	12	370	370	9.46	2.6	146	25.5	N/A
3145	X	12	380	380	9.46	2.6	146	25.5	N/A
3146	X	11	350	340	8.7	2.0	125	22	N/A
3153	X	13.5	450	440	9.32	4.7	140	24.5	N/A
3154	X	14	475	465	10.5	4.7	140	24.5	N/A
3155	X	14	485	475	10.5	4.7	140	24.5	N/A
3156	X	14	51	500	10.50	4.7	140	24.5	N/A
3157	X	15	390	380	7.09	4.0	175	30.7	N/A
3158	X	16	390	380	7.24	4.7	225	39.4	N/A
3159	X	16.5	390	380	7.08	4.9	260	45.5	N/A
3160	X	13.5	430	420	9.32	3.9	140	24.5	N/A
3161	X	14.5	385	375	7.11	3.8	160	28.0	N/A
3162	X	14.75	515	505	10.50	5.2	170	30.0	N/A
3163	X	18	415	415	10.47	6.5	600	105.0	N/A
3164	X	18	425	425	10.47	6.5	600	105.0	N/A
3165	X	18	430	430	10.47	6.5	600	105.0	N/A
3167	X	16.5	515	505	10.22	6.8	220	38.5	N/A
3168	X	17.5	515	505	9.83	7.4	280	49.0	N/A
3169	X	18.5	515	505	9.83	8.2	340	59.5	N/A
3175	X	14.5	515	505	10.50	5.0	160	28.0	N/A

cont.

SPECIFICATIONS - COIL SPRINGS

COIL SPRINGS

Spring Number	X5K Steel	Bar Dia. mm	Free Height mm		Number of Turns	Coil weight Kg	Spring Rate		OE Spring Rate Lbs
			A	B			lbf / in	N / mm	
3176	X	17.5	385	385	9.35	5.0	660	115.5	N/A
3177	X	17.5	395	395	10.18	5.8	660	115.5	N/A
3178 ¹	X	17.5	400	400	10.18	5.8	660	115.5	N/A
3179 ¹	X	17.5	405	405	10.18	5.8	660	115.5	N/A
3181	X	17	405	405	9.0	5.5	460	80.5	N/A
3182	X	15.5	450	450	9.0	5.1	215	38.0	N/A
3183	X	15.75	480	480	9.49	5.6	215	38.0	N/A
3185	X	19	450	420	7.20	8.0	275	48.0	N/A
3186	X	20	460	430	7.20	9.0	340	59.5	N/A
3187	X	21	455	425	7.20	9.9	400	70.0	N/A
3188	X	21	455	425	6.72	9.0	440	77.0	N/A
3189	X	11.5	370	370	9.55	2.4	122	21.0	N/A
3190	X	17.5	390	390	9.35	5.0	660	115.5	N/A
3191	X	16.5	465	465	9.37	6.8	180 / 260	32.46	N/A
3192	X	17.5	460	460	9.37	7.7	220 / 320	39 / 56	N/A
3193	X	18.5	460	460	9.37	8.7	280 / 380	49 / 67	N/A
3194	X	19.5	460	460	9.37	9.7	350 / 480	61 / 84	N/A
3195	X	14.5	400	400	6.79	4.5	110 / 230	19 / 40	N/A
3196	X	16.5	310	310	7.75	4.0	560 / 710	98 / 124	N/A
3198	X	15.75	452	452	10.50	5.2	332 / 400	58 / 70	N/A
3199	X	16.25	450	450	10.30	5.6	363 / 435	64 / 76	N/A
3200	X	16.5	447	447	10.00	5.5	393 / 472	69 / 83	N/A
3204	X	14.25	525	525	16.00	6.5	239 / 287	42 / 50	N/A
3205	X	14.75	530	530	15.80	7.4	288 / 345	50 / 60	N/A
3206	X	15.25	535	535	15.80	8.2	336 / 403	59 / 71	N/A
3207	X	18.5	415	415	9.29	6.6	605	106	N/A
3208	X	18.5	425	425	9.29	6.6	605	106	N/A
3209	X	18.5	430	430	9.29	6.6	605	106	N/A
3210	X	18.5	435	435	9.29	6.6	605	106	N/A
3211	X	18.5	405	405	9.29	6.4	605	106	N/A
3212	X	17.5	500	500	8.75	7.5	210 / 300	37 / 53	N/A
3213	X	18	490	190	8.75	8.0	240 / 330	42 / 58	N/A
3214	X	18.5	505	505	8.75	8.5	260 / 350	46 / 61	N/A
3215	X	18	395	395	9.30	6.1	625	109.5	N/A
3216	X	18	400	400	9.30	6.2	625	109.5	N/A
3217	X	18	405	405	9.30	6.2	625	109.5	N/A
3218	X	18	410	410	9.30	6.2	625	109.5	N/A
3219	X	17.5	470	470	9.00	8.5	175 / 220	30.7 / 38.5	N/A
3220	X	18.5	460	460	9.00	9.6	354	62	N/A
3221	X	19	465	465	9.00	10.1	400	70	N/A
3222	X	19.5	470	470	9.00	10.7	440	77	N/A
3224	X	18	390	390	9.30	6.1	625	109.5	N/A
3232	X	17.5	475	475	8.75	7.6	209 / 300	36.7 / 52.5	N/A
3304	X	18	385	385	9.30	6.2	628	110	N/A
3310	X	18	380	380	9.30	6.2	628	110	N/A
3311	X	17.5	450	450	9.00	8.6	228	40	N/A
3312	X	18	450	450	9.00	9.0	354	62	N/A
3313	X	18.5	455	455	9.00	9.6	400	70	N/A
3314	X	19	465	465	9.00	10.1	440	77	N/A
4000	X	17	385	385	9.00	5.0	588	103	N/A
4001	X	17	370	370	9.00	5.0	588	103	N/A
4002	X	17	390	390	9.00	5.0	588	103	N/A
4003	X	16	370	370	8.50	4.2	497	87	N/A
4004	X	17	395	395	9.00	5.0	588	103	N/A
4005	X	17	375	375	9.00	5.0	588	103	N/A
4006	X	16	360	360	8.50	4.2	497	87	N/A
4007	X	17	380	380	9.00	5.0	588	103	N/A
4008	X	18.5	425	425	9.70	6.9	622	109	N/A

1. When remaining stock is exhausted no further product will be available.

cont.

SPECIFICATIONS - COIL SPRINGS

COIL SPRINGS

Spring Number	X5K Steel	Bar Dia. mm	Free Height mm		Number of Turns	Coil weight Kg	Spring Rate		OE Spring Rate Lbs
			A	B			lbf / in	N / mm	
4009	X	17	385	385	8.75	4.9	605	106	N/A
4010	X	18.5	415	415	9.70	6.9	622	109	N/A
4011	X	16.5	375	375	9.00	4.8	479	84	N/A
4013	X	18	355	355	8.45	5.3	799	140	N/A
4014	X	20	365	365	8.20	7.5	731	128	N/A
4015	X	17	370	370	8.80	4.8	605	106	N/A
4016	X	16.5	385	385	8.70	4.7	499	87.5	N/A
4017	X	19	410	410	9.45	7.1	742	130	N/A
4018	X	17	360	360	9.00	5.0	588	103	N/A
4019	X	18.5	405	405	9.70	6.9	622	109	N/A
4022	X	18.5	385	385	9.70	6.9	622	109	N/A
4023	X	18.5	390	390	9.70	6.9	622	109	N/A
4024	X	18	410	410	8.81	6.0	605	106	N/A
4025	X	18	345	345	8.45	5.3	799	140	N/A
4026	X	17	365	365	9.00	5.0	588	103	N/A
4028	X	18	400	400	8.80	6.0	605	106	N/A
4029	X	15.5	425	425	10.30	5.0	325	57	N/A
4030	X	15.5	435	435	10.30	5.0	325	57	N/A
4031	X	16.5	370	370	9.00	4.8	479	84	N/A
4032	X	16	365	365	9.00	4.8	479	84	N/A
4033	X	18	315	315	7.80	5.2	742	130	N/A
4034	X	17.5	310	310	7.63	4.8	691	121	N/A
4035	X	18	415	415	10.20	6.6	599	105	N/A
4036	X	15.75	400	400	9.40	4.5	400	70	N/A
4038	X	18	380	380	9.00	6.0	622	109	N/A
4039	X	18	375	375	9.00	6.0	622	109	N/A
4044	X	18	380	380	9.00	5.8	659	115.5	N/A
2GQ02A	X	18	465	465	9.0	9.0	200	35.0	180
2GQ02AM	X	18	505	490	8.7	8.7	220 / 240	39 / 42	180
2GQ02B	X	19	445	445	9.0	10.0	250 / 280	44 / 49	180
2GQ02C	X	18	480	465	9.0	9.0	200	35	180
2GQ02CM	X	17	485	470	9.0	7.9	170 / 190	30 / 33	180
2GQ02D	X	18	480	480	9.0	9.0	200	35	180
2GQ02G	X	19	475	460	9.0	10.0	220 / 350	39 / 61	180
2GQ02J	X	20	480	465	9.0	11.1	280 / 310	49 / 54	180
2GQ02LP	X	19	475	445	9.0	10.0	250 / 280	44 / 49	180

SPARE PARTS

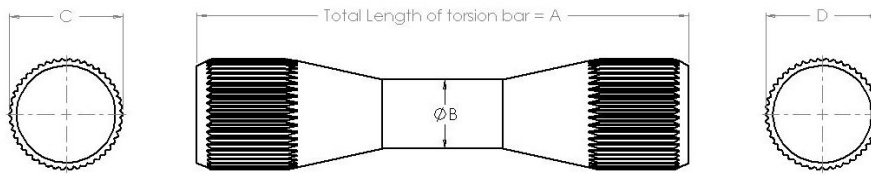
Part #	Description
OMESB3009	COIL SPRING ISOLATOR, SUITS N+ & MT-64 (58MM BODY) (Single)

X5K MICRO-ALLOYED SPRING STEEL is a new generation high strength spring steel grade designed to withstand higher operating stresses with superior resistance to sag and improved toughness and corrosion fatigue properties. These properties are enhanced by with lower Carbon than conventional spring steel grades. additions of Silicon, Chromium, Vanadium Nickel along with lower Carbon than conventional spring steel grades.

Where two spring rates are listed for one part number the spring is progressive.

SPECIFICATIONS - TORSION BARS

TORSION BARS



Part Number	A ± 2.0	B ± 0.15	C +0 -0.2	C Spline No.	D +0 -0.2	D Spline No.
303001	1160	30.4	47.0	46	47.0	46
303002	1210	32.8	47.0	46	47.0	46
303003	1065	23.4	33.0	43	30.75	40
303004	1000	24.5	33.0	43	33.0	43
303005	925	25.7	30.75	40	30.75	40
303006	1365	27.5	30.0	39	30.75	40
303007	890	26.7	30.0	39	30.0	39
303008	1205	26.0	30.0	39	30.0	39
303009	1277.5	25.5	30.0	39	30.75	40
303010	1277.5	27.3	30.0	39	30.75	40
303011	1307.5	27.5	30.0	39	30.75	40
303012	1142	26.0	36.0	47	36.0	47
303013	1024	27.0	30.75	40	30.75	40
303014	1225	30.3	37.85	6 side hex	37.85	6 side hex

All dimensions in millimetres (mm)

1. When remaining stock is exhausted no further product will be available.

SPECIFICATIONS - SHOCK ABSORBERS

BP-51 - SPECS / PRELOAD & DAMPER SETTINGS

Part Number	Open Length (mm)	Closed Length (mm)	Adjuster settings:		Adjuster settings:		Adjuster settings:		Strut Preload: Bar, Winch & Accessories	Strut Preload: Bar Only	Strut Preload: No accessories
			Front: Bar & Winch		Front: Bar Only		Front: No Accessories				
			Rear: 400kg+		Rear: 200kg - 400kg		Rear: 0kg - 200kg				
			Comp	Rebound	Comp	Rebound	Comp	Rebound			
BP5160001L	593mm	373mm	6-10	6-10	4-8	4-8	2-6	2-6	-	-	-
BP5160001R	593mm	373mm	6-10	6-10	4-8	4-8	2-6	2-6	-	-	-
BP5160002	607.5mm	385mm	4-8	6-10	2-6	6-10	0-4	4-8	-	-	-
BP5160003	606mm	388mm	4-8	6-10	2-6	6-10	0-4	4-8	-	-	-
BP5160004L	623mm	392mm	6-10	6-10	3-6	3-6	0-3	0-3	-	-	-
BP5160004R	623mm	392mm	6-10	6-10	3-6	3-6	0-3	0-3	-	-	-
BP5160005	484mm	300mm	6-8	7-9	5-7	6-8	0-4	4-8	-	-	-
BP5160006	651mm	405mm	6-10	6-10	3-6	3-6	0-3	0-3	-	-	-
BP5160007	544mm	330mm	6-8	7-9	5-7	6-8	0-4	4-8	-	-	-
BP5160008	711mm	435mm	6-10	6-10	3-6	3-6	0-3	0-3	-	-	-
BP5160009	516mm	319mm	4-8	6-10	2-6	5-9	0-4	4-8	-	-	-
BP5160010	645mm	400mm	4-8	6-10	2-6	2-6	0-4	0-4	-	-	-
BP5160011L	625mm	390mm	4-8	6-10	2-6	6-10	0-4	4-8	-	-	-
BP5160011R	625mm	390mm	4-8	6-10	2-6	6-10	0-4	4-8	-	-	-
BP5160012	606mm	364mm	4-8	6-10	2-6	5-9	0-4	4-8	-	-	-
BP5160013	611mm	388mm	4-8	6-10	2-6	4-8	4-8	6-10	-	-	-
BP5160014	656mm	389mm	4-8	6-10	2-6	5-9	0-4	4-8	-	-	-
BP5160015	661mm	413mm	4-8	6-10	2-6	4-8	4-8	6-10	-	-	-
BP5160016	558mm	362mm	6-10	6-10	3-6	3-6	0-3	0-3	-	-	-
BP5160017	685mm	420mm	4-8	6-10	2-6	2-6	0-4	0-4	-	-	-
BP5160018L	645mm	400mm	4-8	6-10	2-6	0-6	0-4	0-4	-	-	-
BP5160018R	645mm	400mm	4-8	6-10	2-6	0-6	0-4	0-4	-	-	-
BP5160019	554mm	358mm	4-8	6-10	2-6	2-6	0-4	0-4	-	-	-
BP5160020L	651mm	405mm	4-8	6-10	2-6	6-10	0-4	4-8	-	-	-
BP5160020R	651mm	405mm	4-8	6-10	2-6	6-10	0-4	4-8	-	-	-
BP5160021	628mm	395mm	4-8	4-8	2-6	2-6	0-4	0-4	-	-	-
BP5160022	678mm	420mm	4-8	4-8	2-6	2-6	0-4	0-4	-	-	-
BP5160023	686mm	428mm	4-8	6-10	2-6	4-8	0-4	2-6	-	-	-
BP5160024L	593mm	373mm	6-10	6-10	4-8	4-8	2-6	2-6	-	-	-
BP5160024R	593mm	373mm	6-10	6-10	4-8	4-8	2-6	2-6	-	-	-
BP5160025	607.5mm	385mm	4-8	6-10	2-6	6-10	0-4	4-8	-	-	-
BP5160026	606mm	388mm	4-8	6-10	2-6	6-10	0-4	4-8	-	-	-
BP5160027L	623mm	392mm	6-10	6-10	3-6	3-6	0-3	0-3	-	-	-
BP5160027R	623mm	392mm	6-10	6-10	3-6	3-6	0-3	0-3	-	-	-
BP5160028	645mm	400mm	4-8	6-10	2-6	2-6	0-4	0-4	-	-	-
BP5160029	685mm	420mm	4-8	6-10	2-6	2-6	0-4	0-4	-	-	-
BP5160030	686mm	428mm	4-8	6-10	2-6	4-8	0-4	2-6	-	-	-
BP5160031	578mm	370mm	4-8	4-8	2-6	2-6	0-4	0-4	-	-	-
BP5160032	616mm	393mm	4-8	6-10	2-6	4-8	0-4	2-6	-	-	-
BP5160033	649mm	416mm	4-8	6-10	2-6	5-9	0-4	4-8	-	-	-
BP5160034L	686mm	428mm	4-8	6-10	2-6	4-8	0-4	2-6	-	-	-
BP5160034R	686mm	428mm	4-8	6-10	2-6	4-8	0-4	2-6	-	-	-
BP5160035	606mm	364mm	4-8	6-10	2-6	5-9	0-4	4-8	-	-	-
BP5160036	600mm	364mm	4-8	6-10	2-6	4-8	0-4	0-4	-	-	-
BP5160037L	623mm	392mm	6-10	6-10	3-6	3-6	0-3	0-3	-	-	-
BP5160037R	623mm	392mm	6-10	6-10	3-6	3-6	0-3	0-3	-	-	-
BP5160038	484mm	300mm	6-8	7-9	5-7	6-8	0-4	4-8	-	-	-
BP5160039	651mm	405mm	6-10	6-10	3-6	3-6	0-3	0-3	-	-	-
BP5160040	544mm	330mm	6-8	7-9	5-7	6-8	0-4	4-8	-	-	-
BP5160041	711mm	435mm	6-10	6-10	3-6	3-6	0-3	0-3	-	-	-
BP5160042	516mm	319mm	4-8	6-10	2-6	5-9	0-4	4-8	-	-	-
BP5160043	606mm	364mm	4-8	6-10	2-6	5-9	0-4	4-8	-	-	-
BP5160044	656mm	389mm	4-8	6-10	2-6	5-9	0-4	4-8	-	-	-
BP5160045	606mm	364mm	4-8	6-10	2-6	5-9	0-4	4-8	-	-	-
BP5160048	558mm	362mm	6-10	6-10	3-6	3-6	0-3	0-3	-	-	-
BP5160049L	631mm	400mm	6-10	6-10	3-6	3-6	0-3	0-3	-	-	-

Note: BP-51 Parts Matrix available on ARB Online under resources tab

SPECIFICATIONS - SHOCK ABSORBERS

BP-51 - SPECS / PRELOAD & DAMPER SETTINGS

Part Number	Open Length (mm)	Closed Length (mm)	Adjuster settings:		Adjuster settings:		Adjuster settings:		Strut Preload: Bar, Winch & Accessories	Strut Preload: Bar Only	Strut Preload: No accessories		
			Front: Bar & Winch		Front: Bar Only		Front: No Accessories						
			Rear: 400kg+		Rear: 200-400kg		Rear: 0-200kg		D=DIESEL / P=PETROL in mm				
			Comp	Rebound	Comp	Rebound	Comp	Rebound					
BP5160049R	631mm	400mm	6-10	6-10	3-6	3-6	0-3	0-3	-	-	-		
BP5160050	618mm	393mm	6-10	6-10	3-6	3-6	0-3	0-3	-	-	-		
BP5160051L	645mm	400mm	4-8	6-10	2-6	0-6	0-4	0-4	-	-	-		
BP5160051R	645mm	400mm	4-8	6-10	2-6	0-6	0-4	0-4	-	-	-		
BP5160052	685mm	420mm	4-8	6-10	2-6	2-6	0-4	0-4	-	-	-		
BP5160053	606mm	388mm	4-8	6-10	2-6	6-10	0-4	4-8	-	-	-		
BP5160055L	663mm	413mm	6-10	6-10	3-6	3-6	0-3	0-3	-	-	-		
BP5160055R	663mm	413mm	6-10	6-10	3-6	3-6	0-3	0-3	-	-	-		
BP5160056	609mm	391mm	6-10	6-10	3-6	3-6	0-3	0-3	-	-	-		
BP5160057	645mm	400mm	4-8	6-10	2-6	2-6	0-4	0-4	-	-	-		
BP5160058	554mm	358mm	4-8	6-10	2-6	2-6	-	-	-	-	-		
BP5160061	664mm	416mm	7-10	6-10	3-7	4-8	0-4	2-6	-	-	-		
BP5160062	664mm	416mm	7-10	6-10	5-8	6-10	-	-	-	-	-		
BP5160064L	583mm	399mm	6-10	6-10	3-6	3-6	0-3	0-3	-	-	-		
BP5160064R	583mm	399mm	6-10	6-10	3-6	3-6	0-3	0-3	-	-	-		
BP5160068	651mm		4-8	6-10	2-6	6-10	0-4	4-8	-	-	-		
BP5190001L	545mm	439mm	4-8	6-10	2-6	5-9	0-4	4-8	D-20 P-15	D-15 P-10	D-10 P-5		
BP5190001R	545mm	439mm	4-8	6-10	2-6	5-9	0-4	4-8	D-20 P-15	D-15 P-10	D-10 P-5		
BP5190002L	545mm	439mm	4-8	6-10	2-6	5-9	0-4	4-8	20	15	10		
BP5190002R	545mm	439mm	4-8	6-10	2-6	5-9	0-4	4-8	20	15	10		
BP5190003L	605mm	449mm	4-8	7-10	2-6	6-10	0-4	6-10	D-20 P-10	D-15 P-5	D-10 P-0		
BP5190003R	605mm	449mm	4-8	7-10	2-6	6-10	0-4	6-10	D-20 P-10	D-15 P-5	D-10 P-0		
BP5190004L	545mm	439mm	4-8	6-10	2-6	5-9	0-4	4-8	20	15	10		
BP5190004R	545mm	439mm	4-8	6-10	2-6	5-9	0-4	4-8	20	15	10		
BP5190005L	505mm	339mm	4-8	6-10	2-6	5-9	0-4	4-8	25	20	15		
BP5190005R	505mm	339mm	4-8	6-10	2-6	5-9	0-4	4-8	25	20	15		
BP5190006L	545mm	439mm	4-8	6-10	2-6	5-9	0-4	4-8	20	15	10		
BP5190006R	545mm	439mm	4-8	6-10	2-6	5-9	0-4	4-8	20	15	10		
BP5190007L	540mm	439mm	4-8	6-10	2-6	5-9	0-4	4-8	D-20 P-15	D-15 P-10	D-10 P-5		
BP5190007R	540mm	439mm	4-8	6-10	2-6	5-9	0-4	4-8	D-20 P-15	D-15 P-10	D-10 P-5		
BP5190008L	470mm	339mm	4-8	7-10	4-8	6-10	2-6	4-8	20	15	5		
BP5190008R	470mm	339mm	4-8	7-10	4-8	6-10	2-6	4-8	20	15	5		
BP5190009L	516.5mm	411mm	4-8	6-10	2-6	5-9	0-4	4-8	25-20	15	5		
BP5190009R	516.5mm	411mm	4-8	6-10	2-6	5-9	0-4	4-8	25-20	15	5		
BP5190010L	625mm	397.5mm	4-8	7-10	2-6	6-10	0-4	6-10	25	20	10		
BP5190010R	625mm	397.5mm	4-8	7-10	2-6	6-10	0-4	6-10	25	20	10		
BP5190011L	509mm	403mm	4-8	6-10	2-6	5-9	0-4	4-8	25-20	15	10		
BP5190011R	509mm	403mm	4-8	6-10	2-6	5-9	0-4	4-8	25-20	15	10		
BP5190012L	498mm	392mm	4-8	6-10	2-6	5-9	0-4	4-8	25-20	15	5		
BP5190012R	498mm	392mm	4-8	6-10	2-6	5-9	0-4	4-8	25-20	15	5		
BP5190013L	503mm	402mm	4-8	6-10	2-6	5-9	0-4	4-8	15	10-5	5-0		
BP5190013R	503mm	402mm	4-8	6-10	2-6	5-9	0-4	4-8	15	10-5	5-0		
BP5190014L	521mm	415mm	4-8	6-10	2-6	5-9	0-4	4-8	20-15	10	5		
BP5190014R	521mm	415mm	4-8	6-10	2-6	5-9	0-4	4-8	20-15	10	5		
BP5190015L	569mm	437mm	4-8	6-10	2-6	5-9	0-4	4-8	20-25	15	5		
BP5190015R	569mm	437mm	4-8	6-10	2-6	5-9	0-4	4-8	20-25	15	5		
BP5190016L	429.5mm	334mm	4-8	6-10	2-6	5-9	0-4	4-8	20-10	10-5	5-0		
BP5190016R	429.5mm	334mm	4-8	6-10	2-6	5-9	0-4	4-8	20-10	10-5	5-0		
BP5190019L	615mm	469mm	0-6	4-7	2-8	6-10	5-10	7-10	D-25 P-20	D-15 P-10	D-5 P-0		
BP5190019R	615mm	469mm	0-6	4-7	2-8	6-10	5-10	7-10	D-25 P-20	D-15 P-10	D-5 P-0		
BP5190022L	615mm	469mm	0-6	4-7	2-8	6-10	5-10	7-10	D-25 P-20	D-15 P-10	D-5 P-0		
BP5190022R	615mm	469mm	0-6	4-7	2-8	6-10	5-10	7-10	D-25 P-20	D-15 P-10	D-5 P-0		
BP5190026L	546mm	409mm	4-8	7-10	2-6	6-10	0-4	6-10	25	20	10		
BP5190026R	546mm	409mm	4-8	7-10	2-6	6-10	0-4	6-10	25	20	10		

Note: BP-51 Parts Matrix available on ARB Online under resources tab

SPECIFICATIONS - SHOCK ABSORBERS

BP-51 - SPARE PARTS

Part Number	Upper Mount Replacement Kit	Lower Mount Replacement Kit	Stone Guard	Stone Guard Mounting Kit	Damper Mounting Kit	Valve Cap
BP5160001L	VM50010014SP	VM50010015SP	VD31020240SP	VD31000003SP	VM80010002	VD30020003SP
BP5160001R	VM50010014SP	VM50010015SP	VD31010240SP	VD31000003SP	VM80010002	VD30020003SP
BP5160002	VM50010005SP	VM50010016SP	VD31010240SP	VD31000003SP	VM80010010	VD30020003SP
BP5160003	VM50010006SP	VM50010016SP	VD31010260SP	VD31000003SP	VM80010004/5	VD30020003SP
BP5160004L	VM50010017SP	VM50010010SP	VD31020260SP	VD31000003SP	VM80010012	VD30020003SP
BP5160004R	VM50010017SP	VM50010010SP	VD31010260SP	VD31000003SP	VM80010012	VD30020003SP
BP5160005	VM50010011SP	VM50010011SP	-	-	VM80010022	VD30020003SP
BP5160006	VM50010018SP	VM50010019SP	VD31020260SP	VD31000003SP	VM80010023	VD30020003SP
BP5160007	VM50010011SP	VM50010011SP	-	-	VM80010022	VD30020003SP
BP5160008	VM50010018SP	VM50010019SP	VD31020280SP	VD31000003SP	VM80010023	VD30020003SP
BP5160009	VM50010005SP	VM50010005SP	-	-	VM80010006	VD30020003SP
BP5160010	VM50010020SP	VM50010015SP	VD31020260SP	VD31000003SP	VM80010007	VD30020003SP
BP5160011L	VM50010005SP	VM50010010SP	VD31020260SP	VD31000003SP	VM80010017	VD30020003SP
BP5160011R	VM50010005SP	VM50010010SP	VD31010260SP	VD31000003SP	VM80010017	VD30020003SP
BP5160012	VM50010005SP	VM50010005SP	-	-	VM80010025	VD30020003SP
BP5160013	VM50010005SP	VM50010021SP	VD31010240SP	VD31000003SP	VM80010026	VD30020003SP
BP5160014	VM50010005SP	VM50010005SP	-	-	VM80010025	VD30020003SP
BP5160015	VM50010005SP	VM50010021SP	VD31010260SP	VD31000003SP	VM80010026	VD30020003SP
BP5160016	VD50020002SP	VD50020002SP	VD31020220SP	VD31000003SP	VM80010031	VD30020003SP
BP5160017	VM50010020SP	VM50010015SP	VD31020280SP	VD31000003SP	VM80010007	VD30020003SP
BP5160018L	VM50010014SP	VM50010022SP	VD31020260SP	VD31000003SP	VM80010019	VD30020003SP
BP5160018R	VM50010014SP	VM50010022SP	VD31010260SP	VD31000003SP	VM80010019	VD30020003SP
BP5160019	VM50010012SP	VM50010013SP	VD31020220SP	VD31000003SP	VM80010021	VD30020003SP
BP5160020L	VM50010006SP	VM50010010SP	VD31010260SP	VD31000003SP	VM80010035	VD30020003SP
BP5160020R	VM50010006SP	VM50010010SP	VD31020260SP	VD31000003SP	VM80010035	VD30020003SP
BP5160021	VM50010008SP	VM50010010SP	-	-	VM80010014	VD30020003SP
BP5160022	VM50010008SP	VM50010010SP	-	-	VM80010014	VD30020003SP
BP5160023	VM50010009SP	VM50010010SP	VD31030280SP	VD31000004SP/ 5SP	VM80010015	VD30020003SP
BP5160024L	VM50010014SP	VM50010015SP	VD31020240SP	VD31000003SP	VM80010002	VD30020003SP
BP5160024R	VM50010014SP	VM50010015SP	VD31010240SP	VD31000003SP	VM80010002	VD30020003SP
BP5160025	VM50010005SP	VM50010016SP	VD31010240SP	VD31000003SP	VM80010010	VD30020003SP
BP5160026	VM50010006SP	VM50010016SP	VD31010260SP	VD31000003SP	VM80010004/5	VD30020003SP
BP5160027L	VM50010017SP	VM50010010SP	VD31020260SP	VD31000003SP	VM80010012	VD30020003SP
BP5160027R	VM50010017SP	VM50010010SP	VD31010260SP	VD31000003SP	VM80010012	VD30020003SP
BP5160028	VM50010020SP	VM50010015SP	VD31020260SP	VD31000003SP	VM80010007	VD30020003SP
BP5160029	VM50010020SP	VM50010015SP	VD31020280SP	VD31000003SP	VM80010007	VD30020003SP
BP5160030	VM50010009SP	VM50010010SP	VD31030280SP	VD31000004SP/ 5SP	VM80010015	VD30020003SP
BP5160031	VM50010008SP	VM50010010SP	-	-	VM80010014	VD30020003SP
BP5160032	VM50010009SP	VM50010010SP	VD31030240SP	VD31000004SP/ 5SP	VM80010024	VD30020003SP
BP5160033	VM50010025SP	VM50010010SP	-	-	VM80010038	VD30020003SP
BP5160034L	VM50010025SP	VM50010010SP	VD31020280SP	VD31000005SP	VM80010039	VD30020003SP
BP5160034R	VM50010025SP	VM50010010SP	VD31020280SP	VD31000004SP	VM80010039	VD30020003SP
BP5160035	VM50010005SP	VM50010023SP	-	-	VM80010036	VD30020003SP
BP5160036	VM50010005SP	VM50010024SP	VD31010260SP	VD31000003SP	VM80010037	VD30020003SP
BP5160037L	VM50010017SP	VM50010010SP	VD31020260SP	VD31000003SP	VM80010012	VD30020003SP
BP5160037R	VM50010017SP	VM50010010SP	VD31020260SP	VD31000003SP	VM80010012	VD30020003SP
BP5160038	VM50010011SP	VM50010011SP	-	-	VM80010022	VD30020003SP
BP5160039	VM50010018SP	VM50010019SP	VD31020260SP	VD31000003SP	VM80010041	VD30020003SP
BP5160040	VM50010011SP	VM50010011SP	-	-	VM80010022	VD30020003SP
BP5160041	VM50010018SP	VM50010019SP	VD31020280SP	VD31000003SP	VM80010041	VD30020003SP
BP5160042	VM50010005SP	VM50010005SP	-	-	VM80010006	VD30020003SP
BP5160043	VM50010005SP	VM50010005SP	-	-	VM80010025	VD30020003SP
BP5160044	VM50010005SP	VM50010005SP	-	-	VM80010025	VD30020003SP
BP5160045	VM50010005SP	VM50010023SP	-	-	VM80010036	VD30020003SP
BP5160048	VD50020002SP	VD50020002SP	VD31020220SP	VD31000003SP	VM80010031	VD30020003SP

Note: BP-51 Parts Matrix available on ARB Online under resources tab

SPECIFICATIONS - SHOCK ABSORBERS

BP-51 - SPARE PARTS

BP-51	Upper Mount Replacement Kit	Lower Mount Replacement Kit	Stone Guard	Stone Guard Mounting Kit	Damper Mounting Kit	Valve Cap
BP5160049L	VM50010010SP	VM50010010SP	VD31020260SP	VD31000003SP	VM80010042	VD30020003SP
BP5160049R	VM50010010SP	VM50010010SP	VD31010260SP	VD31000003SP	VM80010042	VD30020003SP
BP5160050	VD50020002SP	VD50020002SP	VD31020240SP	VD31000003SP	VM80010045	VD30020003SP
BP5160051L	VD50010032SP	VD50010045SP	VD31020260SP	VD31000003SP	VM90010019	VD30020003SP
BP5160051R	VD50010032SP	VD50010045SP	VD31010260SP	VD31000003SP	VM90010019	VD30020003SP
BP5160052	VD50010032SP	VD50010045SP	VD31020280SP	VD31000003SP	VM80010007	VD30020003SP
BP5160053	VM50010006SP	VD50010045SP	VD31010240SP	VD31000003SP	VM80010005	VD30020003SP
BP5160055L	VD50050017SP	VD50050017SP	VD31020260SP	VD31000003SP	VM80010052	VD30020003SP
BP5160055R	VM50010030SP	VM50010030SP	VD31020260SP	VD31000003SP	VM80010052	VD30020003SP
BP5160056	VD50010035SP	VD50010036SP	VD31010240SP	VD31000003SP	VM80010048	VD30020003SP
BP5160057	VD50010032SP	VD50010045SP	VD31020260SP	VD31000003SP	VM80010007	VD30020003SP
BP5160058	VM50010012SP	VD50010045SP	VD31020220SP	VD31000003SP	VM80010021	VD30020003SP
BP5160061	VM50010006SP	VD50010045SP	VD31010260SP	VD31000003SP	VM80010055	VD30020003SP
BP5160062	VM50010006SP	VD50010045SP	VD31010260SP	VD31000003SP	VM80010055	VD30020003SP
BP5160064L	VD50050003SP	VD50050003SP	VD31010240SP	VD31000003SP	VM80010064	VD30020003SP
BP5160064R	VD50050003SP	VD50050003SP	VD31010240SP	VD31000003SP	VM80010064	VD30020003SP
BP5160068	VM50010006SP	VD50010045SP	VD31010240SP	VD31000003SP	VM80010072	VD30020003SP
BP5190001L	VD10010019SP	VD10010019SP	-	-	VM80010001	VD30020003SP
BP5190001R	VD10010019SP	VD10010019SP	-	-	VM80010001	VD30020003SP
BP5190002L	VD10010019SP	VD10010019SP	-	-	VM80010008/ 9	VD30020003SP
BP5190002R	VD10010019SP	VD10010019SP	-	-	VM80010008/ 9	VD30020003SP
BP5190003L	VD10010019SP	VD10010019SP	-	-	VM80010003	VD30020003SP
BP5190003R	VD10010019SP	VD10010019SP	-	-	VM80010003	VD30020003SP
BP5190004L	VD10010019SP	VD10010019SP	-	-	VM80010009	VD30020003SP
BP5190004R	VD10010019SP	VD10010019SP	-	-	VM80010009	VD30020003SP
BP5190005L	VD10010019SP	VD10010019SP	-	-	VM80010011	VD30020003SP
BP5190005R	VD10010019SP	VD10010019SP	-	-	VM80010011	VD30020003SP
BP5190006L	VD10010019SP	VD10010019SP	-	-	VM80010016	VD30020003SP
BP5190006R	VD10010019SP	VD10010019SP	-	-	VM80010016	VD30020003SP
BP5190007L	VD10010019SP	VD10010019SP	-	-	VM80010018	VD30020003SP
BP5190007R	VD10010019SP	VD10010019SP	-	-	VM80010018	VD30020003SP
BP5190008L	VD10010019SP	VD10010019SP	-	-	VM80010020	VD30020003SP
BP5190008R	VD10010019SP	VD10010019SP	-	-	VM80010020	VD30020003SP
BP5190009L	VD10010019SP	VD10010019SP	-	-	VM80010030	VD30020003SP
BP5190009R	VD10010019SP	VD10010019SP	-	-	VM80010030	VD30020003SP
BP5190010L	VD10010019SP	VD10010022SP	-	-	VM80010034	VD30020003SP
BP5190010R	VD10010019SP	VD10010022SP	-	-	VM80010034	VD30020003SP
BP5190011L	VD10010019SP	VD10010022SP	-	-	VM80010027	VD30020003SP
BP5190011R	VD10010019SP	VD10010022SP	-	-	VM80010027	VD30020003SP
BP5190012L	VD10010019SP	VD10010022SP	-	-	VM80010040	VD30020003SP
BP5190012R	VD10010019SP	VD10010022SP	-	-	VM80010040	VD30020003SP
BP5190013L	VD10010019SP	VD10010022SP	-	-	VM80010043	VD30020003SP
BP5190013R	VD10010019SP	VD10010022SP	-	-	VM80010043	VD30020003SP
BP5190014L	VD10010019SP	VD10010019SP	-	-	VM80010044	VD30020003SP
BP5190014R	VD10010019SP	VD10010019SP	-	-	VM80010044	VD30020003SP
BP5190015L	VD10010019SP	VD10010022SP	-	-	VM80010053	VD30020003SP
BP5190015R	VD10010019SP	VD10010022SP	-	-	VM80010053	VD30020003SP
BP5190016L	VD10010019SP	VD10010019SP	-	-	VM80010047	VD30020003SP
BP5190016R	VD10010019SP	VD10010019SP	-	-	VM80010047	VD30020003SP
BP5190019L	VD10010019SP	VD10010025SP	-	-	VM80010054	VD30020003SP
BP5190019R	VD10010019SP	VD10010025SP	-	-	VM80010054	VD30020003SP
BP5190022L	VD10010019SP	VD10010025SP	-	-	VM80010066	VD30020003SP
BP5190022R	VD10010019SP	VD10010025SP	-	-	VM80010066	VD30020003SP
BP5190026L	VD10010019SP	VD50050016SP	-	-	VM80010071	VD30020003SP
BP5190026R	VD10010019SP	VD50050016SP	-	-	VM80010071	VD30020003SP

Note: BP-51 Parts Matrix available on ARB Online under resources tab

SPECIFICATIONS - SHOCK ABSORBERS

MT-64

Part Number	Open Length (mm)	Closed Length (mm)	Type Upper	UPPER MOUNT BUSH KIT	Type Lower	LOWER MOUNT BUSH KIT	Shaft Guard Replacement (inc.clips)	Fitting Kit
MT64601001L	624	406	EYE	VD50010032SP	EYE	VD50010045SP	VD31020240SP	VM80010059SP
MT64601001R	624	406	EYE	VD50010032SP	EYE	VD50010045SP	VD31010240SP	VM80010059SP
MT64601002L	629	411	EYE	VD50010032SP	EYE	VD50010045SP	VD31020240SP	VM80010059SP
MT64601002R	629	411	EYE	VD50010032SP	EYE	VD50010045SP	VD31010240SP	VM80010059SP
MT64601003	515	326	PIN	VM50010005SP	PIN	VM50010005SP	N/A	N/A
MT64601005	619	401	EYE	VD50010032SP	EYE	VD50010045SP	VD31020240SP	VM80010060SP
MT64601006	619	401	EYE	VD50010032SP	EYE	VD50010045SP	VD31020240SP	VM80010060SP
MT64601008	664	421	EYE	VD50010032SP	EYE	VD50010045SP	VD31020280SP	VM80010060SP
MT64601009	598	390	PIN	VM50010005SP	EYE	VD50010045SP	VD31010260SP	VM80010057SP
MT64601010	598	390	PIN	VM50010005SP	EYE	VD50010045SP	VD31010260SP	VM80010057SP
MT64601011	598	390	PIN	VM50010005SP	EYE	VD50010045SP	VD31010260SP	VM80010057SP
MT64601013L	600	392	PIN	VM50010005SP	EYE	VD50020001SP	VD31020240SP	VM80010069SP
MT64601013R	600	392	PIN	VM50010005SP	EYE	VD50020001SP	VD31010240SP	VM80010069SP
MT64601014L	600	392	PIN	VM50010038SP	EYE	VD50020001SP	VD31020240SP	VM80010069SP
MT64601014R	600	392	PIN	VM50010038SP	EYE	VD50020001SP	VD31010240SP	VM80010069SP
MT64601015L	714	470	PIN	VM50010005SP	EYE	VD50010045SP	VD31010260SP	VM80010081SP
MT64601015R	714	470	PIN	VM50010005SP	EYE	VD50010045SP	VD31020260SP	VM80010081SP
MT64601016L	714	470	PIN	VM50010005SP	EYE	VD50010045SP	VD31010260SP	VM80010081SP
MT64601016R	714	470	PIN	VM50010005SP	EYE	VD50010045SP	VD31020260SP	VM80010081SP
MT64601017	598	389	PIN	VM50010006SP	EYE	VD50010045SP	VD31010260SP	VM80010057SP
MT64601018	598	389	PIN	VM50010006SP	EYE	VD50010045SP	VD31010260SP	VM80010057SP
MT64601019	661	416	PIN	VM50010006SP	EYE	VD50010045SP	VD31010260SP	VM80010057SP
MT64601020	661	416	PIN	VM50010006SP	EYE	VD50010045SP	VD31010260SP	VM80010057SP
MT64601031	673	429	PIN	VM50010006SP	EYE	VD50010045SP	VD31010260SP	VM80010057SP
MT64602003L	647	419	EYE	VD50020002SP	EYE	VD50020002SP	VD31020240SP	N/A
MT64602003R	647	419	EYE	VD50020001SP	EYE	VD50020001SP	VD31010240SP	N/A
MT64602004L	647	419	EYE	VD50020002SP	EYE	VD50020002SP	VD31020240SP	N/A
MT64602004R	647	419	EYE	VD50020002SP	EYE	VD50020002SP	VD31010240SP	N/A
MT64602005L	761	472	EYE	VD50050017SP	EYE	VD50050017SP	VD31020300SP	VM80010083SP
MT64602005R	761	472	EYE	VD50050017SP	EYE	VD50050017SP	VD31010300SP	VM80010083SP
MT64602007	585	401	EYE	VD50050003SP	EYE	VD50050003SP	VD31010260SP	VM80010065SP
MT64602008	585	401	EYE	VD50050003SP	EYE	VD50050003SP	VD31010260SP	VM80010065SP
MT64901001	566	435	PIN	N/A	EYE	VD50050004SP	N/A	VM80010077SP
MT64901005	616	445	PIN	N/A	EYE	VD50050011SP	N/A	VM80010074SP
MT64901006	616	445	PIN	N/A	EYE	VD50050011SP	N/A	VM80010074SP
MT64901007	566	435	PIN	N/A	EYE	VD50050004SP	N/A	VM80010077SP
MT64901017	627	460	PIN	N/A	EYE	VD50050013SP	N/A	VM80010075SP
MT64901018	627	460	PIN	N/A	EYE	VD50050013SP	N/A	VM80010075SP
MT64901019	620	458	PIN	N/A	EYE	VD50050001SP	N/A	VM80010075SP
MT64901020	620	458	PIN	N/A	EYE	VD50050001SP	N/A	N/A
MT64901021	552	415	PIN	N/A	EYE	VD50050016SP	N/A	VM80010075SP
MT64902001	550	385	PIN	N/A	EYE	VD50050009SP	N/A	VM80010068SP
MT64902002	550	384	PIN	N/A	EYE	VD50050009SP	N/A	VM80010068SP
MT64902003	565	410	PIN	N/A	EYE	VD50050009SP	N/A	VM80010068SP
MT64902005	551	385	PIN	N/A	EYE	VD50050009SP	N/A	VM80010068SP
MT64902006	551	385	PIN	N/A	EYE	VD50050009SP	N/A	VM80010068SP

SPECIFICATIONS - SHOCK ABSORBERS

NITROCHARGER PLUS

Part Number	Open Length (mm)	Closed Length (mm)	Upper Mount Kit	Lower Mount Kit	Dirt Shield	Spring Seat	Spring Seat Spacer Kit / Snap Ring	Mount Type		Other SMP Kit
								Top	Bottom	
63000	445	301	NPSMP001	NPSMP044	NPDS015	#N/A	#N/A	Pin	Eye	N/A
63001	445	301	NPSMP001	NPSMP044	NPDS015	#N/A	#N/A	Pin	Eye	N/A
63002	615	371	NPSMP001	NPSMP045	NPDS017	#N/A	#N/A	Pin	Eye	N/A
63003	615	371	NPSMP001	NPSMP045	NPDS017	#N/A	#N/A	Pin	Eye	N/A
63004	579	355	NPSMP002	NPSMP045	NPDS004	#N/A	#N/A	Pin	Eye	N/A
63005	579	355	NPSMP002	NPSMP045	NPDS004	#N/A	#N/A	Pin	Eye	N/A
63006	597	369	NPSMP003 (1 kit req)		NPDS017	#N/A	#N/A	Eye	Eye	N/A
63007	597	369	NPSMP003 (1 kit req)		NPDS017	#N/A	#N/A	Eye	Eye	N/A
63008	525	320	NPSMP002	NPSMP002	NPDS004	#N/A	#N/A	Pin	Pin	N/A
63009	577	348	NPSMP004	NPSMP005	NPDS004	#N/A	#N/A	Pin	Eye	N/A
63010	652	402	NPSMP005	NPSMP005	NPDS004	#N/A	#N/A	Eye	Eye	N/A
63011	652	402	NPSMP005	NPSMP005	NPDS004	#N/A	#N/A	Eye	Eye	N/A
63012	497	302	NPSMP006	NPSMP006	NPDS015	#N/A	#N/A	Pin	Pin	N/A
63013	497	302	NPSMP006	NPSMP006	NPDS015	#N/A	#N/A	Pin	Pin	N/A
63013L	552	328	NPSMP006	NPSMP006	NPDS013	#N/A	#N/A	Pin	Pin	N/A
63014	654	399	NPSMP005	NPSMP015	NPDS004	#N/A	#N/A	Eye	Eye	N/A
63015	654	399	NPSMP005	NPSMP015	NPDS004	#N/A	#N/A	Eye	Eye	N/A
63015L	714	429	NPSMP005	NPSMP015	NPDS004	#N/A	#N/A	Eye	Eye	N/A
63016	368	258	NPSMP007	NPSMP007	NPDS006	#N/A	#N/A	Eye	Eye	N/A
63017	556	347	NPSMP008	NPSMP046	NPDS004	#N/A	#N/A	Eye	Eye	N/A
63018	616	356	NPSMP002	NPSMP002	NPDS004	#N/A	#N/A	Pin	Pin	N/A
63018L	665	390	NPSMP002	NPSMP002	NPDS017	#N/A	#N/A	Pin	Pin	N/A
63019	570	348	NPSMP009	NPSMP007	NPDS007	#N/A	#N/A	Pin	Eye	N/A
63020	624	377	NPSMP002	NPSMP005	NPDS004	#N/A	#N/A	Pin	Eye	N/A
63020L	671	397	NPSMP002	NPSMP005	NPDS017	#N/A	#N/A	Pin	Eye	N/A
63021	317	219	NPSMP004	NPSMP032	NPDS008	#N/A	#N/A	Pin	Eye	N/A
63022	357	236	NPSMP004	NPSMP022	NPDS006	#N/A	#N/A	Pin	Eye	N/A
63023	617	376	NPSMP010	NPSMP022	NPDS004	#N/A	#N/A	Eye	Eye	N/A
63024	585	365	NPSMP011	NPSMP047	NPDS004	#N/A	#N/A	Eye	Eye	N/A
63024L	624	385	NPSMP011	NPSMP047	NPDS004	#N/A	#N/A	Eye	Eye	N/A
63025	584	365	NPSMP011	NPSMP011	NPDS004	#N/A	#N/A	Eye	Eye	N/A
63025L	624	385	NPSMP012	NPSMP012	NPDS004	#N/A	#N/A	Eye	Eye	N/A
63026	584	365	NPSMP011	NPSMP011	NPDS004	#N/A	#N/A	Eye	Eye	N/A
63027	532	328	NPSMP004	NPSMP005	NPDS004	#N/A	#N/A	Pin	Eye	N/A
63028	532	328	NPSMP004	NPSMP005	NPDS004	#N/A	#N/A	Pin	Eye	N/A
63029	615	371	NPSMP001	NPSMP045	NPDS004	#N/A	#N/A	Pin	Eye	N/A
63030	615	371	NPSMP001	NPSMP045	NPDS004	#N/A	#N/A	Pin	Eye	N/A
63031	374	247	NPSMP004	NPSMP032	NPDS008	#N/A	#N/A	Pin	Eye	N/A
63032	591	362	NPSMP013	NPSMP013	NPDS009	#N/A	#N/A	Eye	Eye	N/A
63033	368	258	NPSMP007	NPSMP007	NPDS006	#N/A	#N/A	Pin	Eye	N/A
63034	297	209	NPSMP004	NPSMP032	NPDS010	#N/A	#N/A	Pin	Eye	N/A
63035	556	348	NPSMP013	NPSMP013	NPDS011	#N/A	#N/A	Eye	Eye	NPSMP018
63036	557	349	NPSMP013	NPSMP013	NPDS011	#N/A	#N/A	Eye	Eye	NPSMP018
63037	553	329	NPSMP014	NPSMP014	NPDS004	#N/A	#N/A	Pin	Pin	N/A
63037L	593	349	NPSMP014	NPSMP014	NPDS004	#N/A	#N/A	Pin	Pin	N/A
63038	558	344	NPSMP015	NPSMP014	NPDS004	#N/A	#N/A	Eye	Pin	N/A
63039	558	344	NPSMP015	NPSMP014	NPDS004	#N/A	#N/A	Eye	Pin	N/A
63039L	598	364	NPSMP015	NPSMP014	NPDS004	#N/A	#N/A	Eye	Pin	N/A
63040	337	230	NPSMP004	NPSMP032	NPDS008	#N/A	#N/A	Pin	Eye	N/A
63041	467	297	NPSMP004	NPSMP048	NPDS013	#N/A	#N/A	Pin	Eye	N/A
63042	337	228	NPSMP004	NPSMP048	NPDS006	#N/A	#N/A	Pin	Eye	N/A
63043	648	399	NPSMP005	NPSMP005	NPDS004	#N/A	#N/A	Eye	Eye	N/A
63044	628	389	NPSMP005	NPSMP005	NPDS004	#N/A	#N/A	Eye	Eye	N/A
63046	562	337	NPSMP016	NPSMP049	NPDS013	#N/A	#N/A	Pin	Eye	N/A
63047	562	337	NPSMP016	NPSMP049	NPDS013	#N/A	#N/A	Pin	Eye	N/A
63047L	672	397	NPSMP016	NPSMP049	NPDS014	#N/A	#N/A	Pin	Eye	N/A
63048	556	343	NPSMP017	NPSMP050	NPDS004	#N/A	#N/A	Eye	Eye	N/A

cont.

SPECIFICATIONS - SHOCK ABSORBERS

NITROCHARGER PLUS

Part Number	Open Length (mm)	Closed Length (mm)	Upper Mount Kit	Lower Mount Kit	Dirt Shield	Spring Seat	Spring Seat Spacer Kit / Snap Ring	SMP Type		Other SMP Kit
								Top/Bottom		
63049	556	343	NPSMP017	NPSMP050	NPDS004	#N/A	#N/A	Eye	Eye	N/A
63049L	616	373	NPSMP017	NPSMP050	NPDS004	#N/A	#N/A	Eye	Eye	N/A
63050	651	397	NPSMP018	NPSMP018	NPDS007	#N/A	#N/A	Eye	Eye	N/A
63051	333	230	NPSMP004	NPSMP051	NPDS008	#N/A	#N/A	Pin	Eye	N/A
63052	562	347	NPSMP016	NPSMP049	NPDS004	#N/A	#N/A	Pin	Eye	N/A
63052L	672	397	NPSMP016	NPSMP049	NPDS014	#N/A	#N/A	Pin	Eye	N/A
63053	556	341	NPSMP017	NPSMP025	NPDS004	#N/A	#N/A	Eye	Eye	N/A
63053L	614	371	NPSMP017	NPSMP025	NPDS004	#N/A	#N/A	Eye	Eye	N/A
63054	632	378	NPSMP005	NPSMP004	NPDS004	#N/A	#N/A	Eye	Pin	N/A
63055	495	300	NPSMP006	NPSMP006	NPDS015	#N/A	#N/A	Pin	Pin	N/A
63056	500	317	NPSMP008	NPSMP048	NPDS015	#N/A	#N/A	Eye	Eye	N/A
63057	548	345	NPSMP013	NPSMP013	NPDS011	#N/A	#N/A	Eye	Eye	N/A
63058	596	372	NPSMP008	NPSMP008	NPDS007	#N/A	#N/A	Eye	Eye	N/A
63059	520	325	NPSMP013	NPSMP048	NPDS015	#N/A	#N/A	Eye	Eye	N/A
63061	479	294	NPSMP004	NPSMP032	NPDS015	#N/A	#N/A	Pin	Eye	N/A
63062	578	359	NPSMP005	NPSMP005	NPDS004	#N/A	#N/A	Eye	Eye	N/A
63063	577	348	NPSMP004	NPSMP005	NPDS004	#N/A	#N/A	Pin	Eye	N/A
63064	591	362	NPSMP013	NPSMP013	NPDS009	#N/A	#N/A	Eye	Eye	N/A
63065	578	359	NPSMP005	NPSMP005	NPDS004	#N/A	#N/A	Eye	Eye	N/A
63066	582	358	NPSMP019	NPSMP022	NPDS017	#N/A	#N/A	Pin	Eye	N/A
63066M	652	388	NPSMP019	NPSMP022	NPDS014	#N/A	#N/A	Pin	Eye	N/A
63066L	702	418	NPSMP019	NPSMP022	NPDS014	#N/A	#N/A	Pin	Eye	N/A
63067	612	371	NPSMP017	NPSMP022	NPDS004	#N/A	#N/A	Eye	Eye	N/A
63067L	706	421	NPSMP017	NPSMP022	NPDS017	#N/A	#N/A	Eye	Eye	N/A
63068	497	308	NPSMP004	NPSMP005	NPDS015	#N/A	#N/A	Pin	Eye	N/A
63069	567	358	NPSMP020	NPSMP052	NPDS007	#N/A	#N/A	Eye	Eye	N/A
63070	616	356	NPSMP002	NPSMP002	NPDS004	#N/A	#N/A	Pin	Pin	N/A
63070L	665	390	NPSMP002	NPSMP002	NPDS017	#N/A	#N/A	Pin	Pin	N/A
63071	624	377	NPSMP002	NPSMP005	NPDS004	#N/A	#N/A	Pin	Eye	N/A
63071L	671	397	NPSMP002	NPSMP005	NPDS017	#N/A	#N/A	Pin	Eye	N/A
63072	377	248	NPSMP004	NPSMP048	NPDS006	#N/A	#N/A	Pin	Eye	N/A
63073	542	329	NPSMP004	NPSMP005	NPDS013	#N/A	#N/A	Pin	Eye	N/A
63074	514	329	NPSMP005	NPSMP005	NPDS015	#N/A	#N/A	Eye	Eye	N/A
63075	520	329	NPSMP048	NPSMP008	NPDS015	#N/A	#N/A	Eye	Eye	N/A
63076	517	325	NPSMP008	NPSMP048	NPDS015	#N/A	#N/A	Eye	Eye	N/A
63077	580	351	NPSMP004	NPSMP053	NPDS004	#N/A	#N/A	Pin	Eye	N/A
63078	580	351	NPSMP004	NPSMP053	NPDS004	#N/A	#N/A	Pin	Eye	N/A
63080	601	367	NPSMP002	NPSMP045	NPDS004	#N/A	#N/A	Pin	Eye	N/A
63081	601	367	NPSMP002	NPSMP045	NPDS004	#N/A	#N/A	Pin	Eye	N/A
63082	594	370	NPSMP022	NPSMP022	NPDS007	#N/A	#N/A	Eye	Eye	N/A
63083	594	370	NPSMP022	NPSMP022	NPDS007	#N/A	#N/A	Eye	Eye	N/A
63086	581	357	NPSMP002	NPSMP045	NPDS017	#N/A	#N/A	Pin	Eye	N/A
63087	539	334	NPSMP016	NPSMP049	NPDS013	#N/A	#N/A	Pin	Eye	N/A
63088	574	354	NPSMP020	NPSMP024	NPDS013	#N/A	#N/A	Eye	Eye	N/A
63089	562	342	NPSMP023	NPSMP004	NPDS013	#N/A	#N/A	Eye	Pin	N/A
63090	502	313	NPSMP005	NPSMP004	NPDS015	#N/A	#N/A	Eye	Pin	N/A
63091	599	354	NPSMP004	NPSMP032	NPDS004	#N/A	#N/A	Pin	Eye	N/A
63092	562	347	NPSMP016	NPSMP049	NPDS004	#N/A	#N/A	Pin	Eye	N/A
63093	559	345	NPSMP024	NPSMP025	NPDS013	#N/A	#N/A	Eye	Eye	N/A
63094	477	292	NPSMP006	NPSMP006	NPDS015	#N/A	#N/A	Pin	Pin	N/A
63095	442	278	NPSMP004	NPSMP005	NPDS015	#N/A	#N/A	Pin	Eye	N/A
63096	534	339	NPSMP005	NPSMP005	NPDS013	#N/A	#N/A	Pin	Eye	N/A
63097	496	312	NPSMP025	NPSMP025	NPDS015	#N/A	#N/A	Eye	Eye	N/A
63098	617	367	NPSMP016	NPSMP050	NPDS004	#N/A	#N/A	Pin	Eye	N/A
63099	501	332	NPSMP026	NPSMP050	NPDS013	#N/A	#N/A	Pin	Eye	N/A
63100	656	392	NPSMP001	NPSMP022	NPDS017	#N/A	#N/A	Pin	Eye	N/A
63101	618	376	NPSMP010	NPSMP022	NPDS017	#N/A	#N/A	Eye	Eye	N/A

cont.

SPECIFICATIONS - SHOCK ABSORBERS

NITROCHARGER PLUS

Part Number	Open Length (mm)	Closed Length (mm)	Upper Mount Kit		Lower Mount Kit	Dirt Shield	Spring Seat	Spring Seat Spacer Kit / Snap Ring	SMP Type Top/Bottom		Other SMP Kit
			Kit	Kit							
63102	618	376	NPSMP010		NPSMP022	NPDS017	#N/A	#N/A	Eye	Eye	N/A
63109	681	422	NPSMP005		NPSMP005	NPDS004	#N/A	#N/A	Eye	Eye	N/A
63110	556	347	NPSMP008		NPSMP046	NPDS004	#N/A	#N/A	Eye	Eye	N/A
63111	658	399	NPSMP005		NPSMP005	NPDS004	#N/A	#N/A	Eye	Eye	N/A
63112	579	355	NPSMP002		NPSMP045	NPDS004	#N/A	#N/A	Pin	Eye	N/A
63113	600	370	NPSMP027		NPSMP001	NPDS004	#N/A	#N/A	Eye	Pin	N/A
63114	609	370	NPSMP001		NPSMP056	NPDS004	#N/A	#N/A	Pin	Eye	N/A
63116	551	342	NPSMP013		NPSMP013	NPDS004	#N/A	#N/A	Eye	Eye	N/A
63117	551	342	NPSMP013		NPSMP013	NPDS004	#N/A	#N/A	Eye	Eye	N/A
63121	618	372	NPSMP001		NPSMP030	NPDS004	#N/A	#N/A	Pin	Eye	N/A
63122	783	455	NPSMP026		NPSMP036	NPDS014	#N/A	#N/A	Eye	Eye	N/A
63123	558	342	NPSMP001		NPSMP030	NPDS013	#N/A	#N/A	Pin	Eye	N/A
63124	584	413	NPSMP028		#N/A	#N/A	#N/A	#N/A	Pin	Clevis	N/A
63125	584	413	NPSMP028		#N/A	#N/A	#N/A	#N/A	Pin	Clevis	N/A
63126	540	382	NPSMP029		#N/A	#N/A	#N/A	#N/A	Pin	Clevis	N/A
63127	540	382	NPSMP029		#N/A	#N/A	#N/A	#N/A	Pin	Clevis	N/A
63130	588	359	NPSMP004		NPSMP044	NPDS004	#N/A	#N/A	Pin	Eye	N/A
63131	588	359	NPSMP004		NPSMP044	NPDS004	#N/A	#N/A	Pin	Eye	N/A
63132	628	389	NPSMP003 (1 kit req)			NPDS004	#N/A	#N/A	Eye	Eye	N/A
63133	628	389	NPSMP003 (1 kit req)			NPDS004	#N/A	#N/A	Eye	Eye	N/A
63134	615	372	NPSMP013	NPSMP013		NPDS004	#N/A	#N/A	Eye	Eye	N/A
63135	646	392	NPSMP013	NPSMP013		NPDS004	#N/A	#N/A	Eye	Eye	N/A
63136	608	378	NPSMP013	NPSMP046		NPDS004	#N/A	#N/A	Eye	Eye	N/A
63137	608	378	NPSMP013	NPSMP046		NPDS004	#N/A	#N/A	Eye	Eye	N/A
63138	531	342	NPSMP008	NPSMP008		NPDS011	#N/A	#N/A	Eye	Eye	N/A
63139	531	342	NPSMP008	NPSMP008		NPDS011	#N/A	#N/A	Eye	Eye	N/A
63140	531	342	NPSMP008	NPSMP008		NPDS011	#N/A	#N/A	Eye	Eye	N/A
63141	580	351	NPSMP004	NPSMP045		NPDS004	#N/A	#N/A	Pin	Eye	N/A
63142	580	351	NPSMP004	NPSMP045		NPDS004	#N/A	#N/A	Pin	Eye	N/A
63144	590	352	NPSMP028	NPSMP057		#N/A	#N/A	#N/A	Pin	Eye	N/A
63145	590	352	NPSMP028	NPSMP057		#N/A	#N/A	#N/A	Pin	Eye	N/A
63146	535	321	NPSMP014	NPSMP014		NPDS004	#N/A	#N/A	Pin	Pin	N/A
63147	535	321	NPSMP014	NPSMP014		NPDS004	#N/A	#N/A	Pin	Pin	N/A
63148	588	373	NPSMP030	NPSMP030		NPDS004	#N/A	#N/A	Eye	Eye	N/A
63149	588	373	NPSMP030	NPSMP030		NPDS004	#N/A	#N/A	Eye	Eye	N/A
63150	690	444	NPSMP031	NPSMP012		NPDS014	#N/A	#N/A	Eye	Eye	N/A
63151	725	459	NPSMP031	NPSMP012		NPDS014	#N/A	#N/A	Eye	Eye	N/A
63152	498	366	NPSMP028	#N/A		#N/A	#N/A	#N/A	Pin	Clevis	NPSMP077
63153	498	366	NPSMP028	#N/A		#N/A	#N/A	#N/A	Pin	Clevis	NPSMP077
63154	450	285	NPSMP004	NPSMP032		NPDS011	#N/A	#N/A	Pin	Eye	N/A
63155	506	323	NPSMP032	NPSMP032		NPDS011	#N/A	#N/A	Eye	Eye	N/A
63156	621	386	NPSMP022	NPSMP022		NPDS004	#N/A	#N/A	Eye	Eye	N/A
63157	621	386	NPSMP022	NPSMP022		NPDS004	#N/A	#N/A	Eye	Eye	N/A
63160	628	399	NPSMP031	NPSMP012		NPDS017	#N/A	#N/A	Eye	Eye	N/A
63161	693	444	NPSMP031	NPSMP012		NPDS014	#N/A	#N/A	Eye	Eye	N/A
63162	628	399	NPSMP031	NPSMP012		NPDS017	#N/A	#N/A	Eye	Eye	N/A
63163	693	444	NPSMP031	NPSMP012		NPDS014	#N/A	#N/A	Eye	Eye	N/A
63164	698	423	NPSMP034	NPSMP034		NPDS014	#N/A	#N/A	Eye	Eye	N/A
63165	698	423	NPSMP034	NPSMP034		NPDS014	#N/A	#N/A	Eye	Eye	N/A
63167	611	372	NPSMP013	NPSMP013		NPDS004	#N/A	#N/A	Eye	Eye	NPSMP018
63168	611	372	NPSMP013	NPSMP013		NPDS004	#N/A	#N/A	Eye	Eye	NPSMP018
63172	660	422	NPSMP022	NPSMP022		NPDS017	#N/A	#N/A	Eye	Eye	N/A
63173	660	422	NPSMP022	NPSMP022		NPDS017	#N/A	#N/A	Eye	Eye	N/A
63174	590	352	NPSMP028	NPSMP057		#N/A	#N/A	#N/A	Pin	Eye	N/A
63175	590	352	NPSMP028	NPSMP057		#N/A	#N/A	#N/A	Pin	Eye	N/A
63176	670	395	NPSMP001	NPSMP045		NPDS017	#N/A	#N/A	Pin	Eye	N/A
63177	670	395	NPSMP001	NPSMP045		NPDS017	#N/A	#N/A	Pin	Eye	N/A

cont.

SPECIFICATIONS - SHOCK ABSORBERS

NITROCHARGER PLUS

Part Number	Open Length (mm)	Closed Length (mm)	Upper Mount Kit	Lower Mount Kit	Dirt Shield	Spring Seat	Spring Seat Spacer Kit / Snap Ring	SMP Type		Other SMP Kit
								Top/Bottom		
63178	660	422	NPSMP022	NPSMP022	NPDS017	#N/A	#N/A	Eye	Eye	N/A
63381	675	404	NPSMP001	NPSMP045	NPDS014	#N/A	#N/A	Pin	Eye	N/A
63382	675	404	NPSMP001	NPSMP045	NPDS014	#N/A	#N/A	Pin	Eye	N/A
63383	497	314	NPSMP004	NPSMP036	NPDS011	#N/A	#N/A	Pin	Eye	N/A
63385	590	373	NPSMP035	NPSMP035	NPDS008	#N/A	#N/A	Eye	Eye	N/A
63386	497	314	NPSMP004	NPSMP058	NPDS011	#N/A	#N/A	Pin	Eye	N/A
63387	478	302	NPSMP004	NPSMP025	NPDS011	#N/A	#N/A	Pin	Eye	N/A
63388	492	318	NPSMP025	NPSMP025	NPDS011	#N/A	#N/A	Eye	Eye	N/A
63389	389	256	NPSMP004	NPSMP025	NPDS008	#N/A	#N/A	Pin	Eye	N/A
63390	462	302	NPSMP025	NPSMP025	NPDS011	#N/A	#N/A	Eye	Eye	NPSMP018
63391	389	256	NPSMP004	NPSMP025	NPDS008	#N/A	#N/A	Pin	Eye	N/A
63392	558	351	NPSMP036	NPSMP036	NPDS011	#N/A	#N/A	Eye	Eye	N/A
63393	463	293	NPSMP005	NPSMP014	NPDS015	#N/A	#N/A	Eye	Pin	N/A
63394	447	292	NPSMP005	NPSMP005	NPDS015	#N/A	#N/A	Eye	Eye	N/A
63396	652	398	NPSMP073	NPSMP074	NPDS007	#N/A	#N/A	Eye	Eye	N/A
63397	652	398	NPSMP073	NPSMP074	NPDS007	#N/A	#N/A	Eye	Eye	N/A
63398	450	286	NPSMP004	NPSMP032	NPDS023	#N/A	#N/A	Pin	Eye	N/A
63399	506	324	NPSMP032	NPSMP032	NPDS011	#N/A	#N/A	Eye	Eye	N/A
63401	652	402	NPSMP005	NPSMP005	NPDS004	#N/A	#N/A	Eye	Eye	N/A
63402	660	422	NPSMP022	NPSMP022	NPDS017	#N/A	#N/A	Eye	Eye	N/A
63403	660	422	NPSMP022	NPSMP022	NPDS017	#N/A	#N/A	Eye	Eye	N/A
63404	450	286	NPSMP004	NPSMP032	NPDS011	#N/A	#N/A	Pin	Eye	N/A
63405	506	324	NPSMP032	NPSMP032	NPDS011	#N/A	#N/A	Eye	Eye	N/A
63407	620	380	NPSMP005	NPSMP075	NPDS004	#N/A	#N/A	Eye	Eye	N/A
63408	620	380	NPSMP005	NPSMP075	NPDS004	#N/A	#N/A	Eye	Eye	N/A
93000	563	426	NPSMP028	NPSMP059	NPDS019	NPSS01	NPSR01	Pin	Eye	N/A
93002	563	436	N/A	NPSMP059	NPDS019	NPSS01	NPSR01	Pin	Eye	N/A
93003	387	283	NPSMP028	npsmp063	NPDS019	NPSS01	NPSR01	Pin	Eye	N/A
93004	467	339	NPSMP006	NPSMP059	NPDS019	NPSS01	NPSR01	Pin	Eye	N/A
93005	605	429	N/A	NPSMP061	NPDS022	NPSS01	NPSR01	Pin	Eye	N/A
93006	471	327	NPSMP040	NPSMP062	#N/A	NPSS02	NPSR02	Pin	Eye	N/A
93007	471	327	NPSMP040	NPSMP062	#N/A	NPSS02	NPSR02	Pin	Eye	N/A
93008	423	303	NPSMP040	NPSMP062	#N/A	NPSS02	NPSR02	Pin	Eye	N/A
93009	321	205	NPSMP040	#N/A	NPDS021	NPSS02	NPSR02	Pin	OE	N/A
93010	563	428	NPSMP028	NPSMP063	NPDS019	NPSS01	NPSR01	Pin	Eye	N/A
93011	563	436	N/A	NPSMP059	NPDS019	NPSS01	NPSR01	Pin	Eye	N/A
93012	612	482	NPSMP028	#N/A	#N/A	NPSS02	NPSR02	Pin	Clevis	N/A
93013	612	482	NPSMP028	#N/A	#N/A	NPSS02	NPSR02	Pin	Clevis	N/A
93017	605	429	N/A	NPSMP061	NPDS022	NPSS01	NPSR01	Pin	Eye	N/A
93018	609	456	NPSMP028	NPSMP064	NPDS019	NPSS01	NPSR01	Pin	Eye	N/A
93019	497	367	NPSMP028	NPSMP065	NPDS019	NPSS01	NPSR01	Pin	Eye	N/A
93020	497	367	NPSMP028	NPSMP065	NPDS019	NPSS01	NPSR01	Pin	Eye	N/A
93022	491	351	NPSMP028	NPSMP059	NPDS019	NPSS01	NPSR01	Pin	Eye	N/A
93023	491	351	NPSMP028	NPSMP059	NPDS019	NPSS01	NPSR01	Pin	Eye	N/A
93026	814	666	NPSMP028	#N/A	#N/A	NPSS01	NPSR01	Pin	Clevis	N/A
93028	558	428	N/A	NPSMP063	NPDS019	NPSS01	NPSR01	Pin	Eye	N/A
93029	558	428	N/A	NPSMP063	NPDS019	NPSS01	NPSR01	Pin	Eye	N/A
93031	423	303	NPSMP040	NPSMP062	#N/A	NPSS02	NPSR02	Pin	Eye	N/A
93032	392	294	NPSMP028	NPSMP063	NPDS019	NPSS01	NPSR01	Pin	Eye	N/A
93033	423	303	NPSMP040	NPSMP062	#N/A	NPSS02	NPSR02	Pin	Eye	N/A
93035	814	666	NPSMP028	#N/A	#N/A	NPSS01	NPSR01	Pin	Clevis	N/A
93036	814	666	NPSMP028	#N/A	#N/A	NPSS01	NPSR01	Pin	Clevis	N/A
93037	494	366	NPSMP040	NPSMP059	NPDS022	NPSS01	NPSR01	Pin	Eye	N/A
93038	493	378	NPSMP028	NPSMP066	#N/A	NPSS01	NPSR01	Pin	Eye	N/A
93039	493	378	NPSMP028	NPSMP066	#N/A	NPSS01	NPSR01	Pin	Eye	N/A
93040	510	353	NPSMP042	NPSMP067	#N/A	NPSS01	NPSR01	Pin	Eye*	N/A
93044	539	392	NPSMP028	#N/A	#N/A	NPSS01	NPSR01	Pin	Clevis	N/A

cont.

SPECIFICATIONS - SHOCK ABSORBERS

NITROCHARGER PLUS

Part Number	Open Length (mm)	Closed Length (mm)	Upper Mount Kit	Lower Mount Kit	Dirt Shield	Spring Seat	Spring Seat Spacer Kit / Snap Ring	SMP Type		Other SMP Kit
								Top/Bottom		
93045	501	351	NPSMP028	NPSMP059	NPDS019	NPSS01	NPSR01	Pin	Eye	N/A
93046	501	351	NPSMP028	NPSMP059	NPDS019	NPSS01	NPSR01	Pin	Eye	N/A
93047	574	405	NPSMP028	NPSMP067	#N/A	NPSS01	NPSR01	Pin	Eye*	N/A
93048	688	427	NPSMP028	NPSMP068	#N/A	NPSS01	NPSR01	Pin	Eye	N/A
93051	583	386	NPSMP028	NPSMP066	#N/A	NPSS01	NPSR01	Pin	Eye	N/A
93052	560	391	NPSMP028	NPSMP069	#N/A	NPSS01	NPSR01	Pin	Eye*	N/A
93053	560	391	NPSMP028	NPSMP069	#N/A	NPSS01	NPSR01	Pin	Eye*	N/A
93054	625	447	NPSMP043	NPSMP070	NPDS022	NPSS01	NPSR01	Pin	Eye	N/A
93055	625	447	NPSMP043	NPSMP070	NPDS022	NPSS01	NPSR01	Pin	Eye	N/A
93192	550	400	NPSMP043	NPSMP078	NPDS019	NPSS01	NPSR01	Pin	Eye	N/A
93193	550	400	NPSMP043	NPSMP078	NPDS019	NPSS01	NPSR01	Pin	Eye	N/A
93194	473	339	NPSMP040	NPSMP071	#N/A	NPSS01	NPSR01	Pin	Eye	N/A
93195	501	318	NPSMP043	#N/A	#N/A	#N/A	#N/A	Pin	Clevis	N/A
93196	593	393	NPSMP028	#N/A	#N/A	#N/A	#N/A	Pin	Clevis	N/A
93197	593	393	NPSMP028	#N/A	#N/A	#N/A	#N/A	Pin	Clevis	N/A
93198	516	353	NPSMP040	#N/A	#N/A	#N/A	#N/A	Pin	Clevis	N/A
93199	516	353	NPSMP040	#N/A	#N/A	#N/A	#N/A	Pin	Clevis	N/A
93400	560	391	NPSMP028	NPSMP069	#N/A	NPSS01	NPSR01	Pin	Eye*	N/A
93401	560	391	NPSMP028	NPSMP069	#N/A	NPSS01	NPSR01	Pin	Eye*	N/A
93402	560	391	NPSMP069	NPSMP067	#N/A	#N/A	#N/A	Pin	Eye	NPSMP069
93403	558	428	NPSMP028	NPSMP063	NPDS019	#N/A	#N/A	Pin	Eye	N/A
93404	480	390	NPSMP040	NPSMP062	NPDS019	NPSS01	NPSR01	Pin	Eye	N/A
93405	480	390	NPSMP040	NPSMP062	NPDS019	NPSS01	NPSR01	Pin	Eye	N/A
93413	480	390	NPSMP040	NPSMP062	E4-SR1-Z012A06	NPSS01	NPSR01	Pin	Eye	N/A

CONTROL ARMS

SPARE PARTS

SWAY BARS	D BUSH	EYE BUSH	LINK	LINK BUSH
¹ OMESTAB2	OMESB3020 (PR)		OMESB3012 (PR)	
OMESTAB3	OMESB3013 (PR)	OMESB3016 (PR)	N/A	N/A
OMESTAB4	OMESB3017 (PR)		N/A	N/A
OMESTAB5	OMESB3018 (PR)	OMESB3016 (PR)	OMESB3019 (EA)	OMESB3021 (PR)
OMESTAB6	OMESB3017 (PR)	OMESB3016 (PR)	OMESB3019 (EA)	OMESB3021 (PR)
OMESTAB7				
OMESTAB8				
OMESTAB9	OMESB3020 (PR)	OMESB3016 (PR)	OMESB3019 (EA)	OMESB3021 (PR)
OMESTAB10	OMESB3013	N/A	N/A	N/A

1. When remaining stock of OMESTAB2 is exhausted, no further product will be available.

PANHARD RODS	D BUSH	EYE BUSH	UNIT	LINK	LINK BUSH
PANRJL001	N/A	OMESB3031 (2pk)		N/A	N/A
PANRJL002	N/A	OMESB3030 (2pk)		N/A	N/A
PANRJK002	N/A	OMESB3030 (2pk)		N/A	N/A
PANRJK003	N/A	OMESB3030 (2pk)		N/A	N/A
PANR004	N/A	OMESB0054	2 EYELETS	N/A	N/A
¹ PAN3097A	N/A	OMESB0054	2 EYELETS	N/A	N/A
PANR005	N/A	OMESB0054	2 EYELETS	N/A	N/A
PANR028X	N/A	OME3098 x 1 OMESB0054 x 1	1 SPHERICAL 1 EYELET	N/A	N/A
PANR029X	N/A	OME3098 x 1 OMESB0054 x 1	1 SPHERICAL 1 EYELET	N/A	N/A
PANR007	N/A	OMESB0046	2 EYELETS	N/A	N/A
PANR008	N/A	OMESB0053	2 EYELETS	N/A	N/A
PAN3050	N/A	OMESB0046	1 EYELET	N/A	N/A

1. When remaining stock of PAN3097A is exhausted, no further product will be available.

UPPER CONTROL ARMS	BUSH KIT 2PK	BALL JOINT INC. BOOT & HARDWARE	BOOTS 2PK	UCA CAP Single
UCA0001	UCASP001	UCASP002	UCASP003	3460025
UCA0002	UCASP004	UCASP005	UCASP006	3460024
UCA0003	UCASP007	UCASP008	UCASP009	3460026
UCA0004	UCASP010	UCASP002	UCASP011	3460025
UCA0005	UCASP012	UCASP013	UCASP014	3460025
UCA0006	UCASP016	UCASP015	UCASP027	3460025
UCA0007	UCASP018	UCASP017	UCASP028	N/A
UCA0008	UCASP020	UCASP019	UCASP029	N/A
UCA0009	UCASP022	UCASP021	UCASP028	3460025
UCA0010	UCASP024	UCASP023	UCASP003	3460025
UCA0011	UCASP026	UCASP025	UCASP030	3460025

CONTROL ARMS	BUSH PART#	UNIT
LCAJLFR	OMESB3034	SINGLE
LCAJKFR	OMESB3024	SINGLE
LCAJKRR	OMESB3024	SINGLE
LTA3043	OMESB3029	PAIR
LTA3044	OMESB3028	PAIR
UCAJLFR	OMESB3033	SINGLE
UCAJKFR	OMESB3025	SINGLE
UCAJKRR	OMESB3026	SINGLE
UTA3036	OMESB3027	PAIR
UTAA106	OMESB3027	PAIR

SPECIFICATIONS - STABILISERS

STEERING STABILISERS

Part Number	Upper Mount Type (mm)	Lower Mount Type (mm)	Open Length (mm)	Closed Length (mm)	Mounting Kit No.	No. of Kits	OME Bush Kit
OMESD01	Eye with Bush	Eye with Bush	552	342	142995	1	
OMESD02	Eye with Bush & Sleeve	Eye with Bush & Sleeve	655	394	No Kit		
OMESD11	Pin 60 x 9.5	Pin 60 x 9.5	516	308	140276	1	
OMESD16 ¹	Pin 60 x 9.5	Pin 60 x 9.5	535	314	140276	1	
OMESD17 ¹	Eye with Bush	Eye with Bush	622	373	142387	1	
OMESD21	Pin 60 x 9.5	Eye with Bush	542	340	140504	1	
OMESD22	Eye with Bush	Eye with Bush	537	328	No Kit		OMEB14
OMESD23	Eye with Bush	Eye with Bush	454	316	142995	1	
OMESD24	Eye with Bush	Eye with Bush	651	417	142995	1	
OMESD30	Eye with Bush & Sleeve	Eye with Bush & Sleeve	448	290	No Kit		
OMESD31 ¹	Eye with Bush & Sleeve	Eye with Bush & Sleeve	577	392	No Kit		
OMESD32	Pin 60 x 9.5	Eye with Bush & Sleeve	680	440	500555	1	
OMESD33	Eye with Bush & Mounting Pin	Eye with Bush	611	364	140953	1	
OMESD34	Eye with Bush & Sleeve	Eye with Bush	575	347	No Kit		
OMESD35 ¹	Eye with Bush & Sleeve	Eye with Bush & Sleeve	503	311	No Kit		
OMESD36	Pin 60 x 9.5	Pin 60 x 9.5	484	289	140276	1	
OMESD40	Eye with Bush	Eye with Bush & Sleeve	499	309	500498	1	
OMESD47	Eye with Bush	Eye with Bush	750	510	142995	1	
OMESD48	Eye with Bush	Eye with Bush & Sleeve	499	310	500498	1	142864 (Boot)

1. When remaining stock is exhausted no further product will be available.

SPECIFICATIONS - AIR BAGS

AIR BAGS

AIR BAG Specifications (Same for all models)							
Pressure (PSI)	20	40	60	80	100	Max Pressure (each)	45PSI
OD (mm)	≤170	≤170	≤170	≤175	≤175	Max Angle (each)	6 degrees
Load (KN)	≥1.4	≥2.8	≥4.5	≥6.1	≥7.8	Travel Range	+- 50mm
Load (kfg)	≥143	≥286	≥459	≥622	≥795	Height Range	200mm - 100mm

Part Number	Description	Comments
OMEAB***	Air Bag Kit	Air Bag Kit (Includes manual inflation options)
OME666	Air Line Extension 5m	Air Line 6mm - 5m Length
OME667	Air Line Extension 5m	Air Line 8mm - 5m Length
0830002	Bluetooth Control Module	Bluetooth control via app (On-board compressor required)
7450107	LINX Pressure Control Kit	Pressure control via LINX Display (LINX & On-board compressor required)
7450109	LINX Airbag Isolation Kit	Allows individual control of each air bag (LINX & On-board compressor required)
180425	LINX Solenoid Harness	Required when installing purge control kit to LINX
OMEABK001	Purge Control Kit	Allows electronic control of the purge function via BT control or LINX P# 830002 or 7450109 is required for this module to be installed

Control Method	Purge Method	Required Parts	Comments
Manual	Manual	N/A	No extra components required
Bluetooth App	Manual	0830002	ARB On-Board Air Comp required
Bluetooth App	Bluetooth App	083002 & OMEABK001	ARB On-Board Air Comp required
LINX	Manual	7450107 & 7450109	LINX & ARB On-Board Air Comp required
LINX	LINX	7450107/ 7450109 & 180425	LINX & ARB On-Board Air Comp required

SPARE PARTS	
PART NUMBER	DESCRIPTION
OMEAB001SL	AIR BAG SPARE BRACKET KIT SUITS HILUX 2015 ON LH
OMEAB001SR	AIR BAG SPARE BRACKET KIT SUITS HILUX 2015 ON RH
OMEAB003S	AIR BAG SPARE BRACKET KIT SUITS 70S ONE SIDE ONLY
OMEAB004SL	AIR BAG SPARE BRACKET KIT SUITS RANGER PY LH
OMEAB004SR	AIR BAG SPARE BRACKET KIT SUITS RANGER PY RH
OMEAB005SL	AIR BAG SPARE BRACKET KIT SUITS DMAX/BT50 21ON LH
OMEAB005SR	AIR BAG SPARE BRACKET KIT SUITS DMAX/BT50 21ON RH
OMEAB01F	AIR BAG 90 ELBOW FITTING
OMEAB02F	AIR BAG TEE FITTING
OMEAB03F	AIR BAG STRAIGHT FITTING
OMEAB04F	AIR BAG BALL VALVE
OMEAB05F	AIR BAG SILENCER
OMEAB06F	AIR BAG AIRLINE CONNNECTOR
OMEAB07F	AIR BAG INFLATION VALVE
OMEABS	AIR BAG SINGLE UNIT, NO HARDWARE INC

RECOMMENDED FITTING TIMES

COIL SPRINGS SYSTEMS

All Coil Spring Models (Except Land Rovers) Fitment of 4 Shock Absorbers & 4 OME coil springs	2.0 hours
Land Rover All Coil Spring Models Fitment of all the above plus additional time to remove front shock absorber towers	3.0 hours
Torsion Bar Front with Rear Coil Suspension Fitment of 4 Shock Absorbers, 2 OME coil springs & front torsion bar adjustment	2.0 hours
Coil Front with Rear Leaf Suspension Fitment of 4 Shock Absorbers, 2 OME coil springs & 2 OME leaf springs	3.5 hours
Coil Over Front Strut with Rear Coil Suspension Fitment of 2 Shock Absorbers, 2 OME struts & 4 OME coil springs	3.0 hours
Coil over Front Strut with Leaf Rear Springs Fitment of 2 Shock Absorbers, 2 struts, 2 coils & 2 leaf Springs	4.5 hours

LEAF SPRING SYSTEMS

All Leaf spring Models (Except HiLux) Fitment of 4 Shock Absorbers, 4 OME leaf springs, and U bolts and spring bushes as required	5.0 hours
Toyota HiLux All Leaf Spring Models Fitment of all the above plus additional work required to strengthen front spring seat mount	6.0 hours
Front Torsion Bar with Rear Leaf Spring Models Fitment of 4 Shock Absorbers, 2 OME rear leaf springs, U bolts, spring bushes and front torsion bar adjustment	3.0 hours

CARTRIDGE REPLACEMENT

Additional work required to install cartridge per strut	0.5 hours
---	-----------

TORSION BARS

Remove and replace a set of bars (no removal complications)	1.5 hours
Remove and replace a set of bars (removal complications eg. OE splines corroded)	2.5 hours

MISCELLANEOUS

Caster kits	2.0 hours
Steering stabilisers	0.5 hours
Greasable shackles per set of springs	1.0 hours
Greasable pin per set of springs	0.5 hours

FRONT END WHEEL ALIGNMENT ADJUSTMENTS

	JDE PART #
Live axle front end	WHAL
Independent front end	WHALIFS
Independent rear end	WHALIFS

The above fitting times are only a guide, and additional time may be involved due to vehicle modifications or pre-existing accessories which can interfere with the fitment of the suspension.

FIT TIMES BY VEHICLE

Make	Model	Springs, shocks/ struts & shackles/ pins/fit kits	Bp Fit Kit	Caster Kit	Steering Stabiliser	Comments
Chrysler	Grand Cherokee WK2	3.0 hrs				
	Grand Cherokee WH & WK	3.0 hrs				
	Grand Cherokee WJ & WG	3.0 hrs				Add 1 hr if fitting OMESTAB1
	Grand Cherokee ZJ	3.0 hrs			0.5 hr	
	Commander XK	3.0 hrs				
	Cherokee XJ Wagon	3.5 hrs			0.5 hr	
	Cherokee/Liberty KK	3.0 hrs				
	Cherokee/Liberty KJ	3.0 hrs				
	Wrangler TJ	3.0 hrs			0.5 hr	
	Wrangler YJ	5.0 hrs			0.5 hr	
	Wrangler JL	2.0 hrs	1.0 hr	1.0 hr	0.5 hr	2 inch lift
	Wrangler JK	2.0 hrs	1.0 hr	1.0 hr	0.5 hr	2 inch lift
Dodge RAM 1500 DS	3.0hrs					
Ford	Ranger 2022 on	4.5 hrs	1.0 hr			
	Ranger PX 1,2,3	4.5 hrs	1.0 hr			
	Ranger PJ/PK	4.0 hrs				
	Ranger Raptor	3.0 hrs				
	Bronco LWB 2021 On	4.0 hrs				
	Courier/Ranger 1 tonne	4.0 hrs				
	Everest	3.0 hrs				
	F250/F350 2011 to 2017	7.0 hrs				Includes all bracket kits
	F250/F350 2008 to 2010	7.0 hrs				Includes all bracket kits
F250/F350 2005 to 2008	3.5 hrs		1.0 hr			
F250/F350 1999 to 2004	5.0 hrs					
Holden/Isuzu/GM	Jackaroo 2001 to 2004	2.0 hrs				
	Jackaroo 1992 to 2001	2.0 hrs				
	Jackaroo 1982 to 1992	4.0 hrs				
	Frontera 1999 to 2003	2.0 hrs				
	Frontera 1995 to 1998	2.0 hrs				
	MUX 2021 on	3.0 hrs				
	Trailblazer/Colorado 7/MUX to 20	3.0 hrs				
	Colorado/Canyon 2015 on	4.5 hrs				
	Dmax 2021 on	4.5 hrs	1.0 hr			
	Dmax 12 to 20/Colorado 12 on	4.5 hrs	1.0 hr			
	Dmax/Colorado/Rodeo	4.0 hrs				
	Rodeo/Dmax to 2003	4.0 hrs				
Drover	5.0 hrs			0.5 hr		
Hummer	H3	4.0 hrs				
Hyundai	Terracan	2.0 hrs				
Kia	Sorrento	3.0 hrs				
Lada	Niva	2.0 hrs				
Land Rover	Discovery 3	3.0 hrs				
	Discovery 1999 to 2004	3.0 hrs			0.5 hr	
	Discovery/Range Rover	3.0 hrs		2.0 hrs	0.5 hr	
	Defender 110	3.0 hrs		2.0 hrs	0.5 hr	
	Defender 110 long travel	4.0 hrs	2.0 hrs	2.0 hrs	0.5 hr	
	Defender 130	3.0 hrs		2.0 hrs	0.5 hr	
	90 series	3.0 hrs		2.0 hrs	0.5 hr	
Mazda	BT-50 2021 on	4.5 hrs	1.0 hr			
	BT-50 2011 to 2020	4.5 hrs	1.0 hr			
	BT-50 1 tonne 2006 to 2011	4.0 hrs				
	B Series 1 tonne 1987 to 2006	4.0 hrs				
Mercedes	G Wagon	2.0 hrs				
Mitsubishi	Pajero Sport 2015 on	3.0 hrs				
	Pajero/Montero 2007 on	3.0 hrs				
	Pajero/Montero 2000 to 2006	3.0 hrs				
	Pajero/Montero 1991 to 1999	4.0 hrs				Leaf Spring rear
	Pajero/Montero 1991 to 1999	3.0 hrs				Coil Spring rear
	Pajero/Montero to 1991	4.0 hrs				

cont.

FIT TIMES BY VEHICLE

Make	Model	Springs, shocks/ struts & shackles/ pins/fit kits	Bp Fit Kit	Caster Kit	Steering Stabiliser	Comments
Mitsubishi (cont.)	Pajero Challenger 1989 to 1991	3.0 hrs				
	Triton/L200 MR & MQ	4.5 hrs				
	Triton/L200 ML & MN	4.5 hrs				
	Triton/L200 MK	4.0 hrs				
	Triton/L200 to 1996	3.0 hrs				
	Challenger 2010 to 2015	3.0 hrs				
	Challenger 2000 to 2008	3.0 hrs				
	Challenger 1998 to 2000	4.0 hrs				
Nissan	Patrol Y62	3.0 hrs	1.0 hr			
	GU Patrol	2.0 hrs	1.0 hr	2.0 hrs	0.5 hr	Coil/Coil
	GU Patrol	3.5 hrs		2.0 hrs	0.5 hr	Coil Leaf
	GQ Patrol	2.0 hrs	1.0 hr	2.0 hrs	0.5 hr	Coil/Coil
	GU Patrol	5.0 hrs			0.5 hr	Leaf/Leaf
	MQ 260 Patrol	5.0 hrs				
	MQ M60 Patrol	5.0 hrs			0.5 hr	
	Navara NP300 15 on S1, 2, 3, 4, 5	3.0 hrs				Coil Spring rear
	Navara NP300 15 on S1, 2, 3, 4, 5	4.5 hrs				Leaf Spring rear
	Navara D40	4.0 hrs				
	Navara D22	4.0 hrs				
	Navara D21	4.0 hrs			0.5 hr	
	Pathfinder R51	3.0 hrs				
	Pathfinder R50	3.0 hrs				
	Pathfinder to 1995	2.0 hrs				
Terrano	2.0 hrs					
Xterra	4.0 hrs					
Ssangyong	Musso 1995 to 2005	2.0 hrs				
Suzuki	Grand Vitara 2005 to 2015	3.0 hrs				
	Grand Vitara to 2005	3.0 hrs				
	Vitara Wagon 1988 to 2005	3.0 hrs				
	Vitara Wagon 1988 to 2005	3.0 hrs				
	XL7	3.0 hrs				
	Equator	4.0 hrs				
	Sierra/Samurai	5.0 hrs			0.5 hr	
	Santana Samurai	5.0 hrs			0.5 hr	
	Jimny 2018 on	2.0 hrs		2.0 hrs		
	Jimny to 2017	2.0 hrs				
Toyota	300 Series	3.0 hrs	1.0 hr			
	200 Series	3.0 hrs	1.0 hr			
	100 Series IFS	3.0 hrs				
	105 Series / 80 Series	2.0 hrs	1.0 hr	2.0 hrs	0.5 hrs	
	Prado 150	3.0 hrs	1.0 hr			
	Prado 120	3.0 hrs	1.0 hr			
	Prado 90	3.0 hrs				
	Tundra	4.5 hrs	1.0 hr			
	FJ Cruiser	3.0 hrs	1.0 hr			
	Fortuner	3.0 hrs				
	70 Series Dual Cab	3.5 hrs	1.0 hr	2.0 hrs	0.5 hr	Add 1 hr if fitting OMESTAB9
	76 Series Wagon	3.5 hrs	1.0 hr	2.0 hrs	0.5 hr	
	78 Series	3.5 hrs	1.0 hr	2.0 hrs	0.5 hr	Add 1 hr if fitting OMESTAB9
	79 Series Single Cab	3.5 hrs	1.0 hr	2.0 hrs	0.5 hr	Add 1 hr if fitting OMESTAB9
	75 Series	5.0 hrs			0.5 hr	
	HZJ71 & HZJ74	3.5 hrs		2.0 hrs	0.5 hr	
	Landcruiser 11 Wagon	2.0 hrs				
	Bundera RJ70	2.0 hrs				
	70, 73, 74 Series	5.0 hrs			0.5 hr	
	60, 61, 62 Series	5.0 hrs			0.5 hr	
	45, 47 Series	5.0 hrs			0.5 hr	
40, 42 Series	5.0 hrs			0.5 hr		
Tacoma 2016 on	4.5 hrs	1.0 hr				

cont.

FIT TIMES BY VEHICLE

Make	Model	Springs, shocks/ struts & shackles/ pins/fit kits	Bp Fit Kit	Caster Kit	Steering Stabiliser	Comments
Toyota (cont.)	Tacoma 2005 to 2015	4.5 hrs	1.0 hr			
	Tacoma 1998 to 2004	4.0 hrs				
	Hilux Rogue/GR Wide Track	4.5 hrs	1.0 hr			2022 On (AUS SPEC)
	Hilux 2015 on	4.5 hrs	1.0 hr			
	Hilux 2005 to 2015	4.5 hrs	1.0 hr			
	Hilux/Tiger 1997 to 2004	4.0 hrs			0.5 hr	
	Hilux and 4Runner Pre 1997	6.0 hrs			0.5 hr	All Leaf models
	Hilux Pres 1997 EC and DC SR5	4.0 hrs			0.5 hr	IFS front, leaf rear
	4 Runner 2010 on US model	3.0 hrs	1.0 hr			
	4 Runner 2003 to 2010 US model	3.0 hrs				
	4 Runner/Surf 1996 to 2002 US	3.0 hrs				
	4 Runner 1990 to 1996	3.0 hrs			0.5 hr	IFS front, coil rear
	4 Runner 1986 to 1990	4.0 hrs			0.5 hr	IFS front, leaf rear
Volkswagen	Amarok 2022 on	4.5 hrs	1.0 hr			
	Amarok 2010 on	5.0 hrs				

Distributed by:

AIR LOCKER INC. (ARB USA)

AUBURN

4810 D St NW #103,
Auburn WA 98001, USA

T +1 425 264 1391

E sales@arbusa.com

W arbusa.com

AIR LOCKER INC. (ARB USA)

JACKSONVILLE

3700 Port Jacksonville Pkwy Suite #1,
Jacksonville FL 32226, USA

T (904) 379 8216

F (904) 813 7197

E sales@arbusa.com

W arbusa.com

ARB OFFROAD LTD

(ARB THAILAND)

Eastern Seaboard Industrial Estate
Building GW 1, 2nd Floor 300/56,
Moo 1, T.Tasit,
A Pluakdaeng
Rayong 21140, Thailand

T +66 38 929 672

E sales.thailand@arb.com.au

W arb.co.th

ARB EUROPE S.R.O

Na Dlouhém č.80,
DC2 251 01

Říčany - Jažlovice
Czech Republic

T +420-323-040-900

E sales@arbeurope.com

W arbeurope.com

ARB MIDDLE EAST FZE

13, N204, JAFZA – (North Zone),
Jebel Ali Freezone,
Dubai, United Arab Emirates

T +971 4 880 7005

E purchasingmena@arb.com.au

W arbmiddleeast.com

ARB NEW ZEALAND

205 Ellis St, Frankton
Hamilton 3204, New Zealand

T +64 7 847 3524

E nzsales@arb.com.au

W arb.co.nz

HEAD OFFICE: ARB 4X4 ACCESSORIES

42-44 Garden Street,
Kilsyth Victoria 3137 Australia

T +61 3 9761 6622 **F** +61 3 9761 6607

E exports@arb.com.au **W** arb.com.au

